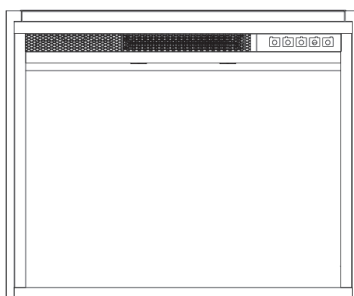




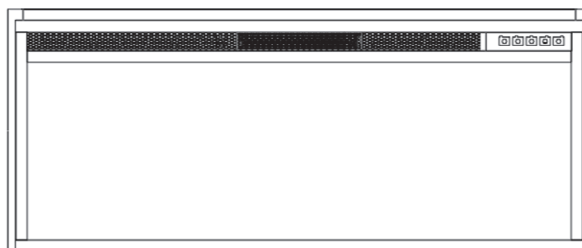
ArtiFlame

IMPRESSIVE LOOK OF YOUR ROOM

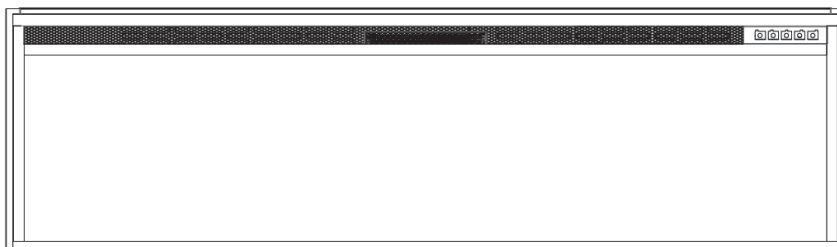
AF24 MULTICOLOR



AF38 MULTICOLOR



AF58 MULTICOLOR



(EN)	Built-in electric fireplace insert heater	User manual	1
(PL)	Wkład kominkowy elektryczny do zabudowy z ogrzewaniem	Instrukcja obsługi	13
(DE)	Elektrischer Einbaukamineinsatz mit Heizung	Benutzerhandbuch	25
(CS)	Vestavná elektrická krbová vložka s ohřevem	Uživatelský manuál	37
(SK)	Vstavaná elektrická krbová vložka s ohrevom	Používateľská príručka	49
(HU)	Beépített elektromos kandallóbetét fűtéssel	Használati utasítás	61
(RO)	Insertie pentru semineu electric incorporabil cu incalzire	Manual de utilizare	73
(FR)	Insert de cheminée électrique encastrable avec chauffage	Manuel de l'utilisateur	85
(IT)	Inserto per camino elettrico da incasso con riscaldatore	Manuale d'uso	97
(NL)	Ingebouwde elektrische inbouwhaard met verwarming	Gebruikershandleiding	109
(UK)	Електричний камін вбудований з обігрівом	Посібник користувача	121
(RU)	Электрический камин встраиваемый с обогревом	Руководство пользователя	133

ENGLISH

Note:

This product is only suitable for well-insulated spaces or occasional use.

TABLE OF CONTENTS

General information
Delivery set
Specification
Safety information
Installation
Device control
Care and maintenance
Disposal
Troubleshooting
Declaration of conformity
Product information sheet
Warranty obligations

GENERAL INFORMATION

Dear Customer,

Thank you for choosing the ArtiFlame electric fireplace – a household electric device designed to heat a room with a flame imitation function.

Quality standards compliance, functionality, and design of this device will guarantee you its reliable and convenient use.

With proper installation and use, you will enjoy the device for many years.

The device can be mounted into a fireplace portal, cabinet furniture, wall niche, plasterboard unit or another specially prepared framing.

Please read the user manual carefully before installing and using this device for the first time.

Keep this user manual in an accessible place for the lifetime of the device or for the next owner.

Notes:

In this manual, the built-in electric fireplace insert heater can have the following names: device, equipment, item, product, heater, electric fireplace, fireplace, etc.

To improve the device, the manufacturer reserves the right to change the appearance, construction, delivery set, and specification of the device without prior notice.

Technical and typographical errors may occur in the text, digital designations and pictures.

DELIVERY SET

Built-in electric fireplace insert heater – 1 pcs.

Remote control – 1 pcs.

User manual including warranty obligations section – 1 pcs.

AF24 MULTICOLOR / AF38 MULTICOLOR

AF58 MULTICOLOR

Mounting brackets – 4 pcs.

Screws – 4 pcs.

Screws – 16 pcs.

SPECIFICATION

Heating area: up to 30 sq.m

Rated voltage: 220-240 V

Rated frequency: 50 Hz

Rated power: 900 / 1800 W

Protection against electric shock: class I

Date of manufacture: see on the device label

Service life: unlimited

AF24 MULTICOLOR

Hearth diagonal: 24 inches

Net weight: 11 kg

Product size (width x height x depth), mm: 612 x 500 x 190

Opening size (width x height), mm: 585 x 480

AF38 MULTICOLOR

Hearth diagonal: 38 inches

Net weight: 15.5 kg

Product size (width x height x depth), mm: 993 x 414 x 190

Opening size (width x height), mm: 966 x 395

AF58 MULTICOLOR

Hearth diagonal: 58 inches

Net weight: 24.8 kg

Product size (width x height x depth), mm: 1482 x 425 x 190

Opening size (width x height), mm: 1440 x 414

Attention! When using the device in a room with a low background noise level, you can hear the sound of the mechanism that ensures the functioning of the flame. This is normal and should not cause concern.

SAFETY INFORMATION

The user is fully responsible for the qualified installation of the device and for its safety during its operation.



ATTENTION! Important information and useful tips for using the device.

Follow standard safety warnings, including instructions and cautions contained in this manual, to operate the device safely and to avoid the potential risk of fire, electric shock, or injury to people.

Install and use the device in compliance with local electrical codes and other building codes.

Before installing and using the device, make sure that the supply voltage indicated on it corresponds to the voltage of the available electrical circuit.

After installing the device, ensure free access to its plug.

Simultaneous use of the heater with other powerful electrical devices in the same electrical circuit can enable the fuse in the device or the connected electrical circuit.

Use the device in a well-ventilated premise.

After the first use of the heater, a weak, harmless smell may appear. This is due to the first start of the internal heating parts and should not cause concern; this smell will quickly pass.

The device is equipped with a thermal protection function. In the event of overheating, the device will switch off by itself to avoid damage or the risk of fire. Once the device has cooled down, it can be switched on again.

The device is intended only for common home use; it shall not be used for industrial purposes.

Unqualified installation of the device can cause significant risks. If you cannot connect the device to the power supply by yourself or if there are doubts regarding the serviceability of the device, call a qualified electrician.

The device does not contain any parts, which require the user's maintenance.

Do not expose plants and animals to the direct flow of hot air from the device.



WARNINGS, which shall be observed to avoid damage to the device.

Do not use the device outdoors.

Do not switch on the device immediately after transport or storage in the cold. Before switching it on, keep it at room temperature for at least 3 hours to avoid damage due to condensation on the internal parts of the device.

If provided, use handles when moving the device.

Do not turn on the device in its package.

This device is not intended for use in bathrooms, laundry areas and similar indoor locations. Never locate the device where it may fall into a bathtub or other water container.

Do not install or use the device directly under a power outlet.

Do not run the power cord under the carpeting. Do not cover the power cord with throw rugs, runners, or the like. Arrange the power cord away from traffic areas and where it will not be tripped over.

Always plug the device directly into a power outlet without using an extension cord or adapter.

Connect the device to properly grounded outlets only.

Do not use the device with a twisted power cord.

When using the device, make sure that the power cord does not touch heated surfaces.

Always unplug the device when not in use.

To disconnect the device, turn the controls off, then remove the plug from the outlet.

Do not use the device as a clothes dryer.

Do not place the device near heating appliances.

Do not use a device with an automatic timer or any other technical equipment that automatically turns on/off the device or an electrical circuit, to which it is connected.



WARNINGS, which shall be strictly observed to avoid injury to people.

Use the device only as described in this manual. Any other use not recommended by the manufacturer may cause fire, electrical shock, or injury to people as well as the termination of the warranty.

Children, individuals with impaired physical, sensory or mental capabilities, as well as individuals without adequate knowledge and experience, are not allowed to use the device unless they are under the supervision of a person responsible for their safety or have been properly instructed how to use the device.

Do not leave children unattended near the operating device.

Do not allow children to play with the device and packaging materials.

Be especially careful when using the device in the presence of children and people with disabilities, and whenever it is left operating and unattended.

Do not use the device in an unsecured position. The device must always be securely fixed in a fireplace portal, cabinet furniture, wall niche, plasterboard unit or another specially prepared framing.

Do not allow water to get on the device.

Do not turn on the device if water gets on any part of it.

If the device has fallen into the water, immediately remove the plug from the power outlet without touching the device or the water.

Do not touch the device while it is in operation with wet hands.

The device heats during operation. To avoid burns, do not touch its hot surfaces.

Never cover the device when it is in operation.

To prevent overheating, ignition or possible fire, do not block in any manner air intakes and the exhaust used for ventilation of the device and outflow of hot air from the heater.

Do not install the device on soft surfaces (beds, sofas, carpets, etc.) with limited air circulation.

Do not insert or allow foreign objects to enter any ventilation or exhaust openings.

Keep combustible materials, such as furniture, pillows, bedding, papers, clothes, and curtains at least 1 meter from the front of the heater. Avoid placing such objects behind and on either side of the unit.

A device has hot and sparking parts inside. Do not use the device in areas where petrol, paints, or flammable liquids are used or stored.

Turn off the device and let it cool down before moving it.

When removing the plug from the power outlet, do not pull the cord – but the plug itself.

Do not disassemble or modify the design of the device.

Do not operate the device with a damaged cord or plug or after the device malfunctions, or has been dropped or damaged in any manner.

If smoke, sparks, or a strong smell of burnt insulation coming from the device, stop using it immediately and pull the plug from the power outlet.

If the device is broken or damaged, do not try to repair it. Contact a service facility for examination, electrical or mechanical adjustment, or repair.

INSTALLATION



WARNING! Be careful with sharp edges and corners of the device.



WARNING! Install the device with two people to avoid injuries and damage.

The device should be used in a suitable size framing (fireplace portal, cabinet furniture, wall niche, plasterboard unit, etc.).

To ensure proper ventilation, make clearances of at least 50 mm above and behind the device, making an air layer between the device and framing parts.

It is not recommended to install the device near strong light sources to avoid degrading the quality of the flame mode effects.

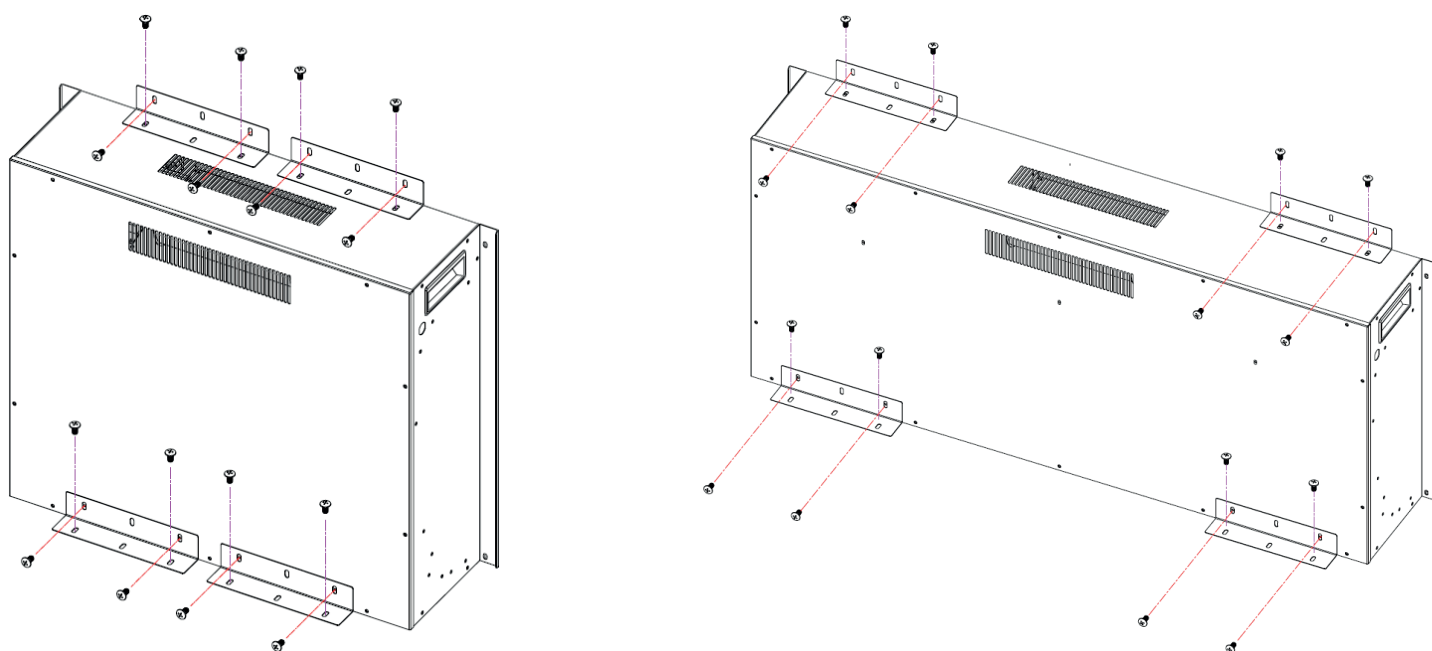
Carefully remove the device from its packaging. Save the packaging for its future use for safe device transportation, if required.

Before the final installation of the device, perform a test power-on using an appropriate power outlet.

The device shall be installed in framing from the inside. Carefully set the device into the back of the framing and center it in the opening. Do not attempt to install the device from the front of the framing – it will not fit.

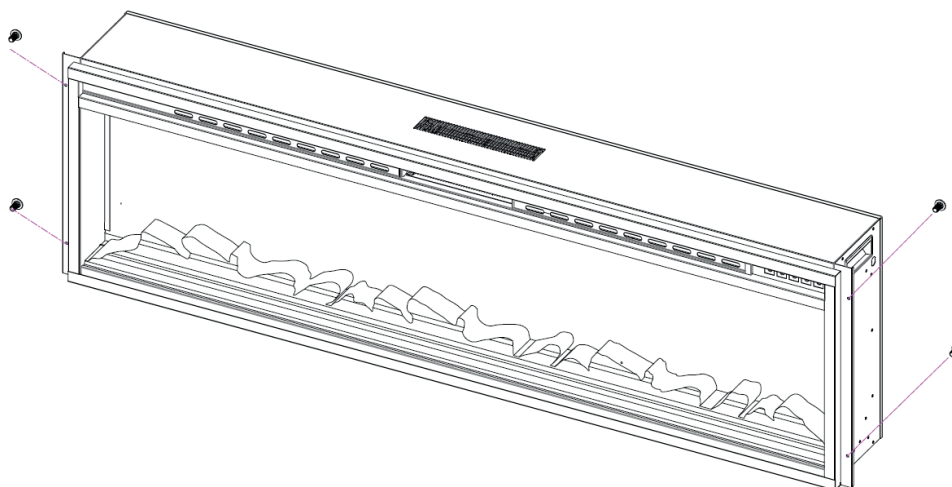
AF24 MULTICOLOR / AF38 MULTICOLOR

Check the alignment and fasten the device to the framing using mounting brackets and screws, inserting them through the drilled holes on the mounting brackets and device.



AF58 MULTICOLOR

Check the alignment and fasten the device to the framing using screws, inserting them through the drilled holes on the mounting trims.



To ensure safety, the device must be securely mounted and fastened in the framing so that it cannot move during its use.

DEVICE CONTROL

To operate the device, both its control panel and remote control can be used.

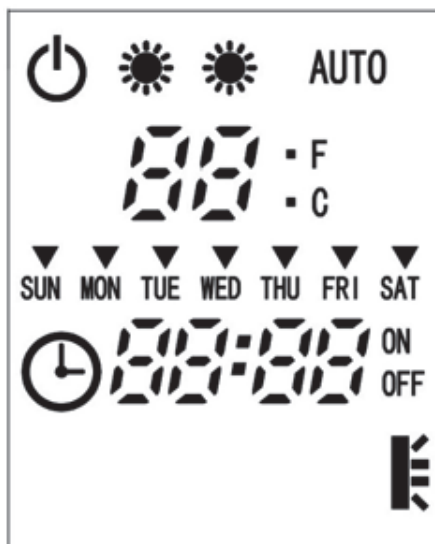
The device has heating and flame modes.

Note:

The device is not designed for use as a heater only, without flame.

Digital display and function indicator

The digital display and function indicator shows the information on the selected settings.



Control panel

The control panel is located in the upper-right corner of the device's front panel. Control panel elements:

- main power button (1),
- main flame color button (2),
- firewood flame color button (3),
- heater button (4),
- timer button (5).



Main power button (1)

Press the main power button to turn the device on and off. Press the main power button once to turn on the device. Press the main power button again to turn off the device.

Main flame color control (2)



Press the button (2) to set the main flame color: F1 (orange and blue mix) – F2 (orange) – F3 (blue) – F4 (cycle / smooth automatic change of the main flame color).

Firewood flame color control (3)

Press the button (3) to set the color of the firewood flame: L1 (orange) – L2 (blue) – L3 (pink) – L4 (cycle with yellow additionally / smooth automatic change of the firewood flame color).

Heater control (4)

The heater is turned on and off using the heater button.

Heater button press	Heater condition	Digital display value
First press	Heater off	00
Second press	Low power continuous heating – 900 W	Lo 
Third press	High power continuous heating – 1800 W	HI 
Fourth press	Heater off	00

To enter or exit temperature adjustment mode, press and hold the heater button for 3 seconds when the heater is on. Use the heater button to set the desired room temperature from 17 °C to 27 °C in Celsius (from 62 °F to 82 °F in Fahrenheit) or "oN" for continuous heating. The power level (Low / High) depends on the heating power mode selected when the heater was turned on. When the heater operates at the selected heating temperature, the digital display shows "AUTO". The heater turns off automatically when the room temperature reaches the set point and turns on automatically when the room temperature drops below the set point. Make sure that the set temperature of the heater is higher than the room temperature; otherwise, the heater cannot turn on or can operate wrongly.

To change the temperature scale between Celsius (C) and Fahrenheit (F), press and hold the main flame color button (2) for 3 seconds when the heater is on.

The device has an open window detection function. If the indoor temperature drops 3 degrees below the set value within 5 minutes, the device will stop supplying heat, the buzzer will ring 5 times, and the digital display will show:



Note:

After the heater is turned off, the heater fan can work for some time to cool the internal parts of the device.

Timer function (5)

The device is equipped with a self-shutdown timer with time intervals from 30 minutes to 9 hours. Press the timer button sequentially to select a time interval from 30 minutes to 9 hours: 30 – 1H – 2H – 3H – 4H – 5H – 6H – 7H – 8H – 9H. When the timer is activated, the digital display shows:

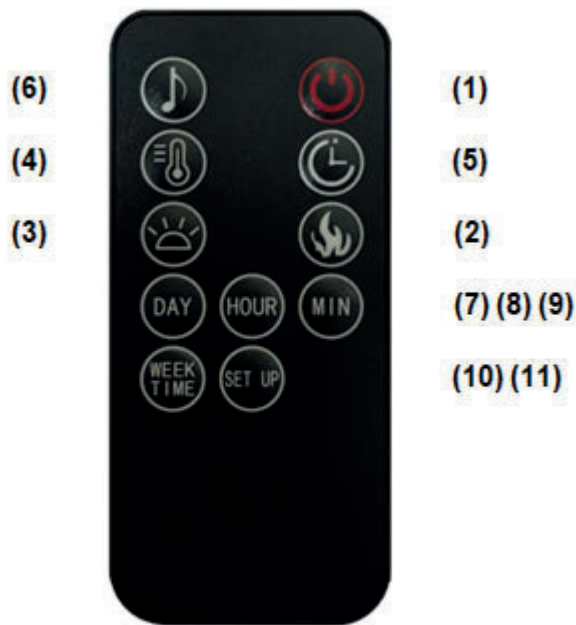


Remote control

The operation of the remote control buttons works the same as the buttons on the front panel of the device. Review the Device control section for more information on the functionality of these buttons.

Remote control elements:

- main power button (1),
- main flame color button (2),
- firewood flame color button (3),
- heater button (4),
- timer button (5),
- wood burning sound button (6),
- clock and weekly timer buttons (7, 8, 9, 10, 11).



Wood burning sound function (6)

Press the button (6) on the remote control to turn on/off the wood burning sound. The digital display shows "51" when the wood burning sound is on and "50" when the wood burning sound is off.

Clock function (7, 8, 9)

Press the button (7) on the remote control to set the current day of the week, and use the buttons (8) for hours and (9) for minutes to set the current time.

The current day of the week and time are shown on the digital display whenever it is activated.

When the device is unplugged, the clock settings are reset.

Weekly timer function (8, 9, 10, 11)

The weekly timer function allows setting the heater to turn on/off automatically for one preset time interval per day on a weekly cycle (MON – TUE – WED – THU – FRI – SAT – SUN) within the heating settings that were last set manually.

Press the button (10) on the remote control to activate the weekly timer function.

Use the buttons (8) for hours and (9) for minutes to set the time for turning on the heater on Monday.

Press the button (11) to go to the setting of time for turning off the heater on Monday.

Use the buttons (8) for hours and (9) for minutes to set the time for turning off the heater on Monday.

Press the button (10) to continue setting the heater turn on/off time for the next day.

Use the same procedure to set time intervals for other days.

If stop pressing the weekly timer function buttons for more than 3 seconds, you will exit the weekly timer function and confirm the previous setting.

To review the settings of the weekly timer, press the button (10) sequentially to see the time for turning on for each day; use the button (11) to see the time for turning off; to change the settings of the weekly timer, use the buttons (8) for hours and (9) for minutes.

To disable the weekly timer for a specific day of the week, set 00:00 for the heater turning on and off times.

To deactivate the weekly timer manually, unplug the device from the wall outlet and turn it back on.

To improve the operation of the remote control, point it at the front of the device. Avoid exposing the infrared transmitter on the control panel to direct sunlight.

Do not press the remote control buttons too hard or too often. Wait for a little before the device executes a command.

Handle the remote control gently. Do not drop it, do not step on it, and make sure that the remote control does not get wet.

The battery is supplied with a remote control. The battery code is CR2025 3V.

The first thing to do with the remote control is to remove the plastic sheet insulating the battery.

When inserting the battery, make sure that its polarity matches the markings inside the battery compartment of the remote control.

Remove the battery from the remote control if you are not going to use it for a long time.

Replace the battery in the remote control in time.

Try not to use rechargeable batteries.

CARE AND MAINTENANCE



WARNING! Always disconnect from the power supply before cleaning the device. First, turn off the main power. Then remove the electrical plug from the wall outlet.



WARNING! Do not use the device if any part of it has been underwater. Immediately call a qualified technician to inspect the device.



WARNING! Before cleaning the device, make sure that it has completely cooled down.

The heater fan motor and flame motor are pre-lubricated for durable using time and need no further lubrication or maintenance.

To remove any accumulation of dust, fluff and insects, the soft brush attachment of a vacuum cleaner should occasionally be used to clean the outlet grille of the fan heater.

Use a soft, clean cloth that will not scratch the surface when dusting.

Use a clean soft cloth dampened with warm water to clean the device's surface. Do not use household or abrasive cleaners, as these products may damage the surface.

To clean the glass panel of the device, use a non-abrasive, damp cloth (not wet) and, if necessary, a liquid cleaner or liquid soap. Do not use scouring powders or other products with abrasive substances, as they will scratch the glass panel of the device.

Under no circumstances should the device be operated with a broken or chipped glass panel.

Do not hit or drop the glass panel of the device.

Before connecting the device to the power supply, make sure that it is completely dry.

When the device is not in use, unplug the power cord from the wall outlet to prevent damage to the device or accidental disconnection of the power cord.

DISPOSAL



The packaging materials of the device are recyclable and reusable. Please do not dispose of packaging materials with household waste, delivery them to an appropriate collection site for recycling.



The device shall be disposed of after its service life is expired. The device contains valuable materials that can be recycled. Please do not dispose of the device with household waste, delivery it to an appropriate collection site for old electrical equipment.

Please do not dispose of used batteries from the remote control together with household waste, delivery them to the appropriate collection site for used batteries.

TROUBLESHOOTING

Problem	Solution
The device does not turn on.	Check if the device is connected to the power supply. Press the main power button on the control panel.
The main power switch lights up, but no flame effect.	Open the back panel to verify if the flame spindle has not fallen out of the spindle motor.
When heating, warm air is not supplied.	Make sure that the set point temperature of the heater is higher than the room temperature. Turn on/off the heater button several times to make sure that the heater is on.
The heater does not work.	Turn off all operating modes and unplug the device from the wall outlet for 5 minutes. After 5 minutes, plug the device back into the wall outlet and use it as normal.
The display of the control panel shows error "E1".	Turn off all operating modes and unplug the device from the wall outlet for 5 minutes. After 5 minutes, plug the device back into the wall outlet and use it as normal.
The remote control does not operate.	Remove the plastic sheet insulating the battery. / Bring the remote control closer to the device. / Replace the battery in the remote control.

DECLARATION OF CONFORMITY



This device complies with the following European Directives: 2014/35/EU (LVD), 2014/30/EU (EMC), 2009/125/EC (ERP), 2011/65/EU (RoHS).

PRODUCT INFORMATION SHEET

Model identifier(s): AF24 MULTICOLOR, AF38 MULTICOLOR, AF58 MULTICOLOR					
Item	Symbol	Value	Unit	Item	Unit
Heat output				Type of heat input, for electric storage local space heaters only	
Nominal heat output	P_{nom}	1.8	kW	manual heat charge control with integrated thermostat	N/A
Minimum heat output (indicative)	P_{min}	0.9	kW	manual heat charge control with room and/or outdoor temperature feedback	N/A
Maximum continuous heat output	$P_{max,c}$	1.8	kW	electronic heat charge control with room and/or outdoor temperature feedback	N/A
Auxiliary electricity consumption				fan assisted heat output	
At nominal heat output	eI_{max}	N/A	kW	Type of heat output/room temperature control	
At minimum heat output	eI_{min}	N/A	kW	single stage heat output and no room temperature control	[no]
In standby mode	eI_{sb}	0.7	W	two or more manual stages, no room temperature control	[no]
				with mechanic thermostat room temperature control	[no]
				with electronic room temperature control	[no]
				electronic room temperature control plus day timer	[no]
				with electronic room temperature control plus week timer	[yes]
Other control options					
				room temperature control, with presence detection	[no]
				room temperature control, with open window detection	[yes]
				with distance control option	[no]
				with adaptive start control	[no]
				with working time limitation	[no]
				with black bulb sensor	[no]
Contact details	ARTIFLAME Sp. z o.o., Grabie 37, 32-002 Węgrzce Wielkie, Poland				

WARRANTY OBLIGATIONS

ATTENTION! When buying or receiving a product, check delivery set, serviceability and that it is not damaged as well as a user manual is available.

Terms and conditions of warranty service

The product warranty period is 2 years after the sale or receipt, if there is a commercial or cash/fiscal or transport document confirming the date of sale or receipt of the product. The customer is entitled to guarantee repair of the product during the warranty period, if the product has failed due to material or manufacturing defects. The above warranty period applies only to products used for personal, family or household purposes, not related to business activities.

The buyer shall lose the right to warranty repair in the event of:

- Violation of installation and use instructions provided in the user manual.
- Use of the product not for its intended purpose.
- Wrong connection of the product to the power supply.
- If product malfunctions are caused by improper storage or mechanical damage during transportation or use.
- If the product is heavily contaminated both internally and externally, or is rusted.
- If the product has signs of unauthorized opening/repair or has been subjected to design changes or modifications.
- If the use of the product continued after the malfunction appearance and was not stopped.
- If foreign objects, liquids, substances, or insects are inside the product.
- If the label has been removed from the product.
- Normal wear and tear of product parts due to excessive use. Uniform wear of parts upon absent factory defects does not entitle them to their warranty replacement.
- Damage caused by natural disasters (fire, flood, etc.) or domestic factors (voltage overload, voltage drop, power outage, etc.).

The warranty does not cover lamps.

In case of any questions regarding the warranty service in the EU, please contact the authorized service center:
+48 12 333 60 74, sklep@artiflame.pl.

Please complete the form below in block letters and return it to us with the damaged product:

First name, Last name: _____

Address: _____

Postal code, Place of residence: _____

Date, Signature: _____

Model: _____

Reason for the claim: _____

POLSKI

Uwaga:

Ten produkt nadaje się tylko do dobrze izolowanych pomieszczeń lub do sporadycznego użytku.

SPIS TREŚCI

Informacje ogólne
Zestaw dostawczy
Specyfikacja
Zasady bezpieczeństwa
Montaż
Sterowanie
Utrzymanie oraz obsługa
Utylizacja
Rozwiązywanie problemów
Deklaracja zgodności
Karta informacyjna produktu
Zobowiązania gwarancyjne

INFORMACJE OGÓLNE

Szanowny Kupujący!

Dziękujemy za wybór kominka elektrycznego ArtiFlame – domowego urządzenia elektrycznego przeznaczonego dla ogrzewania pomieszczenia z funkcją imitacji płomienia.

Zgodność ze standardami jakości, funkcjonalność oraz design urządzenia gwarantują niezawodność i komfort w korzystaniu.

Pod warunkiem kwalifikowanego montażu i prawidłowego użytkowania, urządzenie będzie służyć przez wiele lat.

Urządzenie można zamontować do obudowy kominkowej, mebli korpusowych, wnęce ściennej, module gipsowo-kartonowym lub innym specjalnie przygotowanym obramowaniu.

Proszę uważnie przeczytać instrukcje obsługi przed montażem oraz pierwszym użyciem urządzenia.

Instrukcje należy przechowywać w dostępnym miejscu przez cały okres użytkowania urządzenia lub dla następnego właściciela.

Uwagi:

W treści instrukcji wkład kominkowy elektryczny do zabudowy z ogrzewaniem może mieć następujące nazwy: urządzenie, urządzenie elektryczne, produkt, nagrzewnica, kominek elektryczny, kominek itp.

Producent zastrzega sobie prawo do zmiany designu, konstrukcji, wyposażenia i specyfikacji urządzenia w celu poprawy jego właściwości bez uprzedzenia.

W treści, oznaczeniach cyfrowych i na rysunkach instrukcji możliwe są błędy techniczne oraz typograficzne.

ZESTAW DOSTAWCZY

Wkład kominkowy elektryczny do zabudowy z ogrzewaniem – 1 szt.

Pilot zdalnego sterowania – 1 szt.

Instrukcja obsługi z rozdziałem o zobowiązaniach gwarancyjnych – 1 szt.

AF24 MULTICOLOR / AF38 MULTICOLOR

AF58 MULTICOLOR

Wsporniki montażowe – 4 szt.

Śruby – 4 szt.

Śruby – 16 szt.

SPECYFIKACJA

Powierzchnia grzewcza: do 30 m²

Napięcie znamionowe: 220-240 V

Częstotliwość znamionowa: 50 Hz

Znamionowy pobór mocy: 900 / 1800 W

Klasa ochrony przed porażeniem elektrycznym: klasa I

Data produkcji: umieszczona na urządzeniu

Okres użytkowania: nieograniczony

AF24 MULTICOLOR

Przekątna paleniska: 24 cali

Waga netto: 11 kg

Wymiary gabarytowe (szerokość x wysokość x głębokość), mm: 612 x 500 x 190

Wymiary otworu montażowego (szerokość x wysokość), mm: 585 x 480

AF38 MULTICOLOR

Przekątna paleniska: 38 cali

Waga netto: 15,5 kg

Wymiary gabarytowe (szerokość x wysokość x głębokość), mm: 993 x 414 x 190

Wymiary otworu montażowego (szerokość x wysokość), mm: 966 x 395

AF58 MULTICOLOR

Przekątna paleniska: 58 cali

Waga netto: 24,8 kg

Wymiary gabarytowe (szerokość x wysokość x głębokość), mm: 1482 x 425 x 190

Wymiary otworu montażowego (szerokość x wysokość), mm: 1440 x 414

Ostrzeżenie! W przypadku korzystania z urządzenia w pomieszczeniu o niskim poziomie szumu tła można usłyszeć dźwięk działania mechanizmu, który zapewnia działanie trybu imitacji płomienia. Jest to normalne i nie powinno powodować obaw.

ZASADY BEZPIECZEŃSTWA

Użytkownik ponosi pełną odpowiedzialność za kwalifikowany montaż urządzenia oraz za swoje bezpieczeństwo podczas jego eksploatacji.



OSTRZEŻENIE! Ważne informacje i przydatne wskazówki dotyczące obsługi urządzenia.

Przestrzegaj standardowych zasad bezpieczeństwa, w tym instrukcji, zastrzeżeń i ostrzeżeń zawartych w instrukcji, aby bezpiecznie obsługiwać urządzenie i żeby uniknąć zapłonu, porażenia prądem elektrycznym lub obrażeń ciała.

Montuj oraz używaj urządzenia zgodnie z lokalnymi przepisami eksploatacji sieci elektrycznych, oraz innymi przepisami budowlanymi.

Przed instalacją i użyciem urządzenia upewnij się, że wskazane na nim napięcie zasilania odpowiada napięciu sieci w pomieszczeniu.

Po zainstalowaniu urządzenia należy zapewnić swobodny dostęp do jego wtyczki.

Jednoczesne używanie urządzenia w trybie ogrzewania z innymi potężnymi urządzeniami elektrycznymi w tym samym obwodzie elektrycznym może spowodować zadziałanie bezpiecznika w urządzeniu lub w domowej sieci energetycznej.

Używaj urządzenia w dobrze wentylowanym pomieszczeniu.

Po pierwszym użyciu urządzenia w trybie ogrzewania może pojawić się lekki nieszkodliwy zapach. Wynika to z rozpoczęcia działania wewnętrznych elementów grzejnych oraz nie powinno wywoływać zaniepokojenia, bo taki zapach szybko przejdzie.

Urządzenie wyposażone jest w funkcję ochrony termicznej. W przypadku przegrzania urządzenie wyłączy się samoistnie, aby uniknąć uszkodzenia lub ryzyka pożaru. Po schłodzeniu urządzenia można go włączyć ponownie.

Urządzenie jest przeznaczone do zwykłego użytku domowego, nie wolno go używać do celów przemysłowych.

Niewykwalifikowany montaż urządzenia może spowodować znaczne niebezpieczeństwo. Jeśli niemożliwe jest samodzielne podłączenie urządzenia do sieci elektroenergetycznej lub pojawiły się wątpliwości co do sprawności urządzenia, należy zwrócić się o pomoc do wykwalifikowanego elektryka.

Urządzenie nie zawiera części obsługiwanych przez użytkownika.

Nie kieruj bezpośredniego przepływu gorącego powietrza z urządzenia do roślin i zwierząt.



OSTRZEŻENIA, których należy przestrzegać, aby nie uszkodzić urządzenia.

Nie używaj urządzenia na zewnątrz.

Nie włączaj urządzenia natychmiast po transporcie lub przechowywaniu na zimno. Pozostaw ją w temperaturze pokojowej na co najmniej 3 godziny przed włączeniem, aby uniknąć uszkodzeń spowodowanych kondensacją pary wewnątrz urządzenia.

Jeśli jest to przewidziane, należy używać uchwytów podczas przenoszenia urządzenia.

Nie włączaj urządzenie w opakowaniu.

Urządzenie nie jest przeznaczone do użytku w łazienkach, pralniach i pomieszczeniach o dużej wilgotności. Nigdy nie umieszczaj urządzenia w miejscu, w którym istnieje ryzyko dostania się do wanny lub jakiegokolwiek pojemnika z wodą.

Nie instaluj ani nie używaj urządzenia bezpośrednio pod gniazdkiem elektrycznym.

Nie umieszczaj przewodu zasilającego pod dywanem lub innym pokryciem, w przejściach ani w żaden inny sposób, który zwiększa ryzyko uszkodzenia. Umieść przewód zasilający tak, aby się o niego nie potknąć.

Zawsze podłączaj urządzenie bezpośrednio do gniazdka sieciowego bez użycia przedłużacza lub zasilacza.

Podłączaj urządzenie tylko do uziemionego gniazdka elektrycznego.

Nie używaj urządzenia ze skróconym przewodem zasilającym.

Podczas obsługi urządzenia upewnij się, że przewód zasilający nie dotyka gorących powierzchni.

Zawsze odłączaj urządzenie, gdy nie jest używane.

Aby całkowicie wyłączyć zasilanie urządzenia, najpierw wyłącz je za pomocą elementów sterujących, a następnie wyjmij wtyczkę z gniazdka sieciowego.

Nie używaj urządzenia do suszenia ubrań.

Nie umieszczaj urządzenia w pobliżu grzejników.

Nie używaj urządzenia z automatycznym wyłącznikiem czasowym lub innym urządzeniem technicznym, które automatycznie włącza/wyłącza urządzenie lub obwodu elektrycznego, do którego jest podłączone.



OSTRZEŻENIA, których należy uważnie przestrzegać, aby uniknąć obrażeń ciała.

Używaj urządzenia tylko zgodnie z jego przeznaczeniem i zgodnie z instrukcją. Używanie urządzenia w sposób nieokreślony w instrukcji może spowodować pożar, porażenie prądem elektrycznym lub obrażenia ciała, a także unieważnienie gwarancji.

Zakaz używania urządzenia dzieciom, osobom o ograniczonych zdolnościach fizycznych, sensorycznych lub umysłowych, a także osobom, które nie posiadają odpowiedniej wiedzy oraz doświadczenia, jeżeli nie znajdują się pod kontrolą osoby odpowiedzialnej za ich bezpieczeństwo albo nie zostali w odpowiedni sposób poinstruowani w zakresie korzystania z urządzenia.

Nie pozostawiaj dzieci bez opieki w pobliżu działającego urządzenia.

Nie pozwalaj dzieciom bawić się urządzeniem i materiałami opakowaniowymi.

Należy zachować szczególną ostrożność podczas korzystania z urządzenia w obecności dzieci i osób niepełnosprawnych, a także pozostawiania urządzenia bez nadzoru.

Nie używaj urządzenia w pozycji odpiętej. Urządzenie musi być zawsze bezpiecznie zamocowane w obudowie kominkowej, meblu korpusowym, wnęce ściennej, module gipsowo-kartonowym lub innym specjalnie przygotowanym obramowaniu.

Nie pozwól, aby woda dostała się do urządzenia.

Nie włączaj urządzenia, jeśli na jakkolwiek jego część dostała się woda.

Jeśli urządzenie wpadnie do wody, od razu odłącz je od zasilania, nie dotykając urządzenia ani wody.

Nie dotykaj pracującego urządzenia mokrymi rękami.

Urządzenie nagrzewa się podczas eksploatacji. Aby uniknąć oparzeń, nie dotykaj jego gorących powierzchni.

W żadnym wypadku nie przykrywaj działającego urządzenia.

Aby uniknąć przegrzania i zapłonu, nigdy nie zamykaj kratki wywiewnej przeznaczonej do wentylacji urządzenia i odpływu gorącego powietrza z nagrzewnicy.

Nie instaluj urządzenia na miękkich powierzchniach (łóżka, kanapy, dywany itp.) o ograniczonej cyrkulacji powietrza.

Nie dopuszczaj do przedostania się ciał obcych do urządzenia, do kratki wentylacyjnych lub otworów.

Przedmioty łatwopalne (meble, poduszki, pościel, papier, ubrania, zasłony itp.) należy przechowywać w odległości co najmniej 1 metra od przedniej krawędzi urządzenia. Unikaj umieszczania takich przedmiotów z tyłu lub po obu stronach urządzenia.

Wewnątrz urządzenia znajdują się gorące i iskrzące części. Nie używaj i nie przechowuj w pobliżu urządzenia produktów naftowych, farb, aerozoli oraz innych łatwopalnych substancji i materiałów.

Przed przemieszczeniem wyłącz urządzenie i pozwól mu ostygnąć.

Podczas wyjmowania wtyczki z gniazdka sieciowego nie ciągnij za przewód – trzymaj się samej wtyczki.

Nie demontuj oraz nie zmieniaj konstrukcji urządzenia.

Nie używaj urządzenia z uszkodzonym przewodem zasilającym, wtyczką, po spadnięciu lub uszkodzonego.

W przypadku pojawienia się dymu, iskier, silnego zapachu spalonej izolacji należy natychmiast zaprzestać go używać i wyjąć wtyczkę z gniazdka.

W przypadku zepsucia lub uszkodzenia urządzenia nie próbuj samodzielnie naprawiać. Skonsultuj się z wykwalifikowanym elektrykiem, aby sprawdzić stan urządzenia, ustawienia elektryczne i mechaniczne urządzenia.

MONTAŻ



OSTRZEŻENIE! Uważaj na ostre krawędzie i narożniki urządzenia.



UWAGA! Zalecamy montować urządzenie we dwoje, aby uniknąć obrażeń i uszkodzeń.

Urządzenie należy użytkować poprzez osadzenie w obramowaniu odpowiedniej wielkości (obudowa kominkowa, meble korpusowe, wnęka ścienna, moduł suchej zabudowy itp.).

Aby zapewnić odpowiednią wentylację, należy wykonać wystąpienia co najmniej 50 mm nad i za urządzeniem, tworząc warstwę powietrza pomiędzy urządzeniem a elementami obramowania.

Nie zalecamy montaż urządzenia w pobliżu silnych źródeł światła, aby nie pogorszyć jakości efektów trybu symulacji płomienia.

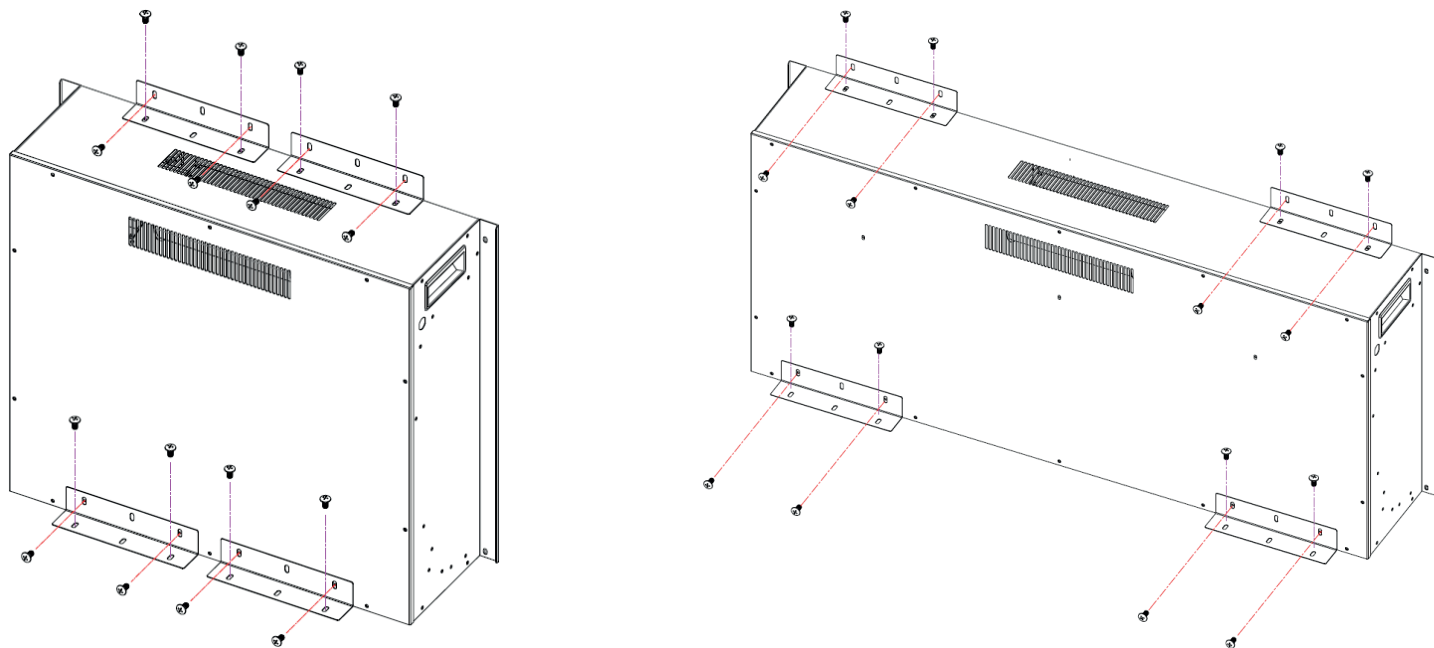
Ostrożnie wyjmij urządzenie z opakowania. Zachowaj opakowanie, żeby można było w razie potrzeby wykorzystać go do bezpiecznego transportu urządzenia.

Przed ostateczną instalacją urządzenia należy wykonać próbny wyłącznik, korzystając z odpowiedniego gniazdka elektrycznego.

Urządzenie montuje się w obramowaniu od wewnątrz. Wstaw urządzenie od tyłu obramowania i wyśrodkować je w otworze montażowym. Nie próbuj montować urządzenia od przodu obramowania – nie będzie pasować.

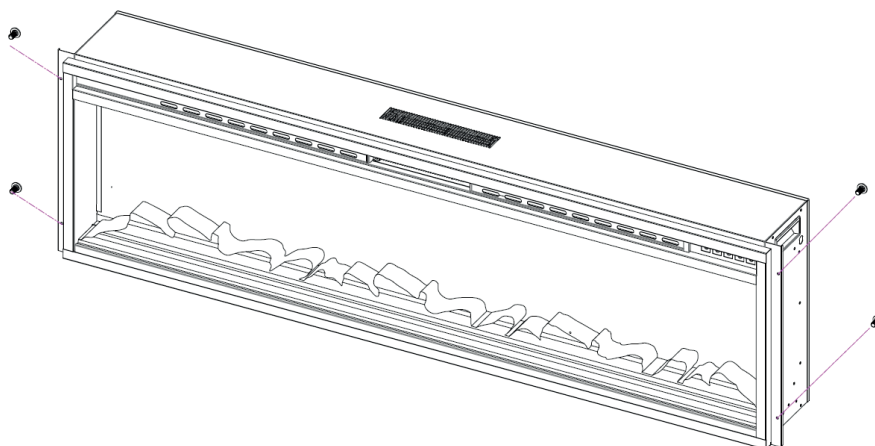
AF24 MULTICOLOR / AF38 MULTICOLOR

Sprawdzić ustawienie i przymocować urządzenie do obramowania za pomocą wsporników montażowych i śrub, wkładając je przez wywiercone otwory we wspornikach montażowych i urządzeniu.



AF58 MULTICOLOR

Sprawdzić ustawienie i przymocować urządzenie do obramowania za pomocą śrub, wkładając je przez wywiercone otwory w listwach montażowych.



Aby zapewnić bezpieczeństwo, urządzenie musi być solidnie zamocowane i zabezpieczone w obramowaniu tak, aby nie poruszało się podczas użytkowania.

STEROWANIE

Do sterowania urządzenia można wykorzystać zarówno jego panel sterowania, jak i pilot.

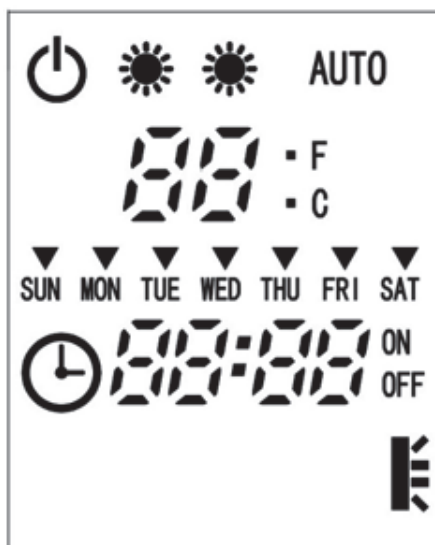
Urządzenie posiada tryby grzania i płomienia.

Notatka:

Urządzenie nie jest przeznaczone do stosowania wyłącznie jako nagrzewnica, bez płomienia.

Wyświetlacz cyfrowy i wskaźnik funkcji

Cyfrowy wyświetlacz i wskaźnik funkcji pokazują informacje o wybranych ustawieniach.



Panel sterowania

Panel sterowania znajduje się w prawym górnym rogu z frontu urządzenia. Elementy panelu sterowania:

- główny przycisk zasilania (1),
- przycisk koloru płomienia głównego (2),
- przycisk koloru płomienia drewna opałowego (3),
- przycisk nagrzewnicy (4),
- przycisk timera (5).



Główny przycisk zasilania (1)

Naciśnij główny przycisk zasilania, aby włączyć lub wyłączyć urządzenie. Naciśnij główny przycisk zasilania raz, aby włączyć urządzenie. Naciśnij ponownie główny przycisk zasilania, aby wyłączyć urządzenie.

Regulacja koloru głównego płomienia (2)



Naciśnij przycisk (2), aby ustawić kolor głównego płomienia: F1 (mix pomarańczowego i niebieskiego) – F2 (pomarańczowy) – F3 (niebieski) – F4 (cykliczny / płynna automatyczna zmiana koloru głównego płomienia).

Regulacja koloru płomienia drewna opałowego (3)

Naciśnij przycisk (3), aby ustawić kolor płomienia drewna opałowego: L1 (pomarańczowy) – L2 (niebieski) – L3 (różowy) – L4 (cykliczny z żółtym dodatkowo / płynna automatyczna zmiana koloru płomienia drewna opałowego).

Sterowanie ogrzewaniem (4)

Nagrzewnicę włącza się i wyłącza za pomocą przycisku nagrzewnicy.

Naciśnięcie przycisku nagrzewnicy	Stan nagrzewnicy	Wartość na wyświetlaczu cyfrowym
Pierwsze naciśnięcie	Nagrzewnica wyłączona	00
Drugie naciśnięcie	Ogrzewanie ciągłe o niskiej mocy – 900 W	Lo 
Trzecie naciśnięcie	Ogrzewanie ciągłe o dużej mocy – 1800 W	Hi 
Czwarte naciśnięcie	Nagrzewnica wyłączona	00

Aby wejść lub wyjść z trybu regulacji temperatury, naciśnij i przytrzymaj przycisk nagrzewnicy przez 3 sekundy, gdy nagrzewnica jest włączona. Użyj przycisku nagrzewnicy, aby ustawić żądaną temperaturę w pomieszczeniu w zakresie od 17 °C do 27 °C w skali Celsjusza (od 62 °F do 82 °F w skali Fahrenheita) lub "oN" dla ciągłego ogrzewania. Poziomocy (Niski / Wysoki) zależy od trybu mocy ogrzewania wybranego po włączeniu nagrzewnicy. Gdy nagrzewnica działa w wybranej temperaturze ogrzewania, na wyświetlaczu cyfrowym pokazywany jest "AUTO". Nagrzewnica wyłączy się automatycznie, gdy temperatura w pomieszczeniu osiągnie ustawioną wartość i włączy się automatycznie, gdy temperatura w pomieszczeniu spadnie poniżej ustawionej wartości. Upewnij się, że ustawiona temperatura nagrzewnicy jest wyższa niż temperatura w pomieszczeniu; w przeciwnym razie nagrzewnica nie może się włączyć lub może działać nieprawidłowo.

Aby zmienić skalę temperatury pomiędzy Celsjusza (C) na Fahrenheita (F), naciśnij i przytrzymaj przycisk koloru głównego płomienia (2) przez 3 sekundy, gdy nagrzewnica jest włączony.

Urządzenie ma funkcję wykrywania otwartego okna. Jeśli temperatura w pomieszczeniu spadnie o 3 stopnie poniżej ustawionej wartości w ciągu 5 minut, urządzenie przestanie dostarczać ciepło, brzęczyk zadzwoni 5 razy, a na wyświetlaczu cyfrowym pojawi się:



Ważna informacja:

Po wyłączeniu trybu ogrzewania wentylator nagrzewnicy może przez pewien czas działać, aby schłodzić wewnętrzne elementy urządzenia.

Funkcja timera (5)

Urządzenie jest wyposażone w timer samoczynnego wyłączenia z przedziałami czasowymi od 30 minut do 9 godzin. Naciśnij kolejno przycisk timera, aby wybrać przedział czasowy od 30 minut do 9 godzin: 30 – 1H – 2H – 3H – 4H – 5H – 6H – 7H – 8H – 9H. Gdy timer jest włączony, wyświetlacz cyfrowy pokazuje:

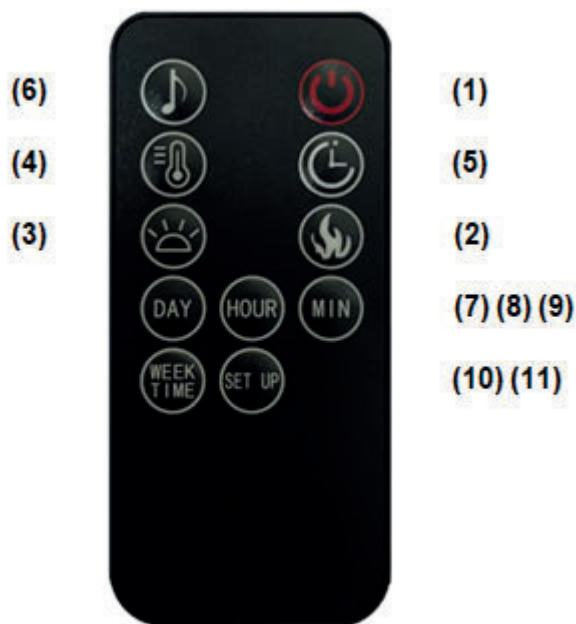


Pilot zdalnego sterowania

Działanie przycisków pilota jest takie samo jak przycisków na przednim panelu urządzenia. Zapoznaj się z sekcją Sterowanie, aby uzyskać więcej informacji na temat funkcji tych przycisków.

Elementy zdalnego sterowania:

- główny przycisk zasilania (1),
- przycisk koloru płomienia głównego (2),
- przycisk koloru płomienia drewna opałowego (3),
- przycisk nagrzewnicy (4),
- przycisk timera (5),
- przycisk dźwięku palącego się drewna (6),
- przyciski zegara i sterownika tygodniowego (7, 8, 9, 10, 11).



Sterowanie funkcją emulacji dźwięku palącego się drewna (6)

Naciśnij przycisk (6) na pilocie, aby włączyć/wyłączyć emulację dźwięku palącego się drewna. Wyświetlacz cyfrowy pokazuje "51", gdy dźwięk palącego się drewna jest włączony, i "50", gdy dźwięk palącego się drewna jest wyłączony.

Funkcja zegara (7, 8, 9)

Naciśnij przycisk (7) na pilocie, aby ustawić bieżący dzień tygodnia, a następnie użyj przycisków (8) dla godzin i (9) dla minut, aby ustawić bieżący czas.

Bieżący dzień tygodnia i godzina są wyświetlane na wyświetlaczu cyfrowym, gdy jest on aktywowany.

Po wyłączeniu zasilania urządzenia ustawienia zegara zostaną zresetowane.

Funkcja sterownika tygodniowego (8, 9, 10, 11)

Funkcja sterownika tygodniowego umożliwia ustawienie automatycznego włączania/wyłączania nagrzewnicy na jeden zaprogramowany przedział czasu dziennie w cyklu tygodniowym (MON – TUE – WED – THU – FRI – SAT – SUN) w ramach ustawień ogrzewania, które zostały ostatnio ustawione ręcznie.

Naciśnij przycisk (10) na pilocie zdalnego sterowania, aby aktywować funkcję sterownika tygodniowego.

Użyj przycisków (8) dla godzin i (9) dla minut, aby ustawić czas włączenia nagrzewnicy w poniedziałek.

Naciśnij przycisk (11), aby przejść do ustawienia czasu wyłączenia nagrzewnicy w poniedziałek.

Użyj przycisków (8) dla godzin i (9) dla minut, aby ustawić czas wyłączenia nagrzewnicy w poniedziałek.

Naciśnij przycisk (10), aby kontynuować ustawianie czasu włączenia/wyłączenia nagrzewnicy na następny dzień.

Użyj tej samej procedury, aby ustawić przedziały czasowe dla innych dni.

Jeśli przestaniesz naciskać przyciski funkcji sterownika tygodniowego na dłużej niż 3 sekundy, wyjdiesz z funkcji sterownika tygodniowego i potwierdzisz poprzednie ustawienie.

Aby przejrzeć ustawienia sterownika tygodniowego, naciśnij kolejno przycisk (10), aby zobaczyć czas włączenia dla każdego dnia; użyj przycisku (11), aby zobaczyć czas wyłączenia; aby zmienić ustawienia sterownika tygodniowego, użyj przycisków (8) dla godzin i (9) dla minut.

Aby wyłączyć sterownik tygodniowy dla określonego dnia tygodnia, należy ustawić godzinę 00:00 dla czasu włączenia i wyłączenia nagrzewnicy.

Aby ręcznie dezaktywować sterownik tygodniowy, należy odłączyć urządzenie od gniazdka sieciowego i włączyć je ponownie.

Aby poprawić działanie pilota, skieruj go na przód urządzenia. Unikaj bezpośredniego dostania się promieni słonecznych na moduł odbiornika podczerwieni na panelu sterowania.

Nie naciskaj przycisków na pilocie zbyt mocno ani zbyt często. Daj urządzeniu trochę czasu na wykonanie polecenia.

Z pilotem należy obchodzić się ostrożnie. Nie upuszczaj go, nie deptaj po nim, pilnuj, aby na pilocie nie pojawiła się wilgoć.

Bateria jest dostarczana wraz z pilotem zdalnego sterowania. Kod baterii to CR2025 3 V.

Przed pierwszym użyciem pilota usuń folię izolacyjną z baterii.

Podczas wkładania baterii upewnij się, że polaryzacja baterii odpowiada oznaczeniom wewnątrz komory baterii pilota zdalnego sterowania.

Wymij baterię z pilota, jeśli nie zamierzasz jej używać przez długi czas.

Wymień baterię w pilocie zdalnego sterowania na czas.

Staraj się nie używać akumulatorowych baterii.

UTRZYMANIE ORAZ OBSŁUGA



OSTRZEŻENIE! Zawsze odłączaj urządzenie z sieci przed czyszczeniem. Najpierw wyłącz urządzenie za pomocą elementów sterujących, a następnie wyjmij wtyczkę z gniazdka zasilającego.



OSTRZEŻENIE! Nie używaj urządzenia, jeśli jakkolwiek jego część znajdowała się pod wodą. Niezwłocznie skontaktuj się z wykwalifikowanym specjalistą w celu sprawdzenia prawidłowego działania urządzenia.



OSTRZEŻENIE! Przed czyszczeniem urządzenia upewnij się, że jest ono całkowicie schłodzone.

Silniki wentylatora nagrzewnicy oraz mechanizm zapewniający pracę w trybie imitacji płomienia są wstępnie nasmarowane do długotrwałego użytkowania i nie wymagają dodatkowego smarowania ani konserwacji.

Użyj miękkich szczotek lub dysz odkurzacza do usunięcia kurzu, kłaczków, owadów itp. oraz żeby wyczyścić kratkę wylotową wentylatora nagrzewnicy.

Aby wytrzeć kurz, należy użyć miękkiej, czystej szmatki, aby nie porysować powierzchni urządzenia.

Do czyszczenia powierzchni urządzenia używaj wilgotnej (nie mokrej) szmatki. Nie używaj domowych ściernych środków czyszczących, ponieważ mogą one uszkodzić powierzchnię urządzenia.

Do czyszczenia szklanego panelu urządzenia użyj nieściernej wilgotnej (nie mokrej) szmatki oraz w razie potrzeby użyj środka czyszczącego w płynie lub mydła w płynie. Nie używaj proszków czyszczących lub innych środków ściernych, ponieważ mogą zarysować szklany panel urządzenia.

Nigdy nie używaj urządzenia z uszkodzonym lub pękniętym panelem szklanym.

Nie uderzaj ani nie upuszczaj szklanego panelu urządzenia.

Przed podłączeniem urządzenia do sieci elektroenergetycznej upewnij się, że jest ono całkowicie suche.

Jeśli urządzenie nie jest używane, odłącz przewód zasilający, aby zapobiec uszkodzeniu urządzenia lub przypadkowemu odłączeniu przewodu zasilającego.

UTYLIZACJA



Materiały opakowaniowe urządzenia nadają się do recyklingu w celu ponownego użycia. Prosimy nie wyrzucać materiałów opakowaniowych razem z odpadami komunalnymi, należy je oddać do odpowiedniego Punktu Selektywnego Zbierania Odpadów Komunalnych (PSZOK).



Pod koniec okresu użytkowania urządzenie należy zutylizować. Urządzenie zawiera cenne materiały, które można ponownie wykorzystać. Proszę nie wyrzucać urządzenia razem z odpadami komunalnymi, proszę oddać je do oficjalnego Punktu Selektywnego Zbierania Odpadów Komunalnych (PSZOK) w celu recyklingu.

Proszę nie wyrzucać zużytych baterii z pilota zdalnego sterowania razem z odpadami domowymi, proszę oddać je do odpowiedniego punktu zbiórki zużytych baterii.

ROZWIĄZYWANIE PROBLEMÓW

Problem	Rozwiązanie
Urządzenie nie włącza się.	Sprawdź, czy urządzenie jest podłączone do zasilania. Naciśnij główny przycisk zasilania na panelu sterowania.
Główny włącznik zasilania świeci się, ale nie ma efektu płomienia.	Otworzyć tylny panel, aby sprawdzić, czy wrzeciono płomienia nie wypadło z silnika wrzeciona.
Podczas ogrzewania ciepłe powietrze nie jest dostarczane.	Upewnij się, że temperatura zadana nagrzewnicy jest wyższa niż temperatura w pomieszczeniu. Kilkakrotnie włączyć/wyłączyć przycisk nagrzewnicy, aby upewnić się, że nagrzewnica jest włączona.
Nagrzewnica nie działa.	Wyłącz wszystkie tryby pracy i odłącz urządzenie od gniazdka ściennego na 5 minut. Po 5 minutach podłącz urządzenie z powrotem do gniazdka sieciowego i korzystaj z niego w normalny sposób.
Na wyświetlaczu panelu sterowania pojawia się błąd "E1".	Wyłącz wszystkie tryby pracy i odłącz urządzenie od gniazdka ściennego na 5 minut. Po 5 minutach podłącz urządzenie z powrotem do gniazdka sieciowego i korzystaj z niego jak zwykle.
Pilot zdalnego sterowania nie działa.	Zdejmij plastikowy arkusz izolujący baterię. / Przybliż pilota do urządzenia. / Wymień baterię w pilocie.

DEKLARACJA ZGODNOŚCI



Niniejsze urządzenie jest zgodne z następującymi Europejskimi Dyrektywami: 2014/35/UE (LVD), 2014/30/UE (EMC), 2009/125/WE (ERP), 2011/65/UE (RoHS).

KARTA INFORMACYJNA PRODUKTU

Identyfikator(-y) modelu: AF24 MULTICOLOR, AF38 MULTICOLOR, AF58 MULTICOLOR					
Parametr	Oznaczenie	Wartość	Jednostka	Parametr	Jednostka
Moc cieplna				Sposób doprowadzania ciepła wyłącznie w przypadku elektrycznych akumulacyjnych miejscowych ogrzewaczy pomieszczeń	
Nominalna moc cieplna	P_{nom}	1,8	kW	ręczny regulator doprowadzania ciepła z wbudowanym termostatem	nd.
Minimalna moc cieplna (orientacyjna)	P_{min}	0,9	kW	ręczny regulator doprowadzania ciepła z pomiarem temperatury w pomieszczeniu lub na zewnątrz	nd.
Maksymalna stała moc cieplna	$P_{max,c}$	1,8	kW	elektroniczny regulator doprowadzania ciepła z pomiarem temperatury w pomieszczeniu lub na zewnątrz	nd.
Zużycie energii elektrycznej na potrzeby własne				moc cieplna regulowana wentylatorem	
Przy nominalnej mocy cieplnej	eI_{max}	nd.	kW	Rodzaj mocy cieplnej/regulacja temperatury w pomieszczeniu	
Przy minimalnej mocy cieplnej	eI_{min}	nd.	kW	jednostopniowa moc cieplna bez regulacji temperatury w pomieszczeniu	[nie]
W trybie czuwania	eI_{sb}	0,7	W	co najmniej dwa ręczne stopnie bez regulacji temperatury w pomieszczeniu	[nie]
				mechaniczna regulacja temperatury w pomieszczeniu za pomocą termostatu	[nie]
				elektroniczna regulacja temperatury w pomieszczeniu	[nie]
				elektroniczna regulacja temperatury w pomieszczeniu ze	[nie]
				elektroniczna regulacja temperatury w pomieszczeniu ze sterownikiem tygodniowym	[tak]
Inne opcje regulacji					
				regulacja temperatury w pomieszczeniu z wykrywaniem obecności	[nie]
				regulacja temperatury w pomieszczeniu z wykrywaniem otwartego okna	[tak]
				z regulacją na odległość	[nie]
				z adaptacyjną regulacją startu	[nie]
				z ograniczeniem czasu pracy	[nie]
				z czujnikiem ciepła promieniowania	[nie]
Dane teleadresowe	ARTIFLAME Sp. z o.o., Grabie 37, 32-002 Węgrzce Wielkie, Polska				

ZOBOWIĄZANIA GWARANCYJNE

Uwaga! Kupując lub otrzymując produkt, sprawdź czy nie jest uszkodzony, kompletność i użyteczność, a także dostępność instrukcji obsługi.

Warunki serwisu gwarancyjnego

Okres gwarancji na produkt wynosi 2 lata licząc od daty sprzedaży lub odbioru przy posiadaniu towarowego lub kasowego/fiskalnego lub transportowego dokumentu wskazującego datę sprzedaży lub odbioru produktu. Kupujący ma prawo do naprawy gwarancyjnej produktu w okresie gwarancyjnym, jeśli zepsuł się z powodu wad materiałowych lub produkcyjnych. Powyższy okres gwarancji dotyczy wyłącznie produktów używanych do celów osobistych, rodzinnych lub domowych, niezwiązanych z działalnością gospodarczą.

Kupujący traci prawo do naprawy gwarancyjnej w przypadku:

- Naruszenie zasad montażu i użytkowania podanych w instrukcji obsługi.
- Wykorzystania produktu do innych celów.
- Nieprawidłowego podłączenia produktu do sieci elektroenergetycznej.
- Jeżeli wadliwe działanie produktu jest spowodowane niewłaściwym przechowywaniem lub uszkodzeniem mechanicznym podczas transportu lub użytkowania.
- Jeśli produkt ma poważne zanieczyszczenia, zarówno wewnętrzne, jak i zewnętrzne, rdzę.
- Jeśli produkt ma ślady samo-otwierania/naprawy lub ma konstruktywne zmiany.
- Jeśli użytkowanie urządzenia było kontynuowane od czasu wystąpienia usterki i nie zostało przerwane.
- Obecność obcych przedmiotów, płynów, substancji lub owadów wewnątrz produktu.
- Jeśli etykieta zostanie usunięta z produktu.
- Normalnego zużycia części produktu spowodowane nadmierną eksploatacją. Równomierne zużycie części przy braku wad fabrycznych nie nadaje prawa do ich wymiany w ramach rękojmi.
- Szkody spowodowane klęską żywiołową (pożar, powódź itp.) lub czynnikami gospodarstwa domowego (przeciążenie, spadek napięcia, przerwa w dostawie prądu itp.).

Gwarancja nie obejmuje żarówek.

W przypadku wszelkich pytań dotyczących serwisu gwarancyjnego w UE prosimy o kontakt z autoryzowanym serwisem: **+48 12 333 60 74, sklep@artiflame.pl.**

Prosimy o wypełnienie poniższego formularza pismem drukowanym i zwrócenie nam go razem z uszkodzonym produktem:

Imię, Nazwisko: _____

Adres: _____

Kod pocztowy, miejsce zamieszkania: _____

Data, podpis: _____

Model: _____

Przyczyna reklamacji: _____

DEUTSCH

Anmerkung:

Dieses Produkt ist nur für gut isolierte Räume oder für den gelegentlichen Gebrauch geeignet.

INHALTSVERZEICHNIS

Allgemeine Informationen
Lieferungsset
Spezifikation
Informationen zur Sicherheit
Installation
Gerätesteuerung
Pflege und Wartung
Entsorgung
Fehlersuche
Konformitätserklärung
Produktdatenblatt
Gewährleistungsverpflichtungen

ALLGEMEINE INFORMATIONEN

Sehr geehrter Kunde,

Vielen Dank, dass Sie sich für den Elektrokamin ArtiFlame entschieden haben – ein elektrisches Haushaltsgerät, das einen Raum mit einer Flammenimitationsfunktion beheizt.

Die Einhaltung der Qualitätsstandards, die Funktionalität und das Design dieses Geräts garantieren Ihnen eine zuverlässige und bequeme Nutzung.

Bei ordnungsgemäßer Installation und Verwendung werden Sie viele Jahre lang Freude an dem Gerät haben.

Das Gerät kann in ein Kaminportal, ein Schrankmöbel, eine Wandnische, eine Gipskartonplatte oder eine andere speziell vorbereitete Einfassung eingebaut werden.

Bitte lesen Sie das Benutzerhandbuch sorgfältig durch, bevor Sie das Gerät installieren und zum ersten Mal benutzen.

Bewahren Sie dieses Benutzerhandbuch während der gesamten Lebensdauer des Geräts oder für den nächsten Besitzer an einem zugänglichen Ort auf.

Anmerkungen:

In diesem Handbuch kann der elektrische Einbaukamineinsatz mit Heizung folgende Bezeichnungen tragen: Gerät, Ausrüstung, Artikel, Produkt, Heizung, Elektrokamin, Kamin usw.

Zur Verbesserung des Gerätes behält sich der Hersteller das Recht vor, Aussehen, Konstruktion, Lieferumfang und Spezifikation des Gerätes ohne vorherige Ankündigung zu ändern.

In den Texten, digitalen Bezeichnungen und Bildern können technische und typografische Fehler auftreten.

LIEFERUNGSSET

Elektrischer Einbaukamineinsatz mit Heizung – 1 Stk.

Fernbedienung – 1 Stk.

Benutzerhandbuch mit Abschnitt über die Garantieverpflichtungen – 1 Stk.

AF24 MULTICOLOR / AF38 MULTICOLOR

Montagewinkel – 4 Stk.

Schrauben – 16 Stk.

AF58 MULTICOLOR

Schrauben – 4 Stk.

SPEZIFIKATION

Heizfläche: bis zu 30 Quadratmeter

Nennspannung: 220–240 V

Nennfrequenz: 50 Hz

Nennleistung: 900 / 1800 W

Schutz gegen elektrischen Schlag: Klasse I

Herstellungsdatum: siehe Etikett auf dem Gerät

Lebensdauer: unbegrenzt

AF24 MULTICOLOR

Herddiagonale: 24 Zoll

Nettogewicht: 11 kg

Produktgröße (Breite x Höhe x Tiefe), mm: 612 x 500 x 190

Größe der Öffnung (Breite x Höhe), mm: 585 x 480

AF38 MULTICOLOR

Herddiagonale: 38 Zoll

Nettogewicht: 15,5 kg

Produktgröße (Breite x Höhe x Tiefe), mm: 993 x 414 x 190

Größe der Öffnung (Breite x Höhe), mm: 966 x 395

AF58 MULTICOLOR

Herddiagonale: 58 Zoll

Nettogewicht: 24,8 kg

Produktgröße (Breite x Höhe x Tiefe), mm: 1482 x 425 x 190

Größe der Öffnung (Breite x Höhe), mm: 1440 x 414

Achtung! Wenn Sie das Gerät in einem Raum mit niedrigem Geräuschpegel verwenden, können Sie das Geräusch des Mechanismus hören, der das Funktionieren der Flamme gewährleistet. Das ist normal und sollte kein Grund zur Sorge sein.

INFORMATIONEN ZUR SICHERHEIT

Der Benutzer ist in vollem Umfang für die qualifizierte Installation des Geräts und für dessen Sicherheit während des Betriebs verantwortlich.



ACHTUNG! Wichtige Informationen und nützliche Tipps zur Verwendung des Geräts.

Befolgen Sie die üblichen Sicherheitshinweise, einschließlich der in diesem Handbuch enthaltenen Anweisungen und Vorsichtsmaßnahmen, um das Gerät sicher zu betreiben und die Gefahr von Bränden, Stromschlägen oder Verletzungen zu vermeiden.

Installieren und verwenden Sie das Gerät in Übereinstimmung mit den örtlichen Elektrovorschriften und anderen Bauvorschriften.

Vergewissern Sie sich vor der Installation und Verwendung des Geräts, dass die auf dem Gerät angegebene Versorgungsspannung mit der Spannung des vorhandenen Stromkreises übereinstimmt.

Achten Sie nach der Installation des Geräts darauf, dass sein Stecker frei zugänglich ist.

Die gleichzeitige Verwendung des Heizgerätes mit anderen leistungsstarken elektrischen Geräten im gleichen Stromkreis kann die Sicherung im Gerät oder im angeschlossenen Stromkreis auslösen.

Verwenden Sie das Gerät in einem gut belüfteten Raum.

Nach der ersten Benutzung des Heizgerätes kann ein schwacher, harmloser Geruch auftreten. Dies ist auf den ersten Start der internen Heizungsteile zurückzuführen und sollte kein Grund zur Besorgnis sein; dieser Geruch wird schnell vergehen.

Das Gerät ist mit einer thermischen Schutzfunktion ausgestattet. Im Falle einer Überhitzung schaltet sich das Gerät von selbst ab, um Schäden oder Brandgefahr zu vermeiden. Sobald sich das Gerät abgekühlt hat, kann es wieder eingeschaltet werden.

Das Gerät ist nur für den normalen Hausgebrauch bestimmt; es darf nicht für industrielle Zwecke verwendet werden.

Eine unsachgemäße Installation des Geräts kann zu erheblichen Risiken führen. Wenn Sie das Gerät nicht selbst an das Stromnetz anschließen können oder Zweifel an der Funktionsfähigkeit des Geräts bestehen, wenden Sie sich an eine Elektrofachkraft.

Das Gerät enthält keine Teile, die eine Wartung durch den Benutzer erfordern.

Setzen Sie Pflanzen und Tiere nicht dem direkten Heißluftstrom des Geräts aus.



WARNUNGEN, die zu beachten sind, um Schäden am Gerät zu vermeiden.

Verwenden Sie das Gerät nicht im Freien.

Schalten Sie das Gerät nicht sofort nach dem Transport oder der Lagerung in der Kälte ein. Lassen Sie es vor dem Einschalten mindestens 3 Stunden bei Raumtemperatur stehen, um Schäden durch Kondenswasserbildung an den Innenteilen des Geräts zu vermeiden.

Falls vorhanden, verwenden Sie zum Bewegen des Geräts Griffe.

Schalten Sie das Gerät nicht in seiner Verpackung ein.

Dieses Gerät ist nicht für die Verwendung in Badezimmern, Waschküchen und ähnlichen Innenräumen vorgesehen. Stellen Sie das Gerät niemals so auf, dass es in eine Badewanne oder einen anderen Wasserbehälter fallen kann.

Installieren oder verwenden Sie das Gerät nicht direkt unter einer Steckdose.

Verlegen Sie das Netzkabel nicht unter dem Teppichboden. Decken Sie das Netzkabel nicht mit Teppichen, Läufern oder Ähnlichem ab. Verlegen Sie das Netzkabel nicht in belebten Bereichen und so, dass niemand darüber stolpern kann.

Schließen Sie das Gerät immer direkt an eine Steckdose an, ohne ein Verlängerungskabel oder einen Adapter zu verwenden.

Schließen Sie das Gerät nur an ordnungsgemäß geerdete Steckdosen an.

Verwenden Sie das Gerät nicht mit einem verdrehten Netzkabel.

Achten Sie bei der Verwendung des Geräts darauf, dass das Netzkabel nicht mit erhitzten Oberflächen in Berührung kommt.

Ziehen Sie immer den Netzstecker, wenn Sie das Gerät nicht benutzen.

Um das Gerät vom Stromnetz zu trennen, schalten Sie das Gerät aus und ziehen Sie den Stecker aus der Steckdose.

Verwenden Sie das Gerät nicht als Wäschetrockner.

Stellen Sie das Gerät nicht in der Nähe von Heizgeräten auf.

Verwenden Sie keine Geräte mit Zeitschaltuhr oder andere technische Einrichtungen, die das Gerät oder den Stromkreis, an den es angeschlossen ist, automatisch ein- und ausschalten.



WARNUNGEN, die unbedingt zu beachten sind, um Verletzungen von Personen zu vermeiden.

Verwenden Sie das Gerät nur wie in diesem Handbuch beschrieben. Jede andere Verwendung, die nicht vom Hersteller empfohlen wird, kann zu Bränden, elektrischen Schlägen oder Verletzungen von Personen führen und das Erlöschen der Garantie zur Folge haben.

Kinder, Personen mit eingeschränkten körperlichen, sensorischen oder geistigen Fähigkeiten sowie Personen ohne ausreichende Kenntnisse und Erfahrungen dürfen das Gerät nicht benutzen, es sei denn, sie werden von einer für ihre Sicherheit verantwortlichen Person beaufsichtigt oder sind ordnungsgemäß in die Benutzung des Geräts eingewiesen worden.

Lassen Sie Kinder nicht unbeaufsichtigt in der Nähe des Bediengeräts.

Lassen Sie Kinder nicht mit dem Gerät und dem Verpackungsmaterial spielen.

Seien Sie besonders vorsichtig, wenn Sie das Gerät in Anwesenheit von Kindern und Menschen mit Behinderungen benutzen und wenn es in Betrieb und unbeaufsichtigt ist.

Verwenden Sie das Gerät nicht in einer ungesicherten Position. Das Gerät muss immer sicher in einem Kaminportal, einem Schrankmöbel, einer Wandnische, einer Gipskartonplatte oder einer anderen speziell vorbereiteten Einfassung befestigt werden.

Achten Sie darauf, dass kein Wasser auf das Gerät gelangt.

Schalten Sie das Gerät nicht ein, wenn Wasser auf einen Teil des Geräts gelangt.

Wenn das Gerät ins Wasser gefallen ist, ziehen Sie sofort den Netzstecker aus der Steckdose, ohne das Gerät oder das Wasser zu berühren.

Berühren Sie das Gerät während des Betriebs nicht mit nassen Händen.

Das Gerät erhitzt sich während des Betriebs. Um Verbrennungen zu vermeiden, sollten Sie die heißen Oberflächen nicht berühren.

Decken Sie das Gerät niemals ab, wenn es in Betrieb ist.

Um eine Überhitzung, Entzündung oder einen möglichen Brand zu vermeiden, dürfen die Lufteinlässe und der Abzug, die zur Belüftung des Geräts und zum Abführen der heißen Luft aus dem Heizgerät dienen, auf keinen Fall blockiert werden.

Stellen Sie das Gerät nicht auf weichen Oberflächen (Betten, Sofas, Teppiche usw.) mit eingeschränkter Luftzirkulation auf.

Stecken Sie keine Fremdkörper in die Belüftungs- oder Abluftöffnungen und lassen Sie sie nicht hinein.

Halten Sie brennbare Materialien wie Möbel, Kissen, Bettzeug, Papiere, Kleidung und Vorhänge mindestens 1 Meter von der Vorderseite des Heizgeräts entfernt. Vermeiden Sie es, solche Gegenstände hinter und auf beiden Seiten des Geräts zu platzieren.

Im Inneren des Geräts befinden sich heiße und funkelnde Teile. Verwenden Sie das Gerät nicht in Bereichen, in denen Benzin, Farben oder entflammbare Flüssigkeiten verwendet oder gelagert werden.

Schalten Sie das Gerät aus und lassen Sie es abkühlen, bevor Sie es bewegen.

Wenn Sie den Stecker aus der Steckdose ziehen, ziehen Sie nicht am Kabel, sondern am Stecker selbst.

Nehmen Sie das Gerät nicht auseinander und verändern Sie es nicht.

Betreiben Sie das Gerät nicht mit einem beschädigten Kabel oder Stecker oder nachdem das Gerät eine Fehlfunktion aufweist, heruntergefallen ist oder in irgendeiner Weise beschädigt wurde.

Wenn Rauch, Funken oder ein starker Geruch nach verbrannter Isolierung aus dem Gerät kommt, stellen Sie den Betrieb sofort ein und ziehen Sie den Stecker aus der Steckdose.

Wenn das Gerät defekt oder beschädigt ist, versuchen Sie nicht, es zu reparieren. Wenden Sie sich zur Überprüfung, elektrischen oder mechanischen Einstellung oder Reparatur an eine Kundendienststelle.

INSTALLATION



WARNUNG! Seien Sie vorsichtig mit scharfen Kanten und Ecken des Geräts.



WARNUNG! Installieren Sie das Gerät mit zwei Personen, um Verletzungen und Schäden zu vermeiden.

Das Gerät sollte in einem Rahmen geeigneter Größe eingesetzt werden (Kaminportal, Schrankmöbel, Wandnische, Gipskartenelement usw.).

Um eine gute Belüftung zu gewährleisten, muss über und hinter dem Gerät ein Abstand von mindestens 50 mm eingehalten werden, so dass eine Luftschicht zwischen dem Gerät und den umgebenden Teilen entsteht.

Es wird nicht empfohlen, das Gerät in der Nähe starker Lichtquellen zu installieren, um die Qualität der Flammeneffekte nicht zu beeinträchtigen.

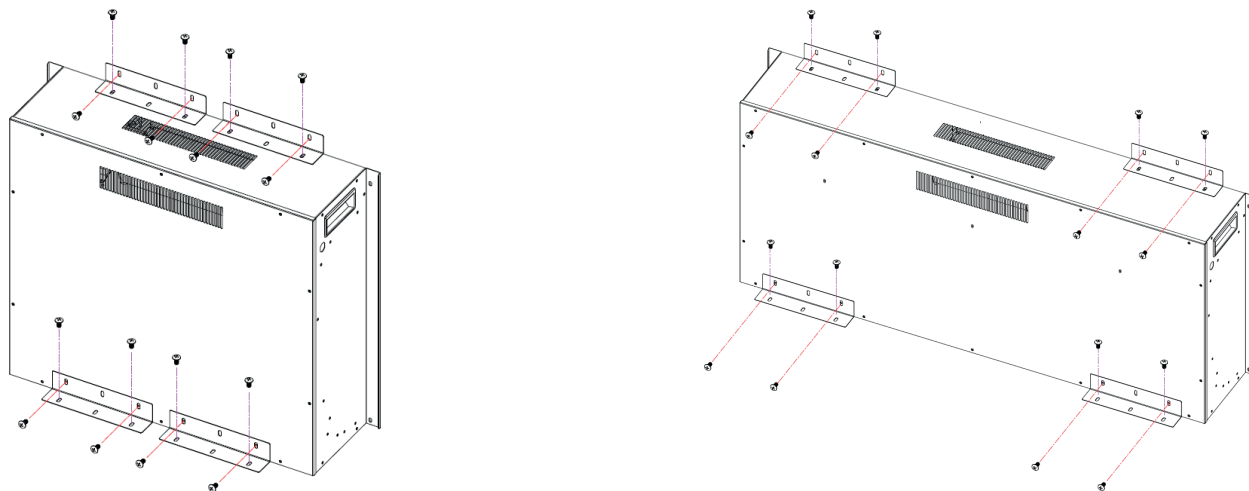
Nehmen Sie das Gerät vorsichtig aus seiner Verpackung. Bewahren Sie die Verpackung auf, um das Gerät bei Bedarf sicher transportieren zu können.

Führen Sie vor der endgültigen Installation des Geräts einen Einschalttest an einer geeigneten Steckdose durch.

Die Vorrichtung wird von innen in den Rahmen eingebaut. Setzen Sie das Gerät vorsichtig auf der Rückseite des Rahmens ein und zentrieren Sie es in der Öffnung. Versuchen Sie nicht, das Gerät von der Vorderseite des Rahmens aus einzubauen – es wird nicht passen.

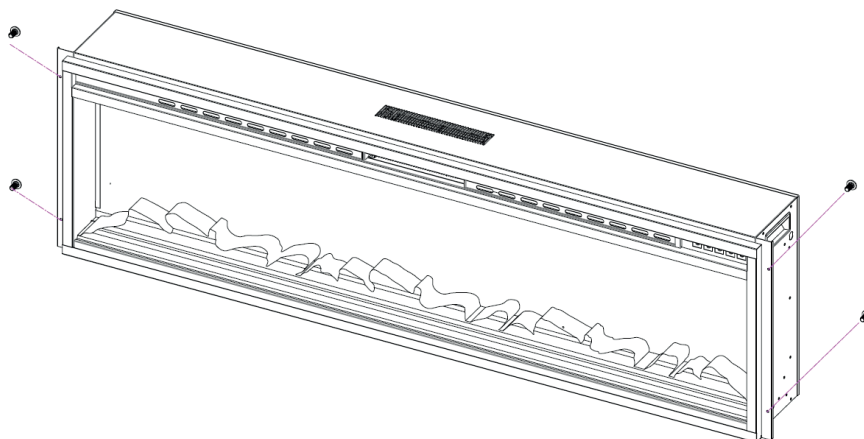
AF24 MULTICOLOR / AF38 MULTICOLOR

Überprüfen Sie die Ausrichtung und befestigen Sie das Gerät mit den Montagewinkeln und Schrauben durch die Bohrlöcher an den Montagewinkeln und am Gerät am Rahmen.



AF58 MULTICOLOR

Überprüfen Sie die Ausrichtung und befestigen Sie das Gerät mit Schrauben durch die Bohrlöcher der Montageleisten am Rahmen.



Um die Sicherheit zu gewährleisten, muss das Gerät sicher montiert und im Rahmen befestigt werden, so dass es sich während der Benutzung nicht bewegen kann.

GERÄTESTEUERUNG

Zur Bedienung des Geräts können sowohl das Bedienfeld als auch die Fernbedienung verwendet werden.

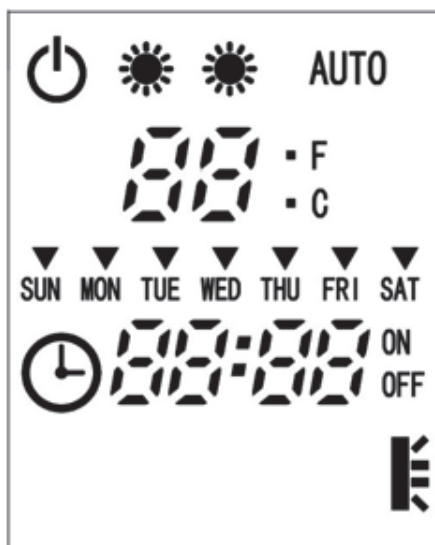
Das Gerät verfügt über einen Heiz- und einen Flammenmodus.

Anmerkung:

Das Gerät ist nicht für die Verwendung als reines Heizgerät ohne Flamme ausgelegt.

Digitalanzeige und Funktionsanzeige

Die Digitalanzeige und die Funktionsanzeige zeigt die Informationen zu den gewählten Einstellungen an.



Bedienfeld

Das Bedienfeld befindet sich in der oberen rechten Ecke der Vorderseite des Geräts. Elemente des Bedienfelds:

- Hauptnetzschalter (1),
- Taste für die Hauptflammenfarbe (2),
- Taste für die Farbe der Brennholzflamme (3),
- Heizungstaste (4),
- Timer-Taste (5).



Hauptnetzschalter (1)

Drücken Sie die Hauptschalter Taste, um das Gerät ein- und auszuschalten. Drücken Sie die Hauptschalter Taste einmal, um das Gerät einzuschalten. Drücken Sie die Hauptschalter Taste erneut, um das Gerät auszuschalten.

Farbkontrolle der Hauptflamme (2)



Drücken Sie die Taste (2), um die Hauptflammenfarbe einzustellen: F1 (Mischung aus orange und blau) – F2 (orange) – F3 (blau) – F4 (zyklisch / stufenloser automatischer Wechsel der Hauptflammenfarbe).

Farbkontrolle der Brennholzflamme (3)

Drücken Sie die Taste (3), um die Farbe der Brennholzflamme einzustellen: L1 (orange) – L2 (blau) – L3 (rosa) – L4 (zyklisch, mit zusätzlichem gelb / stufenloser automatischer Wechsel der Brennholzflammenfarbe).

Heizungssteuerung (4)

Die Heizung wird mit der Heizungstaste ein- und ausgeschaltet.

Drücken der Heizungstaste	Zustand des Heizgerätes	Wert auf der Digitalanzeige
Erste Druck	Heizgerät ausgeschaltet	00
Zweite Druck	Dauerheizung mit niedriger Leistung – 900 W	Lo 
Dritte Druck	Dauerheizen mit hoher Leistung – 1800 W	Hi 
Vierter Druck	Heizgerät ausgeschaltet	00

Um den Temperaturregelungsmodus aufzurufen oder zu beenden, halten Sie die Heiztaste bei eingeschaltetem Heizgerät 3 Sekunden lang gedrückt. Stellen Sie mit der Heizungstaste die gewünschte Raumtemperatur von 17 °C bis 27 °C in Celsius (von 62 °F bis 82 °F in Fahrenheit) oder "oN" für Dauerheizung ein. Die Leistungsstufe (Niedrig/Hoch) hängt von der beim Einschalten des Heizgeräts gewählten Heizleistungsart ab. Wenn das Heizgerät mit der gewählten Heiztemperatur arbeitet, zeigt die Digitalanzeige "AUTO" an. Die Heizung schaltet sich automatisch aus, wenn die Raumtemperatur den Sollwert erreicht, und schaltet sich automatisch wieder ein, wenn die Raumtemperatur unter den Sollwert fällt. Vergewissern Sie sich, dass die eingestellte Temperatur des Heizgeräts höher ist als die Raumtemperatur; andernfalls kann sich das Heizgerät nicht einschalten oder fehlerhaft arbeiten.

Um die Temperaturskala zwischen Celsius (C) und Fahrenheit (F) umzuschalten, halten Sie die Taste für die Hauptflammenfarbe (2) 3 Sekunden lang gedrückt, wenn das Heizgerät eingeschaltet ist.

Das Gerät verfügt über eine Funktion zur Erkennung eines offenen Fensters. Wenn die Innentemperatur innerhalb von 5 Minuten um 3 Grad unter den eingestellten Wert fällt, unterbricht das Gerät die Wärmezufuhr, der Summer ertönt 5 Mal und die Digitalanzeige erscheint:



Anmerkung:

Nach dem Ausschalten des Heizgeräts kann das Heizgebläse noch einige Zeit arbeiten, um die inneren Teile des Geräts zu kühlen.

Timer-Funktion (5)

Das Gerät ist mit einem Selbstabschaltungs-Timer mit Zeitintervallen von 30 Minuten bis 9 Stunden ausgestattet. Drücken Sie die Timer-Taste nacheinander, um ein Zeitintervall von 30 Minuten bis 9 Stunden zu wählen: 30 – 1H – 2H – 3H – 4H – 5H – 6H – 7H – 8H – 9H. Wenn der Timer aktiviert ist, zeigt die Digitalanzeige an:



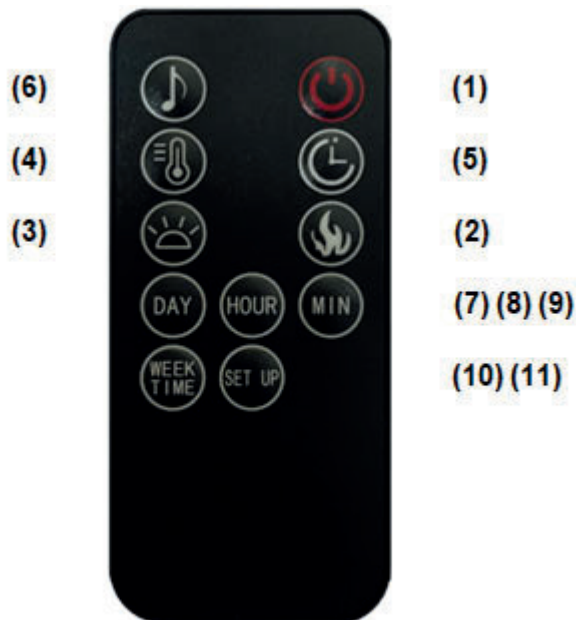
Fernsteuerung

Die Tasten auf der Fernbedienung funktionieren genauso wie die Tasten auf der Vorderseite des Geräts. Lesen Sie den Abschnitt Gerätesteuerung, um weitere Informationen über die Funktion dieser Tasten zu erhalten.

Fernbedienungselemente:

- Hauptnetzschalter (1),
- Taste für die Hauptflammenfarbe (2),

- Taste für die Farbe der Brennholzflamme (3),
- Heizungstaste (4),
- Timer-Taste (5),
- Taste für den Sound von brennendem Holz (6),
- Tasten für Uhr und Wochentagsregelung (7, 8, 9, 10, 11).



Brennende Holz-Soundfunktion (6)

Drücken Sie die Taste (6) auf der Fernbedienung, um der Sound des brennenden Holzes ein- oder auszuschalten. Die Digitalanzeige zeigt "51" an, wenn der Sound von brennendem Holz eingeschaltet ist, und "50", wenn der Sound von brennendem Holz ausgeschaltet ist.

Uhr-Funktion (7, 8, 9)

Drücken Sie die Taste (7) auf der Fernbedienung, um den aktuellen Wochentag einzustellen, und verwenden Sie die Tasten (8) für Stunden und (9) für Minuten, um die aktuelle Uhrzeit einzustellen.

Der aktuelle Wochentag und die Uhrzeit werden auf dem digitalen Display angezeigt, sobald es aktiviert wird.

Wenn das Gerät vom Stromnetz getrennt wird, werden die Einstellungen der Uhr zurückgesetzt.

Wochentagsregelung-Funktion (8, 9, 10, 11)

Mit der Funktion Wochentagsregelung kann die Heizung so eingestellt werden, dass sie sich automatisch für ein voreingestelltes Zeitintervall pro Tag in einem Wochenzyklus (MON – TUE – WED – THU – FRI – SAT – SUN) innerhalb der zuletzt manuell eingestellten Heizeinstellungen ein- und ausschaltet.

Drücken Sie die Taste (10) auf der Fernbedienung, um die Wochentagsregelung-Funktion zu aktivieren. Stellen Sie mit den Tasten (8) für Stunden und (9) für Minuten die Zeit für das Einschalten der Heizung am Montag ein. Drücken Sie die Taste (11), um zur Einstellung der Zeit für das Ausschalten der Heizung am Montag zu gelangen. Stellen Sie mit den Tasten (8) für Stunden und (9) für Minuten die Zeit für das Ausschalten der Heizung am Montag ein. Drücken Sie die Taste (10), um mit der Einstellung der Ein-/Ausschaltzeit der Heizung für den nächsten Tag fortzufahren.

Gehen Sie genauso vor, um Zeitintervalle für andere Tage einzustellen.

Wenn Sie die Tasten der Wochentagsregelung-Funktion länger als 3 Sekunden nicht mehr drücken, wird die Wochentagsregelung-Funktion beendet und die vorherige Einstellung bestätigt.

Um die Einstellungen des Wochentagsregelung zu überprüfen, drücken Sie nacheinander die Taste (10), um die Einschaltzeit für jeden Tag anzuzeigen; verwenden Sie die Taste (11), um die Ausschaltzeit anzuzeigen; um die Einstellungen des Wochentagsregelung zu ändern, verwenden Sie die Tasten (8) für Stunden und (9) für Minuten.

Um die Wochentagsregelung für einen bestimmten Wochentag zu deaktivieren, stellen Sie 00:00 für die Ein- und Ausschaltzeiten der Heizung ein.

Um den Wochentagsregelung manuell zu deaktivieren, ziehen Sie den Stecker aus der Steckdose und schalten Sie das Gerät wieder ein.

Richten Sie die Fernbedienung auf die Vorderseite des Geräts, um ihre Funktionsfähigkeit zu verbessern. Vermeiden Sie es, den Infrarotsender auf dem Bedienfeld direktem Sonnenlicht auszusetzen.

Drücken Sie die Tasten der Fernbedienung nicht zu fest oder zu oft. Warten Sie ein wenig, bevor das Gerät einen Befehl ausführt.

Behandeln Sie die Fernbedienung vorsichtig. Lassen Sie sie nicht fallen, treten Sie nicht darauf, und achten Sie darauf, dass die Fernbedienung nicht nass wird.

Die Batterie wird mit einer Fernbedienung geliefert. Der Batteriecode lautet CR2025 3V.

Bei der Fernbedienung muss als erstes die Plastikfolie entfernt werden, die die Batterie isoliert.

Achten Sie beim Einlegen der Batterie darauf, dass ihre Polarität mit den Markierungen im Batteriefach der Fernbedienung übereinstimmt.

Nehmen Sie die Batterie aus der Fernbedienung heraus, wenn Sie sie für längere Zeit nicht benutzen werden.

Wechseln Sie die Batterie in der Fernbedienung rechtzeitig aus.

Versuchen Sie, keine wiederaufladbaren Batterien zu verwenden.

PFLEGE UND WARTUNG



WARNUNG! Trennen Sie das Gerät immer von der Stromversorgung, bevor Sie es reinigen. Schalten Sie zuerst den Hauptstrom aus. Ziehen Sie dann den Netzstecker aus der Steckdose.



WARNUNG! Verwenden Sie das Gerät nicht, wenn ein Teil davon unter Wasser gewesen ist. Rufen Sie sofort einen qualifizierten Techniker, der das Gerät überprüft.



WARNUNG! Vergewissern Sie sich vor der Reinigung des Geräts, dass es vollständig abgekühlt ist.

Der Heizgebläsemotor und der Flammenmotor sind für eine lange Betriebsdauer vorgeschmiert und benötigen keine weitere Schmierung oder Wartung.

Das Auslassgitter des Heizlüfters sollte gelegentlich mit dem weichen Bürstenaufsatz eines Staubsaugers gereinigt werden, um eventuelle Staub-, Flusen- und Insektenansammlungen zu entfernen.

Verwenden Sie zum Abstauben ein weiches, sauberes Tuch, das die Oberfläche nicht zerkratzt.

Verwenden Sie ein sauberes, weiches, mit warmem Wasser angefeuchtetes Tuch, um die Oberfläche des Geräts zu reinigen. Verwenden Sie keine Haushalts- oder Scheuermittel, da diese Produkte die Oberfläche beschädigen können.

Verwenden Sie zur Reinigung der Glasplatte des Geräts ein nicht scheuerndes, feuchtes Tuch (nicht nass) und gegebenenfalls einen Flüssigreiniger oder Flüssigseife. Verwenden Sie kein Scheuermittel oder andere Produkte mit scheuernden Substanzen, da diese die Glasplatte des Geräts zerkratzen können.

Das Gerät darf unter keinen Umständen mit einer zerbrochenen oder gesprungenen Glasscheibe betrieben werden.

Schlagen Sie nicht auf die Glasscheibe des Geräts und lassen Sie es nicht fallen.

Bevor Sie das Gerät an die Stromversorgung anschließen, vergewissern Sie sich, dass es vollständig trocken ist.

Wenn das Gerät nicht benutzt wird, ziehen Sie das Netzkabel aus der Steckdose, um Schäden am Gerät oder ein versehentliches Herausziehen des Netzkabels zu vermeiden.

ENTSORGUNG



Die Verpackungsmaterialien des Geräts sind recycelbar und wiederverwendbar. Bitte entsorgen Sie das Verpackungsmaterial nicht mit dem Hausmüll, sondern geben Sie es bei einer entsprechenden Sammelstelle zum Recycling ab.



Das Gerät soll nach Ablauf seiner Lebensdauer entsorgt werden. Das Gerät enthält wertvolle Materialien, die recycelt werden können. Bitte entsorgen Sie das Gerät nicht über den Hausmüll, sondern geben Sie es bei einer entsprechenden Sammelstelle für Elektroaltgeräte ab.

Bitte entsorgen Sie verbrauchte Batterien aus der Fernbedienung nicht mit dem Hausmüll, sondern geben Sie sie bei der entsprechenden Sammelstelle für Altbatterien ab.

FEHLERSUCHE

Problem	Lösung
Das Gerät lässt sich nicht einschalten.	Überprüfen Sie, ob das Gerät an das Stromnetz angeschlossen ist. Drücken Sie die Netztaaste auf dem Bedienfeld.
Der Hauptschalter leuchtet auf, aber es gibt keine Flammenwirkung.	Öffnen Sie die Rückwand, um zu prüfen, ob die Flammenspindel nicht aus dem Spindelmotor herausgefallen ist.
Beim Heizen wird keine warme Luft zugeführt.	Vergewissern Sie sich, dass die Solltemperatur der Heizung höher ist als die Raumtemperatur. Drehen Sie die Heizungstaste mehrmals ein/aus, um sicherzustellen, dass die Heizung eingeschaltet ist.
Die Heizung funktioniert nicht.	Schalten Sie alle Betriebsmodi aus und ziehen Sie den Stecker des Geräts für 5 Minuten aus der Steckdose. Schließen Sie das Gerät nach 5 Minuten wieder an die Steckdose an und verwenden Sie es wie gewohnt.
Auf dem Display des Bedienfelds wird der Fehler "E1" angezeigt.	Schalten Sie alle Betriebsmodi aus und ziehen Sie den Stecker des Geräts für 5 Minuten aus der Steckdose. Schließen Sie das Gerät nach 5 Minuten wieder an die Steckdose an und verwenden Sie es wie gewohnt.
Die Fernbedienung funktioniert nicht.	Entfernen Sie die Plastikfolie, die die Batterie isoliert. / Bringen Sie die Fernbedienung näher an das Gerät heran. / Legen Sie die Batterie in die Fernbedienung ein.

KONFORMITÄTSERKLÄRUNG



Dieses Gerät entspricht den folgenden europäischen Richtlinien: 2014/35/EU (LVD), 2014/30/EU (EMC), 2009/125/EC (ERP), 2011/65/EU (RoHS).

PRODUKTDATENBLATT

Modellkennung(en):	AF24 MULTICOLOR, AF38 MULTICOLOR, AF58 MULTICOLOR				
Angabe	Symbol	Wert	Einheit	Angabe	Einheit
Wärmeleistung			Nur bei elektrischen Speicher-Einzelraumheizgeräten: Art der Regelung der Wärmezufuhr		
Nennwärmeleistung	P_{nom}	1,8	kW	Manuelle Regelung der Wärmezufuhr mit integriertem Thermostat	k.A.
Mindestwärmeleistung (Richtwert)	P_{min}	0,9	kW	Manuelle Regelung der Wärmezufuhr mit Rückmeldung der Raum- und/oder Außentemperatur	k.A.
Maximale kontinuierliche Wärmeleistung	$P_{max,c}$	1,8	kW	Elektronische Regelung der Wärmezufuhr mit Rückmeldung der Raum- und/oder Außentemperatur	k.A.
Hilfsstromverbrauch			Wärmeabgabe mit Gebläseunterstützung		
Bei Nennwärmeleistung	e_{lmax}	k.A.	kW	Art der Wärmeleistung/Raumtemperaturkontrolle	
Bei Mindestwärmeleistung	e_{lmin}	k.A.	kW	Einstufige Wärmeleistung, keine Raumtemperaturkontrolle	[nein]
Im Bereitschaftszustand	e_{lSB}	0,7	W	Zwei oder mehr manuell einstellbare Stufen, keine Raumtemperaturkontrolle	[nein]
			Raumtemperaturkontrolle mit mechanischem Thermostat		
			Mit elektronischer Raumtemperaturkontrolle		
			Mit elektronischer Raumtemperaturkontrolle und Tageszeitregelung		
			Mit elektronischer Raumtemperaturkontrolle und Wochentagsregelung		
			Sonstige Regelungsoptionen		
			Raumtemperaturkontrolle mit Präsenzerkennung		
			Raumtemperaturkontrolle mit Erkennung offener Fenster		
			Mit Fernbedienungsoption		
			Mit adaptiver Regelung des Heizbeginns		
			Mit Betriebszeitbegrenzung		
			Mit Schwarzkugelsensor		
Kontaktangaben	ARTIFLAME Sp. z o.o., Grabie 37, 32-002 Węgrzce Wielkie, Polen				

GEWÄHRLEISTUNGSVERPFLICHTUNGEN

ACHTUNG! Überprüfen Sie beim Kauf oder Erhalt eines Produkts, ob es Lieferungsset überprüfen, ob es funktionstüchtig und unbeschädigt ist und ob eine Bedienungsanleitung vorhanden ist.

Bedingungen für Garantieleistungen

Die Gewährleistungsfrist für das Produkt beträgt 2 Jahre nach dem Verkauf oder dem Erhalt des Produkts, wenn ein Handels-, Kassen-, Steuer- oder Transportdokument vorliegt, das das Datum des Verkaufs oder des Erhalts des Produkts bestätigt. Der Kunde ist berechtigt, während der Garantiezeit eine Reparatur des Produkts zu gewährleisten, wenn das Produkt aufgrund von Material- oder Herstellungsfehlern ausgefallen ist. Die oben genannte Garantiezeit gilt nur für Produkte, die für persönliche, familiäre oder häusliche Zwecke verwendet werden und nicht im Zusammenhang mit geschäftlichen Aktivitäten stehen.

Der Käufer verliert das Recht auf eine Garantiereparatur im Falle von:

- Nichtbeachtung der Installations- und Gebrauchsanweisungen im Benutzerhandbuch.
- Verwendung des Produkts nicht für den vorgesehenen Zweck.
- Falscher Anschluss des Produkts an das Stromnetz.
- Wenn Fehlfunktionen des Produkts durch unsachgemäße Lagerung oder mechanische Beschädigung während des Transports oder der Verwendung verursacht werden.
- Wenn das Produkt sowohl innen als auch außen stark verschmutzt oder verrostet ist.
- Wenn das Produkt Anzeichen einer unbefugten Öffnung/Reparatur aufweist oder konstruktive Änderungen oder Modifikationen erfahren hat.
- Wenn die Verwendung des Produkts nach Auftreten der Störung fortgesetzt und nicht eingestellt wurde.
- Wenn sich Fremdkörper, Flüssigkeiten, Substanzen oder Insekten im Inneren des Produkts befinden.
- Wenn das Etikett von dem Produkt entfernt wurde.
- Normaler Verschleiß von Produktteilen durch übermäßigen Gebrauch. Ein gleichmäßiger Verschleiß von Teilen bei fehlenden Werksfehlern berechtigt nicht zu deren Austausch im Rahmen der Garantie.
- Schäden, die durch Naturkatastrophen (Feuer, Überschwemmung usw.) oder häusliche Faktoren (Überspannung, Spannungsabfall, Stromausfall usw.) verursacht werden.

Die Garantie erstreckt sich nicht auf Lampen.

Bei Fragen zur Garantieleistung in der EU wenden Sie sich bitte an die autorisierte Servicestelle:

+48 12 333 60 74, sklep@artiflame.pl.

Bitte füllen Sie das nachstehende Formular in Druckbuchstaben aus und senden Sie es zusammen mit dem beschädigten Produkt an uns zurück:

Vorname, Nachname: _____

Adresse: _____

Postleitzahl, Wohnort: _____

Datum, Unterschrift: _____

Modell: _____

Grund für die Forderung: _____

ČEŠTINA

Poznámka:

Tento výrobek je vhodný pouze pro dobře izolované prostory nebo pro příležitostné použití.

OBSAH

Obecné informace
Dodací sada
Specifikace
Bezpečnostní informace
Instalace
Ovládání zařízení
Péče a údržba
Likvidace
Řešení problémů
Prohlášení o shodě
Informační list výrobku
Záruční povinnosti

OBECNÉ INFORMACE

Vážený zákazníku,

Děkujeme, že jste si vybrali elektrický krb ArtiFlame – domácí elektrické zařízení určené k vytápění místnosti s funkcí imitace plamene.

Dodržování norem kvality, funkčnost a design tohoto zařízení vám zaručí jeho spolehlivé a pohodlné používání.

Při správné instalaci a používání vám bude přístroj sloužit mnoho let.

Zařízení lze namontovat do krbového portálu, skříňového nábytku, nástěnné niky, sádkartonové jednotky nebo jiného speciálně připraveného rámu.

Před první instalací a použitím tohoto zařízení si pečlivě přečtěte uživatelskou příručku.

Tento návod k použití uchovávejte na přístupném místě po celou dobu životnosti zařízení nebo pro dalšího majitele.

Poznámky:

V tomto návodu může mít vestavná elektrická krbová vložka s ohřevem následující názvy: zařízení, vybavení, položka, výrobek, topidlo, elektrický krb, krb atd.

Výrobce si vyhrazuje právo změnit vzhled, konstrukci, dodací sadu a specifikaci zařízení bez předchozího upozornění.

V textu, digitálních označeních a obrázcích se mohou vyskytnout technické a tiskové chyby.

DODACÍ SADA

Vestavná elektrická krbová vložka s ohřevem – 1 ks.

Dálkové ovládání – 1 ks.

Uživatelská příručka včetně části o záručních povinnostech – 1 ks.

AF24 MULTICOLOR / AF38 MULTICOLOR

Montážní držáky – 4 ks.

Šrouby – 16 ks.

AF58 MULTICOLOR

Šrouby – 4 ks.

SPECIFIKACE

Vytápěná plocha: až 30 m²

Jmenovité napětí: 220-240 V

Jmenovitá frekvence: 50 Hz

Jmenovitý výkon: 900 / 1800 W

Ochrana před úrazem elektrickým proudem: třída I

Datum výroby: viz štítek zařízení

Životnost: neomezená

AF24 MULTICOLOR

Úhlopříčka ohniště: 24 palců

Čistá hmotnost: 11 kg

Velikost výrobku (šířka x výška x hloubka), mm: 612 x 500 x 190

Velikost otvoru (šířka x výška), mm: 585 x 480

AF38 MULTICOLOR

Úhlopříčka ohniště: 38 palců

Čistá hmotnost: 15,5 kg

Velikost výrobku (šířka x výška x hloubka), mm: 993 x 414 x 190

Velikost otvoru (šířka x výška), mm: 966 x 395

AF58 MULTICOLOR

Úhlopříčka ohniště: 58 palců

Čistá hmotnost: 24,8 kg

Velikost výrobku (šířka x výška x hloubka), mm: 1482 x 425 x 190

Velikost otvoru (šířka x výška), mm: 1440 x 414

Pozor! Při používání přístroje v místnosti s nízkou hladinou hluku na pozadí můžete slyšet zvuk mechanismu, který zajišťuje fungování plamene. To je normální a nemělo by to vyvolávat obavy.

BEZPEČNOSTNÍ INFORMACE

Uživatel je plně odpovědný za kvalifikovanou instalaci zařízení a za jeho bezpečnost během provozu.



POZOR! Důležité informace a užitečné rady pro používání přístroje.

Dodržujte standardní bezpečnostní upozornění, včetně pokynů a upozornění obsažených v tomto návodu, abyste zařízení provozovali bezpečně a vyhnuli se možnému riziku požáru, úrazu elektrickým proudem nebo zranění osob.

Zařízení instalujte a používejte v souladu s místními elektrotechnickými předpisy a dalšími stavebními předpisy.

Před instalací a používáním zařízení se ujistěte, že napájecí napětí na něm uvedené odpovídá napětí dostupného elektrického obvodu.

Po instalaci zařízení zajistěte volný přístup k jeho zástrčce.

Současné používání ohřívače s jinými výkonnými elektrickými zařízeními ve stejném elektrickém obvodu může způsobit vypnutí pojistky v zařízení nebo v připojeném elektrickém obvodu.

Přístroj používejte v dobře větraných prostorách.

Po prvním použití ohřívače se může objevit slabý, neškodný zápach. Ten je způsoben prvním spuštěním vnitřních topných částí a neměl by vyvolávat obavy; tento zápach rychle pomine.

Zařízení je vybaveno funkcí tepelné ochrany. V případě přehřátí se přístroj sám vypne, aby nedošlo k jeho poškození nebo k nebezpečí požáru. Jakmile zařízení vychladne, lze jej opět zapnout.

Zařízení je určeno pouze pro běžné domácí použití; nesmí se používat pro průmyslové účely.

Nekvalifikovaná instalace zařízení může způsobit značná rizika. Pokud zařízení nedokážete sami připojit k elektrické síti nebo pokud máte pochybnosti o provozuschopnosti zařízení, zavolejte kvalifikovaného elektrikáře.

Přístroj neobsahuje žádné díly, které by vyžadovaly údržbu ze strany uživatele.

Nevystavujte rostliny a zvířata přímému proudu horkého vzduchu ze zařízení.



UPOZORNĚNÍ, která je třeba dodržovat, aby nedošlo k poškození zařízení.

Zařízení nepoužívejte ve venkovním prostředí.

Přístroj nezapínejte ihned po přepravě nebo uskladnění v chladu. Před zapnutím jej udržujte nejméně 3 hodiny při pokojové teplotě, aby nedošlo k jeho poškození v důsledku kondenzace vlhkosti na vnitřních částech zařízení.

Pokud je k dispozici, používejte při přemísťování zařízení madla.

Nezapínejte zařízení v obalu.

Toto zařízení není určeno pro použití v koupelnách, prádelnách a podobných vnitřních prostorách. Zařízení nikdy neumísťujte na místa, kde by mohlo spadnout do vany nebo jiné nádoby s vodou.

Zařízení neinstalujte ani nepoužívejte přímo pod zásuvkou.

Napájecí kabel nevedete pod koberec. Napájecí kabel nezakrývejte koberci, běhouny apod. Napájecí kabel umístěte mimo místa, kde je provoz a kde o něj nelze zakopnout.

Zařízení vždy připojujte přímo do zásuvky bez použití prodlužovacího kabelu nebo adaptéru.

Zařízení připojujte pouze k řádně uzemněným zásuvkám.

Nepoužívejte zařízení se stočeným napájecím kabelem.

Při používání zařízení dbejte na to, aby se napájecí kabel nedotýkal vyhřívaných povrchů.

Pokud přístroj nepoužíváte, vždy jej odpojte ze zásuvky.

Chcete-li zařízení odpojit, vypněte ovládací prvky a vytáhněte zástrčku ze zásuvky.

Zařízení nepoužívejte jako sušičku prádla.

Přístroj neumísťujte do blízkosti topných zařízení.

Nepoužívejte zařízení s automatickým časovačem nebo jiné technické zařízení, které automaticky zapíná/vypíná zařízení nebo elektrický obvod, ke kterému je připojeno.



UPOZORNĚNÍ, která je třeba důsledně dodržovat, aby nedošlo ke zranění osob.

Přístroj používejte pouze tak, jak je popsáno v této příručce. Jakékoli jiné použití, které není doporučeno výrobcem, může způsobit požár, úraz elektrickým proudem nebo zranění osob, jakož i zánik záruky.

Děti, osoby se zhoršenými fyzickými, smyslovými nebo duševními schopnostmi a osoby bez patřičných znalostí a zkušeností nesmějí zařízení používat, pokud nejsou pod dohledem osoby odpovědné za jejich bezpečnost nebo pokud nebyly řádně poučeny, jak zařízení používat.

Nenechávejte děti bez dozoru v blízkosti ovládacího zařízení.

Nedovolte dětem, aby si hrály s přístrojem a obalovým materiálem.

Dbejte zvýšené opatrnosti při používání přístroje v přítomnosti dětí a osob se zdravotním postižením a vždy, když je přístroj ponechán v provozu a bez dozoru.

Zařízení nepoužívejte v nezajištěné poloze. Zařízení musí být vždy bezpečně upevněno v křbovém portálu, skříňovém nábytku, nástěnné nise, sádkartonové jednotce nebo jiném speciálně připraveném rámu.

Nedovolte, aby se na přístroj dostala voda.

Pokud se na některou část přístroje dostane voda, nezapínejte jej.

Pokud zařízení spadlo do vody, okamžitě vytáhněte zástrčku ze zásuvky, aniž byste se dotýkali zařízení nebo vody.

Nedotýkejte se přístroje za provozu mokřými rukama.

Zařízení se během provozu zahřívá. Abyste se vyhnuli popáleninám, nedotýkejte se jeho horkých povrchů.

Zařízení nikdy nezakrývejte, pokud je v provozu.

Abyste zabránili přehřátí, vznícení nebo možnému požáru, nebraňte žádným způsobem přívodu vzduchu a výfuku, které slouží k větrání zařízení a odtoku horkého vzduchu z ohřívače.

Zařízení neinstalujte na měkké povrchy (postele, pohovky, koberce atd.) s omezenou cirkulací vzduchu.

Do větracích nebo výfukových otvorů nevkládejte cizí předměty ani nedovolte, aby se do nich dostaly.

Hořlavé materiály, jako je nábytek, polštáře, lůžkoviny, papíry, oděvy a záclony, udržujte ve vzdálenosti nejméně 1 metr od přední části topidla. Neumísťujte tyto předměty za jednotku a na obě její strany.

Zařízení má uvnitř horké a jiskřící části. Zařízení nepoužívejte v místech, kde se používá nebo skladuje benzín, barvy nebo hořlavé kapaliny.

Před přemístěním zařízení vypněte a nechte jej vychladnout.

Při vytahování zástrčky ze zásuvky netahejte za kabel, ale za samotnou zástrčku.

Nerozebírejte ani neupravujte konstrukci zařízení.

Nepoužívejte přístroj s poškozeným kabelem nebo zástrčkou nebo po poruše, pádu nebo jakémkoli poškození.

Pokud ze zařízení vychází kouř, jiskry nebo silný zápach spálené izolace, okamžitě jej přestaňte používat a vytáhněte zástrčku ze zásuvky.

Pokud je zařízení poškozené nebo rozbité, nepokoušejte se ho opravovat. Obrat'te se na servisní zařízení, které provede prohlídku, elektrické nebo mechanické seřízení nebo opravu.

INSTALACE



POZOR! Dávejte pozor na ostré hrany a rohy zařízení.



POZOR! Zařízení instalujte ve dvou, abyste předešli zranění a poškození.

Zařízení by mělo být použito v rámu vhodné velikosti (křbový portál, skříňový nábytek, nástěnná nika, sádkartonová jednotka atd.).

Pro zajištění správného větrání vytvořte nad a za zařízením volné prostory alespoň 50 mm tak, aby mezi zařízením a rámovými díly byla vzduchová vrstva.

Nedoporučuje se instalovat zařízení v blízkosti silných zdrojů světla, aby nedošlo ke zhoršení kvality efektů režimu plamene.

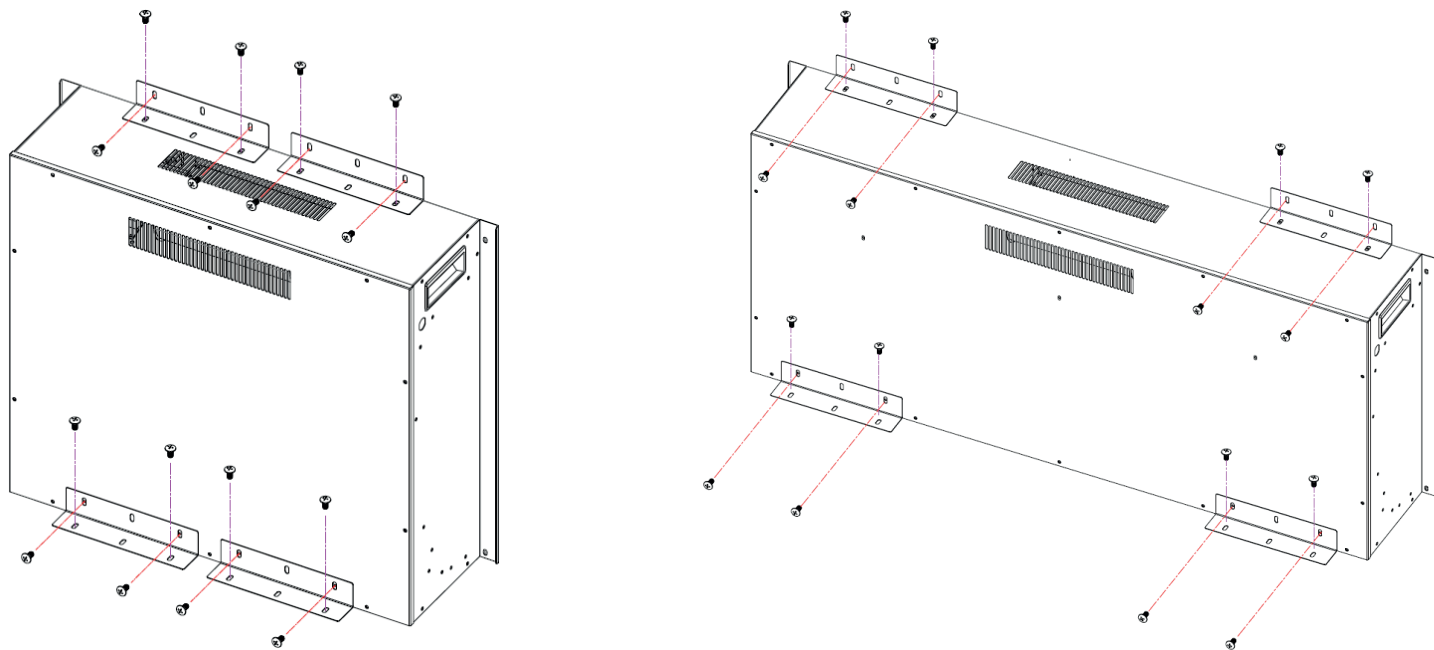
Opatrně vyjměte zařízení z obalu. V případě potřeby obal uschovejte pro budoucí použití pro bezpečnou přepravu zařízení.

Před konečnou instalací zařízení proveďte zkušební zapnutí pomocí vhodné elektrické zásuvky.

Zařízení se instaluje do rámu zevnitř. Zařízení opatrně zasuňte do zadní části rámu a vycentrujte jej v otvoru. Nepokoušejte se instalovat zařízení zepředu rámu – nevejde se tam.

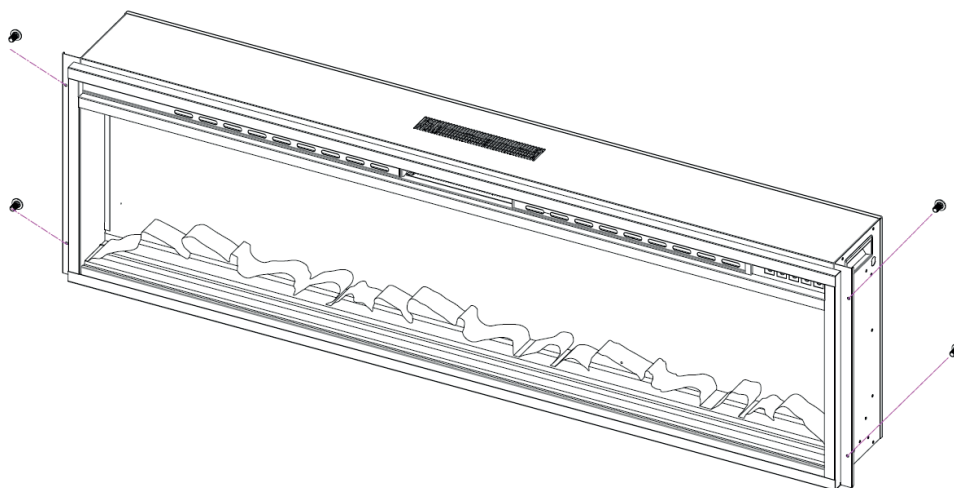
AF24 MULTICOLOR / AF38 MULTICOLOR

Zkontrolujte vyrovnaní a připevněte zařízení k rámové konstrukci pomocí montážních držáků a šroubů, které zasuňte do vyvrtaných otvorů na montážních držácích a zařízení.



AF58 MULTICOLOR

Zkontrolujte vyrovnaní a připevněte zařízení k rámové konstrukci pomocí šroubů, které zasuňte do vyvrtaných otvorů na montážních lištách.



Aby byla zajištěna bezpečnost, musí být zařízení bezpečně namontováno a upevněno v rámu tak, aby se během používání nemohlo pohybovat.

OVLÁDÁNÍ ZAŘÍZENÍ

K ovládání zařízení lze použít ovládací panel i dálkové ovládání.

Zařízení má režimy ohřevu a plamene.

Poznámka:

Zařízení není určeno k použití pouze jako ohřívač bez plamene.

Digitální displej a indikátor funkcí

Digitální displej a indikátor funkcí zobrazuje informace o zvolených nastaveních.



Ovládací panel

Ovládací panel se nachází v pravém horním rohu předního panelu zařízení. Prvky ovládacího panelu:

- hlavní tlačítko napájení (1),
- tlačítko barvy hlavního plamene (2),
- tlačítko barvy plamene palivového dřeva (3),
- tlačítko ohřívače (4),
- tlačítko časovače (5).



Hlavní tlačítko napájení (1)

Stisknutím hlavního tlačítka napájení zařízení zapnete a vypnete. Jedním stisknutím hlavního vypínače zařízení zapnete. Dalším stisknutím hlavního vypínače zařízení vypnete.

Ovládání barvy hlavního plamene (2)



Stisknutím tlačítka (2) nastavte barvu hlavního plamene: F1 (oranžová a modrá směs) – F2 (oranžová) – F3 (modrá) – F4 (cyklus / plynulá automatická změna barvy hlavního plamene).

Ovládání barvy plamene palivového dřeva (3)

Stisknutím tlačítka (3) nastavte barvu plamene palivového dřeva: L1 (oranžová) – L2 (modrá) – L3 (růžová) – L4 (cyklus s dodatečnou žlutou / plynulá automatická změna barvy plamene palivového dřeva).

Ovládání topení (4)

Ohřívač se zapíná a vypíná pomocí tlačítka ohřívače.

Stisknutí tlačítka ohřivače	Stav ohřivače	Hodnota na digitálním displeji
První stisknutí	Vyhřívání vypnuto	00
Druhé stisknutí	Nepřetržitý ohřev při nízkém výkonu – 900 W	Lo 
Třetí stisknutí	Nepřetržitý ohřev při vysokém výkonu – 1800 W	HI 
Čtvrté stisknutí	Vyhřívání vypnuto	00

Chcete-li vstoupit do režimu nastavení teploty nebo jej ukončit, stiskněte a podržte tlačítko ohřivače po dobu 3 sekund, když je ohřivač zapnutý. Tlačítkem ohřivače nastavte požadovanou teplotu v místnosti od 17 °C do 27 °C ve stupních Celsia (od 62 °F do 82 °F ve stupních Fahrenheita) nebo "oN" pro nepřetržitý ohřev. Úroveň výkonu (nízká / vysoká) závisí na režimu výkonu vytápění zvoleném při zapnutí ohřivače. Když ohřivač pracuje při zvolené teplotě ohřevu, na digitálním displeji se zobrazí "AUTO". Ohřivač se automaticky vypne, když teplota v místnosti dosáhne nastavené hodnoty, a automaticky se zapne, když teplota v místnosti klesne pod nastavenou hodnotu. Ujistěte se, že nastavená teplota ohřivače je vyšší než teplota v místnosti; jinak se ohřivač nemůže zapnout nebo může fungovat nesprávně.

Chcete-li změnit teplotní stupnici mezi stupni Celsia (C) a Fahrenheita (F), stiskněte a podržte tlačítko barvy hlavního plamene (2) po dobu 3 sekund, když je ohřivač zapnutý.

Zařízení má funkci detekce otevřeného okna. Pokud vnitřní teplota klesne během 5 minut o 3 stupně pod nastavenou hodnotu, zařízení přestane dodávat teplo, bzučák 5krát zazvoní a na digitálním displeji se zobrazí:



Poznámka:

Po vypnutí ohřivače může ventilátor ohřivače nějakou dobu pracovat, aby ochladil vnitřní části zařízení.

Funkce časovače (5)

Zařízení je vybaveno časovačem samočinného vypnutí s časovým intervalem od 30 minut do 9 hodin. Postupným stisknutím tlačítka časovače zvolte časový interval od 30 minut do 9 hodin: 30 – 1H – 2H – 3H – 4H – 5H – 6H – 7H – 8H – 9H. Po aktivaci časovače se na digitálním displeji zobrazí:

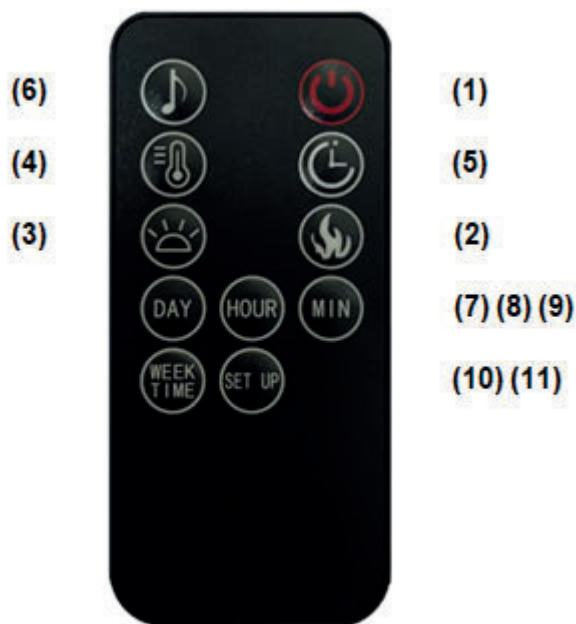


Dálkové ovládání

Tlačítka dálkového ovládání fungují stejně jako tlačítka na předním panelu přístroje. Další informace o funkcích těchto tlačítek naleznete v části Ovládání zařízení.

Prvky dálkového ovládání:

- hlavní tlačítko napájení (1),
- tlačítko barvy hlavního plamene (2),
- tlačítko barvy plamene palivového dřeva (3),
- tlačítko ohřivače (4),
- tlačítko časovače (5),
- tlačítko zvuku hoření dřeva (6),
- tlačítka hodin a týdenního časovače (7, 8, 9, 10, 11).



Funkce zvuku při hoření dřeva (6)

Stisknutím tlačítka (6) na dálkovém ovladači zapnete/vypnete zvuk hoření dřeva. Digitální displej zobrazuje "51", když je zapnutý zvuk hoření dřeva, a "50", když je zvuk hoření dřeva vypnutý.

Funkce hodin (7, 8, 9)

Stisknutím tlačítka (7) na dálkovém ovladači nastavte aktuální den v týdnu a pomocí tlačítek (8) pro hodiny a (9) pro minuty nastavte aktuální čas.

Aktuální den v týdnu a čas se zobrazí na digitálním displeji vždy, když je aktivována.

Po odpojení přístroje od sítě se nastavení hodin vynuluje.

Funkce týdenního časovače (8, 9, 10, 11)

Funkce týdenního časovače umožňuje nastavit automatické zapnutí/vypnutí ohřívače na jeden přednastavený časový interval denně v týdenním cyklu (MON – TUE – WED – THU – FRI – SAT – SUN) v rámci nastavení ohřevu, které bylo naposledy nastaveno ručně.

Stisknutím tlačítka (10) na dálkovém ovladači aktivujte funkci týdenního časovače.

Pomocí tlačítek (8) pro hodiny a (9) pro minuty nastavte čas zapnutí ohřevu v pondělí.

Stisknutím tlačítka (11) přejděte k nastavení času pro vypnutí ohřívače v pondělí.

Pomocí tlačítek (8) pro hodiny a (9) pro minuty nastavte čas pro vypnutí ohřívače v pondělí.

Stisknutím tlačítka (10) pokračujte v nastavování času zapnutí/vypnutí ohřívače na další den.

Stejným postupem nastavte časové intervaly pro další dny.

Pokud přestanete stisknout tlačítka funkce týdenního časovače na déle než 3 sekundy, ukončíte funkci týdenního časovače a potvrdíte předchozí nastavení.

Chcete-li zkontrolovat nastavení týdenního časovače, postupným stisknutím tlačítka (10) zobrazte čas zapnutí pro každý den; tlačítkem (11) zobrazte čas vypnutí; chcete-li změnit nastavení týdenního časovače, použijte tlačítka (8) pro hodiny a (9) pro minuty.

Chcete-li vypnout týdenní časovač pro určitý den v týdnu, nastavte pro čas zapnutí a vypnutí ohřívače 00:00.

Chcete-li týdenní časovač deaktivovat ručně, odpojte přístroj ze zásuvky a znovu jej zapněte.

Chcete-li zlepšit ovládání dálkového ovladače, nasměrujte jej na přední část zařízení. Nevystavujte infračervený vysílač na ovládacím panelu přímému slunečnímu záření.

Nemačkejte tlačítka dálkového ovladače příliš silně nebo příliš často. Než přístroj provede příkaz, chvíli počkejte.

S dálkovým ovladačem zacházejte opatrně. Neupustěte jej, nestoupejte na něj a dbejte na to, aby se dálkový ovladač nenamočil.

Baterie se dodává s dálkovým ovladačem. Kód baterie je CR2025 3V.

Nejdříve je třeba z dálkového ovládání odstranit plastovou fólii izolující baterii.

Při vkládání baterie dbejte na to, aby její polarita odpovídala označení uvnitř prostoru pro baterie dálkového ovladače.

Pokud nebudete dálkový ovladač delší dobu používat, vyjměte z něj baterii.

Vyměňte včas baterii v dálkovém ovladači.

Snažte se nepoužívat dobíjecí baterie.

PÉČE A ÚDRŽBA



POZOR! Před čištěním zařízení vždy odpojte od napájení. Nejprve vypněte hlavní napájení. Poté vytáhněte elektrickou zástrčku ze zásuvky.



POZOR! Zařízení nepoužívejte, pokud se některá jeho část ocitla pod vodou. Okamžitě zavolejte kvalifikovaného technika, aby přístroj zkontroloval.



POZOR! Před čištěním přístroje se ujistěte, že zcela vychladl.

Motor ventilátoru ohříváče a motor plamene jsou předem namazány pro dlouhou dobu používání a nepotřebují žádné další mazání ani údržbu.

K odstranění nahromaděného prachu, chmýří a hmyzu je třeba občas vyčistit výstupní mřížku ohříváče ventilátoru pomocí měkkého kartáčového nástavce vysavače.

Při utírání prachu používejte měkký, čistý hadřík, který nepoškrábe povrch.

K čištění povrchu zařízení použijte čistý měkký hadřík navlhčený teplou vodou. Nepoužívejte čisticí prostředky pro domácnost nebo abrazivní prostředky, protože by mohly poškodit povrch.

K čištění skleněného panelu přístroje použijte neabrazivní, vlhký hadřík (ne mokrý) a v případě potřeby tekutý čisticí prostředek nebo tekuté mýdlo. Nepoužívejte drátěnky ani jiné přípravky s abrazivními látkami, protože by poškrábaly skleněný panel zařízení.

Zařízení by v žádném případě nemělo být provozováno s rozbitou nebo naštípnutou skleněnou deskou.

Do skleněného panelu zařízení nenarážejte ani jej nepouštějte.

Před připojením zařízení k napájení se ujistěte, že je zcela suché.

Pokud zařízení nepoužíváte, odpojte napájecí kabel ze zásuvky, abyste zabránili poškození zařízení nebo náhodnému odpojení napájecího kabelu.

LIKVIDACE



Obalové materiály zařízení jsou recyklovatelné a opakovaně použitelné. Obalové materiály nevyhazujte do domovního odpadu, ale odevzdejte je na příslušném sběrném místě k recyklaci.



Zařízení se po uplynutí životnosti zlikviduje. Zařízení obsahuje cenné materiály, které lze recyklovat. Zařízení nelikvidujte společně s domovním odpadem, odevzdejte jej na příslušném sběrném místě starých elektrozařízení.

Použité baterie z dálkového ovládání nelikvidujte společně s domovním odpadem, ale odevzdejte je na příslušném sběrném místě použitých baterií.

ŘEŠENÍ PROBLÉMŮ

Problém	Řešení
Zařízení se nezapne.	Zkontrolujte, zda je zařízení připojeno k napájení. Stiskněte hlavní tlačítko napájení na ovládacím panelu.
Hlavní vypínač se rozsvítí, ale nedojde k žádnému efektu plamene e.	Otevřete zadní panel a zkontrolujte, zda plamenné vřeteno nevytáhlo z vřetenového motoru.
Při vytápění není přiváděn teplý vzduch.	Ujistěte se, že je nastavená teplota ohřívače vyšší než teplota v místnosti. Několikrát zapněte/vypněte tlačítko ohřívače, abyste se ujistili, že je ohřívač zapnutý.
Topení nefunguje.	Vypněte všechny provozní režimy a odpojte zařízení na 5 minut ze zásuvky. Po 5 minutách připojte zařízení zpět do zásuvky a používejte jej jako obvykle.
Na displeji ovládacího panelu se zobrazí chyba "E1".	Vypněte všechny provozní režimy a odpojte zařízení na 5 minut ze zásuvky. Po 5 minutách připojte zařízení zpět do zásuvky a používejte jej jako obvykle.
Dálkové ovládání nefunguje.	Odstraňte plastovou fólii izolující baterii. / Přiblížte dálkový ovladač k zařízení. / Vyměňte baterii v dálkovém ovladači.

PROHLÁŠENÍ O SHODĚ



Toto zařízení splňuje následující evropské směrnice: 2014/35/EU (LVD), 2014/30/EU (EMC), 2009/125/ES (ERP), 2011/65/EU (RoHS).

INFORMAČNÍ LIST VÝROBKU

Identifikátor(y) modelu: AF24 MULTICOLOR, AF38 MULTICOLOR, AF58 MULTICOLOR					
Položka	Symbol	Hodnota	Jednotka	Položka	Jednotka
Tepelný výkon				Typ tepelného příkonu, pouze pro elektrické zásobníkové lokální ohřivače	
Jmenovitý tepelný výkon	P_{nom}	1,8	kW	ruční regulace tepelné náplně s integrovaným termostatem	N/A
Minimální tepelný výkon (orientační)	P_{min}	0,9	kW	ruční regulace tepelné náplně se zpětnou vazbou na teplotu v místnosti a/nebo venkovní teplotu	N/A
Maximální trvalý tepelný výkon	$P_{max,c}$	1,8	kW	elektronická regulace tepelné náplně se zpětnou vazbou na pokojovou a/nebo venkovní teplotu	N/A
Pomocná spotřeba elektrické energie				tepelný výkon s asistencí ventilátoru	N/A
Při jmenovitém tepelném výkonu	eI_{max}	N/A	kW	Typ tepelného výkonu/řízení teploty v místnosti	
Při minimálním tepelném výkonu	eI_{min}	N/A	kW	jednostupňový tepelný výkon a žádná regulace teploty v místnosti	[ne]
V pohotovostním režimu	eI_{SB}	0,7	W	dva nebo více manuálních stupňů, bez regulace teploty v místnosti	[ne]
				s mechanickým termostatem pro regulaci teploty v místnosti	[ne]
				s elektronickou regulací pokojové teploty	[ne]
				elektronická regulace pokojové teploty a denní časovač	[ne]
				s elektronickou regulací pokojové teploty a týdenním časovačem	[ano]
Další možnosti ovládání					
				regulace pokojové teploty s detekcí přítomnosti	[ne]
				regulace pokojové teploty s detekcí otevřeného okna	[ano]
				s možností kontroly vzdálenosti	[ne]
				s adaptivním řízením startu	[ne]
				s omezením pracovní doby	[ne]
				se senzorem černé žárovky	[ne]
Kontaktní údaje	ARTIFLAME Sp. z o.o., Grabie 37, 32-002 Węgrzce Wielkie, Polsko				

ZÁRUČNÍ POVINNOSTI

POZOR! Při koupi nebo převzetí výrobku zkontrolujte, zda je dodán v sadě, zda je provozuschopný a zda není poškozen a zda je k dispozici návod k použití.

Podmínky záručního servisu

Záruční doba na výrobek je 2 roky od prodeje nebo převzetí, pokud existuje obchodní nebo pokladní/fiskální nebo přepravní doklad potvrzující datum prodeje nebo převzetí výrobku. Zákazník má nárok na záruční opravu výrobku v záruční době, pokud výrobek selhal z důvodu materiálové nebo výrobní vady. Výše uvedená záruční doba se vztahuje pouze na výrobky používané pro osobní, rodinné nebo domácí účely, které nesouvisejí s podnikatelskou činností.

Kupující ztrácí nárok na záruční opravu v případech:

- Porušení pokynů pro instalaci a používání uvedených v návodu k použití.
- Použití výrobku v rozporu s jeho určením.
- Špatné připojení výrobku k napájení.
- Pokud jsou poruchy výrobku způsobeny nesprávným skladováním nebo mechanickým poškozením během přepravy nebo používání.
- Pokud je výrobek silně znečištěn zvenku i zevnitř nebo je zrezivělý.
- Pokud výrobek vykazuje známky neoprávněného otevření/opravy nebo byl podroben konstrukčním změnám či úpravám.
- Pokud používání výrobku pokračovalo i po výskytu poruchy a nebylo zastaveno.
- Pokud jsou uvnitř výrobku cizí předměty, kapaliny, látky nebo hmyz.
- Pokud byl štítek z výrobku odstraněn.
- Běžné opotřebení součástí výrobku v důsledku nadměrného používání. Rovnoměrné opotřebení dílů při absenci tovární vady nezakládá nárok na jejich záruční výměnu.
- Škody způsobené přírodními katastrofami (požár, povodeň atd.) nebo domácími faktory (přetížení, pokles napětí, výpadek proudu atd.).

Záruka se nevztahuje na svítidla.

V případě jakýchkoli dotazů týkajících se záručního servisu v EU se obraťte na autorizované servisní středisko:
+48 12 333 60 74, sklep@artiflame.pl.

Vyplňte prosím níže uvedený formulář hůlkovým písmem a zašlete nám jej spolu s poškozeným výrobkem:

Jméno, příjmení:

Adresa:

Poštovní směrovací číslo, Místo
bydliště:

Datum, Podpis:

Model:

Důvod nároku:

SLOVENČINA

Poznámka:

Tento výrobok je vhodný len do dobre izolovaných priestorov alebo na príležitostné použitie.

OBSAH

Všeobecné informácie
Dodávacia súprava
Špecifikácia
Bezpečnostné informácie
Inštalácia
Ovládanie zariadenia
Starostlivosť a údržba
Likvidácia
Riešenie problémov
Vyhlásenie o zhode
Informačný list výrobku
Záručné záväzky

VŠEOBECNÉ INFORMÁCIE

Vážený zákazník,

Ďakujeme, že ste si vybrali elektrický krb ArtiFlame – domáce elektrické zariadenie určené na vykurovanie miestnosti s funkciou imitácie plameňa.

Dodržiavanie noriem kvality, funkčnosť a dizajn tohto zariadenia vám zaručia jeho spoľahlivé a pohodlné používanie.

Pri správnej inštalácii a používaní budete zariadenie využívať dlhé roky.

Zariadenie je možné namontovať do krbového portálu, skrinkového nábytku, nástenného výklenku, sadrokartónovej jednotky alebo iného špeciálne pripraveného rámu.

Pred prvou inštaláciou a použitím tohto zariadenia si pozorne prečítajte návod na použitie.

Tento návod na použitie uchovávajte na prístupnom mieste počas celej životnosti zariadenia alebo pre ďalšieho majiteľa.

Poznámky:

V tejto príručke môže mať vstavaná elektrická krbová vložka s ohrevom tieto názvy: zariadenie, vybavenie, položka, výrobok, ohrievač, elektrický krb, krb atď.

Výrobca si vyhradzuje právo na zmenu vzhľadu, konštrukcie, dodacej súpravy a špecifikácie zariadenia bez predchádzajúceho upozornenia.

V texte, digitálnych označeniach a obrázkoch sa môžu vyskytnúť technické a typografické chyby.

DODÁVACIA SÚPRAVA

Vstavaná elektrická krbová vložka s ohrevom – 1 ks.

Diaľkové ovládanie – 1 ks.

Používateľská príručka vrátane časti o záručných povinnostiach – 1 ks.

AF24 MULTICOLOR / AF38 MULTICOLOR

AF58 MULTICOLOR

Montážne držiaky – 4 ks.

Skrutky – 4 ks.

Skrutky – 16 ks.

ŠPECIFIKÁCIA

Vykurovacia plocha: do 30 m²

Menovité napätie: 220-240 V

Menovitá frekvencia: 50 Hz

Menovitý výkon: 900 / 1800 W

Ochrana pred úrazom elektrickým prúdom: trieda I

Dátum výroby: pozri na štítku zariadenia

Životnosť: neobmedzená

AF24 MULTICOLOR

Uhlopriečka ohniska: 24 palcov

Čistá hmotnosť: 11 kg

Rozmery výrobku (šírka x výška x hĺbka), mm: 612 x 500 x 190

Rozmery otvoru (šírka x výška), mm: 585 x 480

AF38 MULTICOLOR

Uhlopriečka ohniska: 38 palcov

Čistá hmotnosť: 15,5 kg

Rozmery výrobku (šírka x výška x hĺbka), mm: 993 x 414 x 190

Rozmery otvoru (šírka x výška), mm: 966 x 395

AF58 MULTICOLOR

Uhlopriečka ohniska: 58 palcov

Čistá hmotnosť: 24,8 kg

Rozmery výrobku (šírka x výška x hĺbka), mm: 1482 x 425 x 190

Rozmery otvoru (šírka x výška), mm: 1440 x 414

Pozor! Pri používaní zariadenia v miestnosti s nízkou hladinou hluku na pozadí môžete počuť zvuk mechanizmu, ktorý zabezpečuje fungovanie plameňa. Je to normálne a nemalo by to vyvolávať obavy.

BEZPEČNOSTNÉ INFORMÁCIE

Používateľ je plne zodpovedný za kvalifikovanú inštaláciu zariadenia a za jeho bezpečnosť počas prevádzky.



POZOR! Dôležité informácie a užitočné rady pre používanie zariadenia.

Dodržiavajte štandardné bezpečnostné upozornenia vrátane pokynov a upozornení uvedených v tejto príručke, aby ste zariadenie používali bezpečne a vyhli sa možnému riziku požiaru, úrazu elektrickým prúdom alebo zranenia osôb.

Zariadenie inštalujte a používajte v súlade s miestnymi elektrickými predpismi a inými stavebnými predpismi.

Pred inštaláciou a používaním zariadenia sa uistite, že napájacie napätie uvedené na ňom zodpovedá napätiu dostupného elektrického obvodu.

Po inštalácii zariadenia zabezpečte voľný prístup k jeho zástrčke.

Súčasné používanie ohrievača s inými výkonnými elektrickými zariadeniami v tom istom elektrickom obvode môže aktivovať poisťku v zariadení alebo v pripojenom elektrickom obvode.

Zariadenie používajte v dobre vetraných priestoroch.

Po prvom použití ohrievača sa môže objaviť slabý, neškodný zápach. Je to spôsobené prvým spustením vnútorných častí ohrievača a nemalo by to vyvolávať obavy; tento zápach rýchlo pominie.

Zariadenie je vybavené funkciou tepelnej ochrany. V prípade prehriatia sa zariadenie samo vypne, aby sa zabránilo poškodeniu alebo riziku požiaru. Po vychladnutí zariadenia ho možno opäť zapnúť.

Zariadenie je určené len na bežné domáce použitie; nesmie sa používať na priemyselné účely.

Nekvalifikovaná inštalácia zariadenia môže spôsobiť značné riziká. Ak zariadenie nedokážete sami pripojiť k elektrickej sieti alebo ak máte pochybnosti o servisnej spôsobilosti zariadenia, zavolajte kvalifikovaného elektrikára.

Zariadenie neobsahuje žiadne časti, ktoré by si vyžadovali údržbu zo strany používateľa.

Nevystavujte rastliny a zvieratá priamemu prúdu horúceho vzduchu zo zariadenia.



UPOZORNENIA, ktoré je potrebné dodržiavať, aby nedošlo k poškodeniu zariadenia.

Zariadenie nepoužívajte vonku.

Zariadenie nezapínajte hneď po preprave alebo uskladnení v chlade. Pred zapnutím ho udržiavajte pri izbovej teplote aspoň 3 hodiny, aby ste zabránili poškodeniu v dôsledku kondenzácie vodnej pary na vnútorných častiach zariadenia.

Ak je k dispozícii, pri premiestňovaní zariadenia používajte rukoväť.

Nezapínajte zariadenie v obale.

Toto zariadenie nie je určené na používanie v kúpeľniach, práčovniach a podobných vnútorných priestoroch. Zariadenie nikdy neumiestňujte na miesta, kde by mohlo spadnúť do vane alebo inej nádoby s vodou.

Zariadenie neinštalujte ani nepoužívajte priamo pod elektrickou zásuvkou.

Napájací kábel nevedzte pod kobercom. Napájací kábel nezakrývajte kobercami, behúňmi a podobne. Napájací kábel umiestnite mimo dopravných plôch a na miesta, kde oň nikto nezakopne.

Zariadenie vždy pripájajte priamo do elektrickej zásuvky bez použitia predlžovacieho kábla alebo adaptéra.

Zariadenie pripájajte len do riadne uzemnených zásuviek.

Zariadenie nepoužívajte so skrúteným napájacím káblom.

Pri používaní zariadenia dbajte na to, aby sa napájací kábel nedotýkal vyhrievaných povrchov.

Keď zariadenie nepoužívate, vždy ho odpojte zo zásuvky.

Ak chcete zariadenie odpojiť, vypnite ovládacie prvky a potom vytiahnite zástrčku zo zásuvky.

Zariadenie nepoužívajte ako sušičku bielizne.

Zariadenie neumiestňujte do blízkosti vykurovacích zariadení.

Nepoužívajte zariadenie s automatickým časovačom ani žiadne iné technické zariadenie, ktoré automaticky zapína/vypína zariadenie alebo elektrický obvod, ku ktorému je pripojené.



UPOZORNENIA, ktoré sa musia prísne dodržiavať, aby sa predišlo zraneniu osôb.

Zariadenie používajte len tak, ako je popísané v tejto príručke. Akékoľvek iné použitie, ktoré nie je odporúčané výrobcom, môže spôsobiť požiar, úraz elektrickým prúdom alebo zranenie osôb, ako aj zánik záruky.

Deti, osoby so zníženými fyzickými, zmyslovými alebo duševnými schopnosťami, ako aj osoby bez primeraných znalostí a skúseností nesmú používať zariadenie, pokiaľ nie sú pod dohľadom osoby zodpovednej za ich bezpečnosť alebo neboli riadne poučené o tom, ako zariadenie používať.

Nenechávajte deti bez dozoru v blízkosti ovládacieho zariadenia.

Nedovoľte deťom hrať sa so zariadením a obalovým materiálom.

Buďte obzvlášť opatrní pri používaní zariadenia v prítomnosti detí a osôb so zdravotným postihnutím a vždy, keď je zariadenie ponechané v prevádzke a bez dozoru.

Zariadenie nepoužívajte v nezabezpečenej polohe. Zariadenie musí byť vždy bezpečne upevnené v krbovom portáli, nábytkovej skrini, nástennom výklenku, sadrokartónovej jednotke alebo inom špeciálne pripravenom ráme.

Nedovoľte, aby sa na zariadenie dostala voda.

Nezapínajte zariadenie, ak sa na niektorú jeho časť dostane voda.

Ak zariadenie spadlo do vody, okamžite vytiahnite zástrčku zo zásuvky bez toho, aby ste sa dotkli zariadenia alebo vody.

Nedotýkajte sa zariadenia počas prevádzky mokrymi rukami.

Zariadenie sa počas prevádzky zahrieva. Aby ste sa vyhli popáleninám, nedotýkajte sa jeho horúcich povrchov.

Nikdy nezakrývajte zariadenie, keď je v prevádzke.

Aby ste zabránili prehriatiu, vznieteniu alebo možnému požiaru, nijakým spôsobom neblokuje prívody vzduchu a výfuk, ktoré slúžia na vetranie zariadenia a odvádzanie horúceho vzduchu z ohrievača.

Zariadenie neumiestňujte na mäkké povrchy (postele, pohovky, koberce atď.) s obmedzenou cirkuláciou vzduchu.

Do ventilačných alebo výfukových otvorov nekladajte ani nedovoľte, aby sa do nich dostali cudzie predmety.

Udržujte horľavé materiály, ako je nábytok, vankúše, posteľná bielizeň, papiere, oblečenie a záclony, vo vzdialenosti najmenej 1 meter od prednej časti ohrievača. Takéto predmety neumiestňujte za jednotku a na žiadnu z jej strán.

Zariadenie má vo vnútri horúce a iskriace časti. Zariadenie nepoužívajte na miestach, kde sa používa alebo skladuje benzín, farby alebo horľavé kvapaliny.

Pred premiestnením zariadenia ho vypnite a nechajte vychladnúť.

Pri vyťahovaní zástrčky zo zásuvky neťahajte za kábel, ale za samotnú zástrčku.

Nerozoberajte ani neupravujte konštrukciu zariadenia.

Zariadenie nepoužívajte s poškodeným káblom alebo zástrčkou alebo po poruche zariadenia, alebo po páde či akomkoľvek poškodení.

Ak zo zariadenia vychádza dym, iskry alebo silný zápach spálenej izolácie, okamžite ho prestaňte používať a vytiahnite zástrčku zo zásuvky.

Ak je zariadenie pokazené alebo poškodené, nepokúšajte sa ho opraviť. Obráťte sa na servisné zariadenie, ktoré vykoná prehliadku, elektrické alebo mechanické nastavenie alebo opravu.

INŠTALÁCIA



VAROVANIE! Dávajte pozor na ostré hrany a rohy zariadenia.



VAROVANIE! Zariadenie inštalujte s dvoma osobami, aby ste predišli zraneniam a poškodeniu.

Zariadenie by sa malo používať v rámovej konštrukcii vhodnej veľkosti (krbový portál, skriňová zostava, stenový výklenok, sadrokartónová jednotka atď.).

Na zabezpečenie správneho vetrania vytvorte nad zariadením a za ním voľný priestor aspoň 50 mm tak, aby medzi zariadením a rámovými časťami bola vzduchová vrstva.

Neodporúča sa inštalovať zariadenie v blízkosti silných zdrojov svetla, aby sa nezhoršila kvalita efektov režimu plameňa.

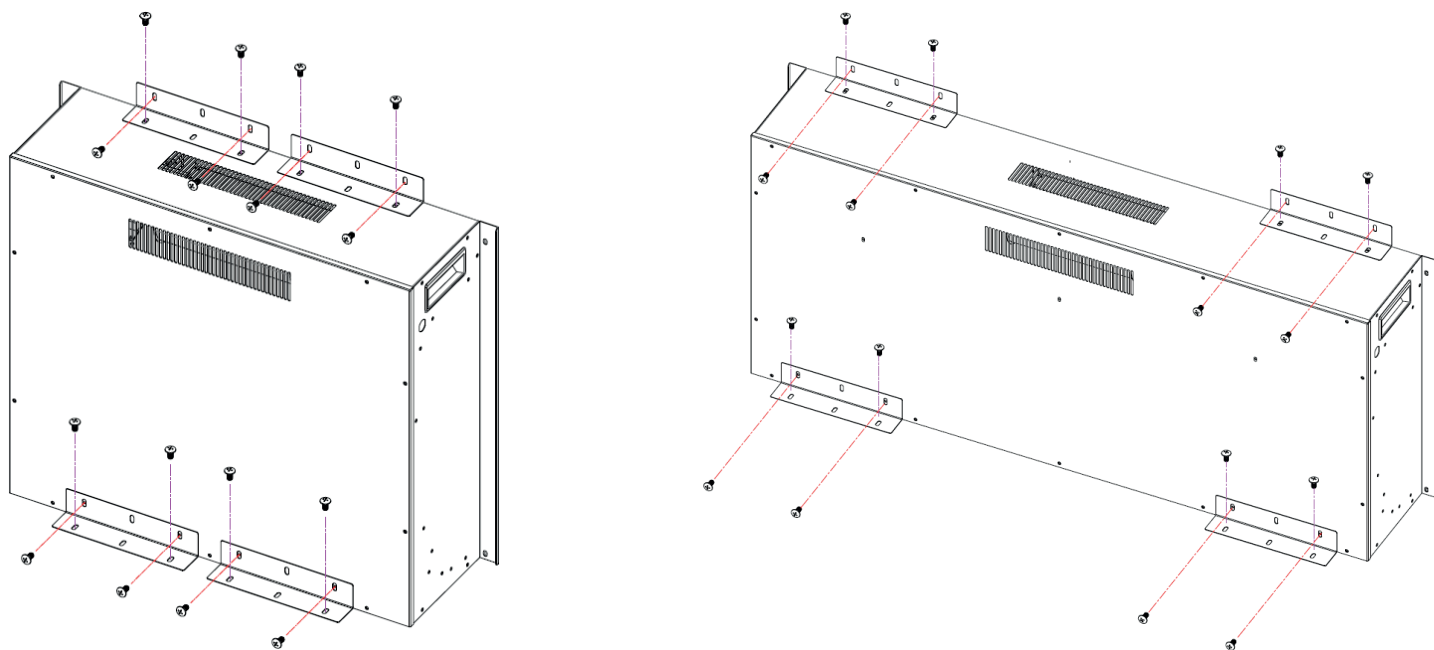
Opatrne vyberte zariadenie z obalu. V prípade potreby si obal uschovajte pre budúce použitie na bezpečnú prepravu zariadenia.

Pred konečnou inštaláciou zariadenia vykonajte skúšobné zapnutie pomocou vhodnej elektrickej zásuvky.

Zariadenie sa inštaluje do rámu zvnútra. Zariadenie opatrne zasuňte do zadnej časti rámu a vycentrujte ho v otvore. Zariadenie sa nepokúšajte inštalovať z prednej strany rámu – nezmesť sa.

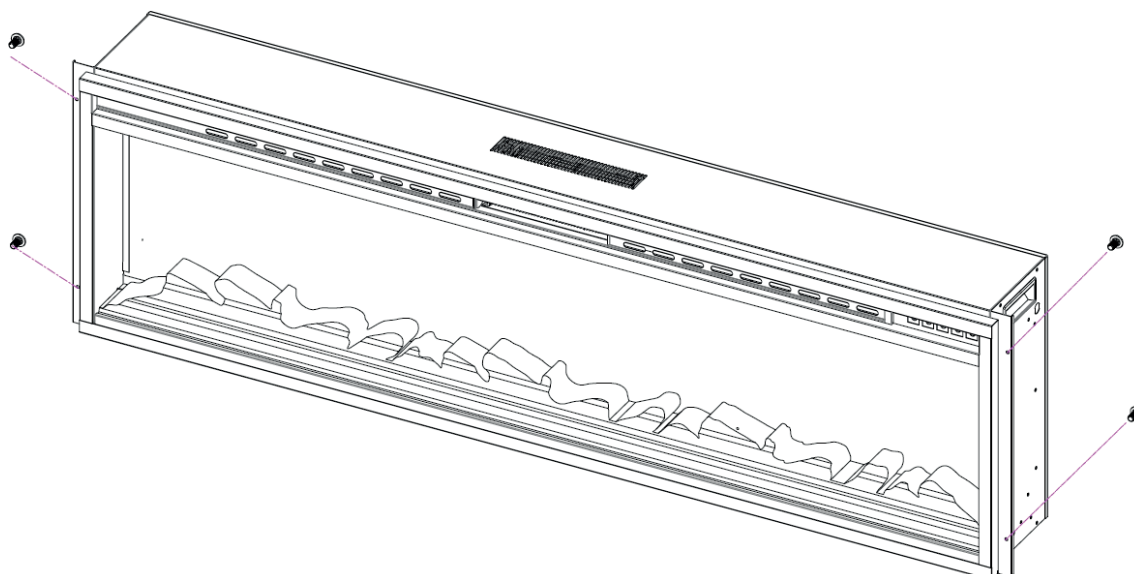
AF24 MULTICOLOR / AF38 MULTICOLOR

Skontrolujte zarovnanie a pripevnite zariadenie k rámovej konštrukcii pomocou montážnych držiakov a skrutiek, ktoré zasuňte cez vyvítané otvory na montážnych držiakoch a zariadení.



AF58 MULTICOLOR

Skontrolujte zarovnanie a pripevnite zariadenie k rámovej konštrukcii pomocou skrutiek, ktoré zasuňte cez vyvítané otvory na montážnych lištách.



Na zaistenie bezpečnosti musí byť zariadenie bezpečne namontované a upevnené v ráme tak, aby sa počas používania nemohlo pohybovať.

OVLÁDANIE ZARIADENIA

Na ovládanie zariadenia možno použiť jeho ovládací panel aj diaľkové ovládanie.

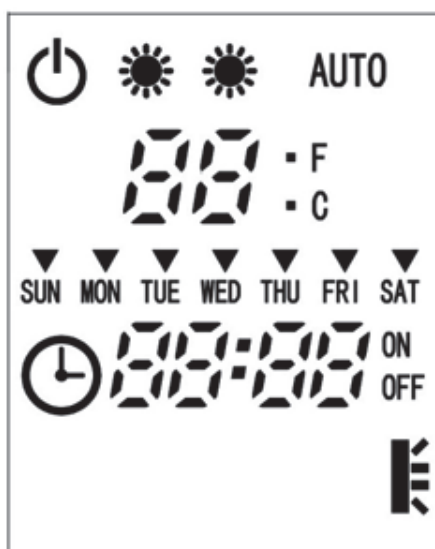
Zariadenie má režimy ohrevu a plameňa.

Poznámka:

Prístroj nie je určený na používanie len ako ohrievač bez plameňa.

Digitálny displej a indikátor funkcií

Digitálny displej a indikátor funkcií zobrazuje informácie o zvolených nastaveniach.



Ovládací panel

Ovládací panel sa nachádza v pravom hornom rohu predného panela zariadenia. Prvky ovládacieho panela:

- hlavné tlačidlo napájania (1),
- tlačidlo farby hlavného plameňa (2),
- tlačidlo farby plameňa palivového dreva (3),
- tlačidlo ohrievača (4),
- tlačidlo časovača (5).



Hlavné tlačidlo napájania (1)

Stlačením hlavného tlačidla napájania zapnete a vypnete zariadenie. Stlačením hlavného tlačidla napájania raz zapnete zariadenie. Opätovným stlačením hlavného tlačidla napájania zariadenie vypnete.

Ovládanie farby hlavného plameňa (2)



Stlačením tlačidla (2) nastavíte farbu hlavného plameňa: F1 (oranžová a modrá zmes) – F2 (oranžová) – F3 (modrá) – F4 (cyklus / plynulá automatická zmena farby hlavného plameňa).

Ovládanie farby plameňa palivového dreva (3)

Stlačením tlačidla (3) nastavíte farbu plameňa palivového dreva: L1 (oranžová) – L2 (modrá) – L3 (ružová) – L4 (cyklus so žltou dodatočne / plynulá automatická zmena farby plameňa palivového dreva).

Ovládanie ohrievača (4)

Ohrievač sa zapína a vypína pomocou tlačidla ohrievača.

Stlačenie tlačidla ohrievača	Stav ohrievača	Hodnota na digitálnom displeji
Prvé stlačenie	Ohrievač vypnutý	00
Druhé stlačenie	Trvalý ohrev s nízkym výkonom – 900 W	Lo 
Tretie stlačenie	Trvalý ohrev s vysokým výkonom – 1800 W	Hi 
Štvrté stlačenie	Ohrievač vypnutý	00

Ak chcete vstúpiť do režimu nastavenia teploty alebo ho ukončiť, stlačte a podržte tlačidlo ohrievača na 3 sekundy, keď je ohrievač zapnutý. Pomocou tlačidla ohrievača nastavte požadovanú teplotu v miestnosti od 17 °C do 27 °C v stupňoch Celzia (od 62 °F do 82 °F vo Fahrenheitoch) alebo "oN" pre nepretržité vykurovanie. Úroveň výkonu (nízka/vysoká) závisí od režimu výkonu vykurovania, ktorý bol zvolený pri zapnutí ohrievača. Keď ohrievač pracuje pri zvolenej teplote ohrevu, na digitálnom displeji sa zobrazí "AUTO". Ohrievač sa automaticky vypne, keď teplota v miestnosti dosiahne nastavenú hodnotu, a automaticky sa zapne, keď teplota v miestnosti klesne pod nastavenú hodnotu. Uistite sa, že nastavená teplota ohrievača je vyššia ako teplota miestnosti; inak sa ohrievač nemôže zapnúť alebo môže fungovať nesprávne.

Ak chcete zmeniť teplotnú stupnicu medzi stupňami Celzia (C) a Fahrenheita (F), stlačte a podržte tlačidlo farby hlavného plameňa (2) na 3 sekundy, keď je ohrievač zapnutý.

Zariadenie má funkciu detekcie otvoreného okna. Ak vnútorná teplota klesne o 3 stupne pod nastavenú hodnotu v priebehu 5 minút, zariadenie prestane dodávať teplo, bzučiak zazvoní 5-krát a na digitálnom displeji sa zobrazí:



Poznámka:

Po vypnutí ohrievača môže ventilátor ohrievača nejaký čas pracovať, aby ochladil vnútorné časti zariadenia.

Funkcia časovača (5)

Zariadenie je vybavené časovačom samočinného vypnutia s časovým intervalom od 30 minút do 9 hodín. Postupným stláčaním tlačidla časovača vyberte časový interval od 30 minút do 9 hodín: 30 – 1H – 2H – 3H – 4H – 5H – 6H – 7H – 8H – 9H. Po aktivácii časovača sa na digitálnom displeji zobrazí:



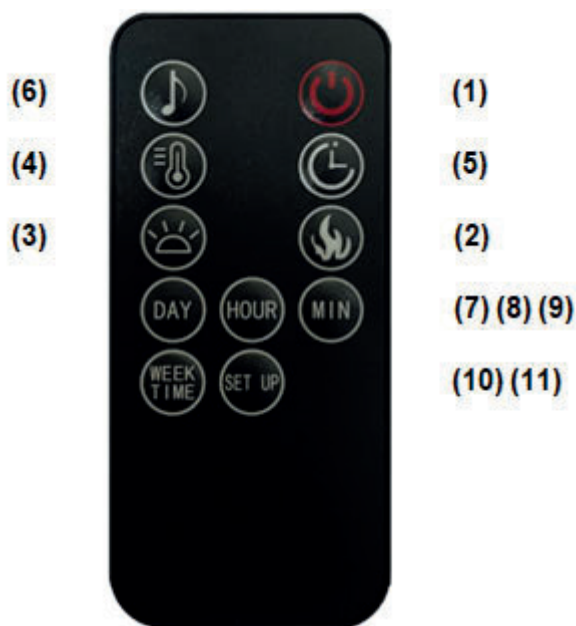
Diaľkové ovládanie

Ovládanie tlačidiel diaľkového ovládania funguje rovnako ako tlačidlá na prednom paneli zariadenia. Viac informácií o funkčnosti týchto tlačidiel nájdete v časti Ovládanie zariadenia.

Prvky diaľkového ovládania:

- hlavné tlačidlo napájania (1),
- tlačidlo farby hlavného plameňa (2),
- tlačidlo farby plameňa palivového dreva (3),
- tlačidlo ohrievača (4),

- tlačidlo časovača (5),
- tlačidlo zvuku horiaceho dreva (6),
- tlačidlá hodín a týždenného časovača (7, 8, 9, 10, 11).



Funkcia zvuku horiaceho dreva (6)

Stlačením tlačidla (6) na diaľkovom ovládači zapnete/vypnete zvuk horiaceho dreva. Digitálny displej zobrazuje "51", keď je zapnutý zvuk horiaceho dreva a "50", keď je zvuk horiaceho dreva vypnutý.

Funkcia hodín (7, 8, 9)

Stlačením tlačidla (7) na diaľkovom ovládači nastavte aktuálny deň v týždni a pomocou tlačidiel (8) pre hodiny a (9) pre minúty nastavte aktuálny čas.

Aktuálny deň v týždni a čas sa zobrazia na digitálnom displeji vždy, keď je aktivovaná.

Po odpojení zariadenia od elektrickej siete sa nastavenia hodín vynulujú.

Funkcia týždenného časovača (8, 9, 10, 11)

Funkcia týždenného časovača umožňuje nastaviť automatické zapínanie/vypínanie ohrievača na jeden prednastavený časový interval denne v týždennom cykle (MON – TUE – WED – THU – FRI – SAT – SUN) v rámci nastavení ohrevu, ktoré boli naposledy nastavené manuálne.

Stlačením tlačidla (10) na diaľkovom ovládači aktivujte funkciu týždenného časovača. Pomocou tlačidiel (8) pre hodiny a (9) pre minúty nastavte čas zapnutia vykurovania v pondelok. Stlačením tlačidla (11) prejdite na nastavenie času vypnutia ohrievača v pondelok. Pomocou tlačidiel (8) pre hodiny a (9) pre minúty nastavte čas vypnutia ohrievača v pondelok. Stlačením tlačidla (10) pokračujte v nastavovaní času zapnutia/vypnutia ohrievača na ďalší deň.

Rovnaký postup použite na nastavenie časových intervalov pre ostatné dni.

Ak prestanete stláčať tlačidlá funkcie týždenného časovača na viac ako 3 sekundy, ukončíte funkciu týždenného časovača a potvrdíte predchádzajúce nastavenie.

Ak chcete skontrolovať nastavenia týždenného časovača, postupným stláčaním tlačidla (10) zobrazte čas zapnutia pre každý deň; pomocou tlačidla (11) zobrazte čas vypnutia; ak chcete zmeniť nastavenia týždenného časovača, použite tlačidlá (8) pre hodiny a (9) pre minúty.

Ak chcete vypnúť týždenný časovač pre konkrétny deň v týždni, nastavte 00:00 pre čas zapnutia a vypnutia ohrievača.

Ak chcete týždenný časovač deaktivovať manuálne, odpojte zariadenie od elektrickej zásuvky a znova ho zapnite.

Ak chcete zlepšiť ovládanie diaľkového ovládača, nasmerujte ho na prednú časť zariadenia. Infračervený vysielateľ na ovládacom paneli nevystavujte priamemu slnečnému žiareniu.

Nestláčajte tlačidlá diaľkového ovládača príliš silno alebo príliš často. Predtým, ako zariadenie vykoná príkaz, chvíľu počkajte.

S diaľkovým ovládačom zaobchádzajte opatrne. Nepúšťajte ho, nešliapte naň a dbajte na to, aby sa diaľkový ovládač nenamočil.

Batéria sa dodáva spolu s diaľkovým ovládaním. Kód batérie je CR2025 3V.

Pri diaľkovom ovládaní je potrebné najprv odstrániť plastovú fóliu izolujúcu batériu.

Pri vkladaní batérie skontrolujte, či sa jej polarita zhoduje s označením v priehradke na batérie diaľkového ovládača.

Ak diaľkový ovládač nebudete dlhší čas používať, vyberte z neho batériu.

Vymeňte včas batériu v diaľkovom ovládači.

Snažte sa nepoužívať nabíjateľné batérie.

STAROSTLIVOSŤ A ÚDRŽBA



VAROVANIE! Pred čistením zariadenia ho vždy odpojte od napájania. Najprv vypnite hlavné napájanie. Potom vytiahnite elektrickú zástrčku zo zásuvky.



VAROVANIE! Zariadenie nepoužívajte, ak bola akákoľvek jeho časť pod vodou. Okamžite zavolajte kvalifikovaného technika, aby zariadenie skontroloval.



VAROVANIE! Pred čistením zariadenia sa uistite, že úplne vychladlo.

Motor ventilátora ohrievača a motor plameňa sú vopred namazané pre dlhú životnosť a nepotrebujú ďalšie mazanie ani údržbu.

Na odstránenie nahromadeného prachu, chmýří a hmyzu by sa mala občas použiť mäkká kefa na vysávači na vyčistenie výstupnej mriežky ohrievača s ventilátorom.

Pri utieraní prachu používajte mäkkú, čistú handričku, ktorá nepoškriabe povrch.

Na čistenie povrchu zariadenia použite čistú mäkkú handričku navlhčenú teplou vodou. Nepoužívajte domáce alebo abrazívne čistiace prostriedky, pretože tieto prostriedky môžu poškodiť povrch.

Na čistenie skleneného panela zariadenia použite neabrazívnu, vlhkú handričku (nie mokrú) a v prípade potreby tekutý čistiaci prostriedok alebo tekuté mydlo. Nepoužívajte drhnuce prášky ani iné výrobky s abrazívnymi látkami, pretože by poškriabali sklenený panel zariadenia.

Prístroj by sa v žiadnom prípade nemal používať s rozbitým alebo rozbitým skleneným panelom.

Neudierajte ani neupúšťajte sklenený panel zariadenia.

Pred pripojením zariadenia k napájaniu sa uistite, že je úplne suché.

Keď zariadenie nepoužívate, odpojte napájací kábel od elektrickej zásuvky, aby ste zabránili poškodeniu zariadenia alebo náhodnému odpojeniu napájacieho kábla.

LIKVIDÁCIA



Obalové materiály zariadenia sú recyklovateľné a opakovane použiteľné. Obalové materiály nelikvidujte spolu s domovým odpadom, odovzdajte ich na recykláciu na príslušnom zbernom mieste.



Zariadenie sa po uplynutí životnosti zlikviduje. Zariadenie obsahuje cenné materiály, ktoré sa môžu recyklovať. Zariadenie nelikvidujte spolu s domovým odpadom, odovzdajte ho na príslušnom zbernom mieste pre staré elektrozariadenia.

Použité batérie z diaľkového ovládania nevyhadzujte spolu s domovým odpadom, ale odovzdajte ich na príslušnom zbernom mieste použitých batérií.

RIEŠENIE PROBLÉMOV

Problém	Riešenie
Zariadenie sa nezapne.	Skontrolujte, či je zariadenie pripojené k napájaniu. Stlačte hlavné tlačidlo napájania na ovládacom paneli.
Hlavný vypínač sa rozsvieti, ale plameň sa nerozsvieti.	Otvorte zadný panel a skontrolujte, či vreteno plameňa nevypadlo z motora vretena.
Pri vykurovaní sa teplý vzduch neprivádza.	Uistite sa, že nastavená teplota ohrievača je vyššia ako teplota v miestnosti. Niekoľkokrát zapnite/vypnite tlačidlo ohrievača, aby ste sa uistili, že je ohrievač zapnutý.
Ohrievač nefunguje.	Vypnite všetky prevádzkové režimy a odpojte zariadenie na 5 minút zo zásuvky. Po 5 minútach zariadenie opäť zapojte do elektrickej zásuvky a používajte ho ako zvyčajne.
Na displeji ovládacieho panela sa zobrazí chyba "E1".	Vypnite všetky prevádzkové režimy a odpojte zariadenie na 5 minút zo zásuvky. Po 5 minútach zariadenie opäť zapojte do elektrickej zásuvky a používajte ho ako zvyčajne.
Diaľkové ovládanie nefunguje.	Odstráňte plastovú fóliu izolujúcu batériu. / Priblížte diaľkový ovládač k zariadeniu. / Vymeňte batériu v diaľkovom ovládači.

VYHLÁSENIE O ZHODE



Toto zariadenie je v súlade s týmito európskymi smernicami: 2014/35/EÚ (LVD), 2014/30/EÚ (EMC), 2009/125/ES (ERP), 2011/65/EÚ (RoHS).

INFORMAČNÝ LIST VÝROBKU

Identifikátor(-y) modelu: AF24 MULTICOLOR, AF38 MULTICOLOR, AF58 MULTICOLOR					
Položka	Symbol	Hodnota	Jednotka	Položka	Jednotka
Tepelný výkon				Typ tepelného príkonu, len pre elektrické zásobníkové lokálne ohrievače	
Menovitý tepelný výkon	P_{nom}	1,8	kW	manuálna regulácia náplne tepla s integrovaným termostatom	N/A
Minimálny tepelný výkon (orientačný)	P_{min}	0,9	kW	manuálna regulácia náplne tepla so spätnou väzbou na teplotu v miestnosti a/alebo vonkajšiu teplotu	N/A
Maximálny trvalý tepelný výkon	$P_{max,c}$	1,8	kW	elektronická regulácia tepelnej náplne so spätnou väzbou na teplotu v miestnosti a/alebo vonkajšiu teplotu	N/A
Pomocná spotreba elektrickej energie				tepelný výkon s asistenciou ventilátora	
Pri menovitom tepelnom výkone	e_{lmax}	N/A	kW	Typ tepelného výkonu/regulácie teploty v miestnosti	
Pri minimálnom tepelnom výkone	e_{lmin}	N/A	kW	jednostupňový tepelný výkon a bez regulácie teploty v miestnosti	[nie]
V pohotovostnom režime	e_{lSB}	0,7	W	dva alebo viac manuálnych stupňov, bez regulácie teploty v miestnosti	[nie]
				s mechanickým termostatom na reguláciu teploty v miestnosti	[nie]
				s elektronickou reguláciou teploty v miestnosti	[nie]
				elektronická regulácia izbovej teploty a denný časovač	[nie]
				s elektronickou reguláciou teploty v miestnosti a týždenným časovačom	[áno]
Dalšie možnosti ovládania					
				regulácia teploty v miestnosti s detekciou prítomnosti	[nie]
				regulácia teploty v miestnosti s detekciou otvoreného okna	[áno]
				s možnosťou ovládania vzdialenosti	[nie]
				s adaptívnym riadením štartu	[nie]
				s obmedzením pracovného času	[nie]
				s čiernym senzorom žiarovky	[nie]
Kontaktné údaje	ARTIFLAME Sp. z o.o., Grabie 37, 32-002 Węgrzce Wielkie, Poľsko				

ZÁRUČNÉ ZÁVÄZKY

POZOR! Pri kúpe alebo prevzatí výrobku skontrolujte, či je dodaný, či je servisovateľný a či nie je poškodený a či je k dispozícii návod na použitie.

Podmienky záručného servisu

Záručná doba na výrobok je 2 roky od predaja alebo prevzatia, ak existuje obchodný alebo pokladničný/fiškálny alebo prepravný doklad potvrdzujúci dátum predaja alebo prevzatia výrobku. Zákazník má právo na záručnú opravu výrobku počas záručnej doby, ak výrobok zlyhal v dôsledku materiálových alebo výrobných chýb. Uvedená záručná doba sa vzťahuje len na výrobky používané na osobné, rodinné alebo domáce účely, ktoré nesúvisia s obchodnou činnosťou.

Kupujúci stráca nárok na záručnú opravu v prípade:

- Porušenie pokynov na inštaláciu a používanie uvedených v návode na použitie.
- Používanie výrobku na iný ako určený účel.
- Nesprávne pripojenie výrobku k napájaniu.
- Ak sú poruchy výrobku spôsobené nesprávnym skladovaním alebo mechanickým poškodením počas prepravy alebo používania.
- Ak je výrobok silne znečistený zvnútra aj zvonku alebo je zhrdzavený.
- Ak výrobok vykazuje známky neautorizovaného otvorenia/opravy alebo bol podrobený konštrukčným zmenám alebo úpravám.
- Ak používanie výrobku pokračovalo aj po objavení sa poruchy a nebolo zastavené.
- Ak sa vo vnútri výrobku nachádzajú cudzie predmety, kvapaliny, látky alebo hmyz.
- Ak bol štítok z výrobku odstránený.
- Bežné opotrebovanie častí výrobku v dôsledku nadmerného používania. Rovnomerné opotrebovanie dielov pri absencii výrobných chýb neoprávňuje na ich záručnú výmenu.
- Škody spôsobené prírodnými katastrofami (požiar, povodeň atď.) alebo domácimi faktormi (preťaženie, pokles napätia, výpadok prúdu atď.).

Záruka sa nevzťahuje na svietidlá.

V prípade akýchkoľvek otázok týkajúcich sa záručného servisu v EÚ sa obráťte na autorizované servisné stredisko: **+48 12 333 60 74, sklep@artiflame.pl.**

Nižšie uvedený formulár vyplňte paličkovým písmom a pošlite nám ho spolu s poškodeným výrobkom:

Meno, priezvisko:

Adresa:

Poštové smerovacie číslo, Miesto
bydliska:

Dátum, podpis:

Model:

Dôvod nároku:

MAGYAR

Megjegyzés:

Ez a termék csak jól szigetelt helyiségekben vagy alkalmi használatra alkalmas.

TARTALOMJEGYZÉK

Általános információk
Szállítási készlet
Specifikáció
Biztonsági információk
Telepítés
Eszközvezérlés
Gondozás és karbantartás
Ártalmatlanítás
Hibaelhárítás
Megfelelőségi nyilatkozat
Termékinformációs lap
Jótállási kötelezettségek

ÁLTALÁNOS INFORMÁCIÓK

Kedves Ügyfél,

Köszönjük, hogy az ArtiFlame elektromos kandallót választotta – egy háztartási elektromos készüléket, amelyet a helyiség fűtésére terveztek lángutánzó funkcióval.

A minőségi szabványoknak való megfelelés, a készülék funkcionalitása és kialakítása garantálja a megbízható és kényelmes használatot.

Megfelelő telepítés és használat mellett sok éven át élvezheti a készüléket.

A készülék kandallóportálba, szekrénybútorba, fali fülkébe, gipszkartonelembe vagy más, speciálisan előkészített keretbe szerelhető.

Kérjük, hogy a készülék első telepítése és használata előtt figyelmesen olvassa el a használati útmutatót.

Tartsa ezt a felhasználói kézikönyvet hozzáférhető helyen a készülék élettartama alatt vagy a következő tulajdonos számára.

Megjegyzések:

Ebben a kézikönyvben a beépített elektromos kandallóbetét fűtéssel a következő nevei lehetnek: készülék, berendezés, tétel, termék, fűtőberendezés, elektromos kandalló, kandalló stb.

A készülék fejlesztése érdekében a gyártó fenntartja a jogot, hogy előzetes értesítés nélkül megváltoztassa a készülék megjelenését, felépítését, szállítási készletét és specifikációját.

A szövegben, a digitális jelölésekben és a képekben technikai és tipográfiai hibák előfordulhatnak.

SZÁLLÍTÁSI KÉSZLET

Beépített elektromos kandallóbetét fűtéssel – 1 db.

Távírányító – 1 db.

Felhasználói kézikönyv, beleértve a garanciális kötelezettségekre vonatkozó részt – 1 db.

AF24 MULTICOLOR / AF38 MULTICOLOR

AF58 MULTICOLOR

Tartókonzolok – 4 db.

Csavarok – 4 db.

Csavarok – 16 db.

SPECIFIKÁCIÓ

Fűtési terület: legfeljebb 30 négyzetméter

Névleges feszültség: 220-240 V

Névleges frekvencia: 50 Hz

Névleges teljesítmény: 900 / 1800 W

Áramütés elleni védelem: I. osztály

A gyártás dátuma: lásd a készülék címkéjén

Élettartam: korlátlan

AF24 MULTICOLOR

Kályha átlója: 24 hüvelyk

Nettó súly: 11 kg

Termék mérete (szélesség x magasság x mélység), mm: 612 x 500 x 190

Nyílásméret (szélesség x magasság), mm: 585 x 480

AF38 MULTICOLOR

Kályha átlója: 38 hüvelyk

Nettó súly: 15,5 kg

Termék mérete (szélesség x magasság x mélység), mm: 993 x 414 x 190

Nyílásméret (szélesség x magasság), mm: 966 x 395

AF58 MULTICOLOR

Kályha átlója: 58 hüvelyk

Nettó súly: 24,8 kg

Termék mérete (szélesség x magasság x mélység), mm: 1482 x 425 x 190

Nyílásméret (szélesség x magasság), mm: 1440 x 414

Figyelem! Ha a készüléket alacsony háttérzajjal rendelkező helyiségben használja, akkor a láng működését biztosító mechanizmus hangja hallható. Ez normális, és nem ad okot aggodalomra.

BIZTONSÁGI INFORMÁCIÓK

A felhasználó teljes mértékben felelős a készülék szakszerű telepítéséért és a készülék üzemeltetése közbeni biztonságáért.



FIGYELEM! Fontos információk és hasznos tanácsok a készülék használatához.

A készülék biztonságos üzemeltetése és a tűz, áramütés vagy személyi sérülés lehetséges kockázatának elkerülése érdekében tartsa be a szokásos biztonsági figyelmeztetéseket, beleértve a jelen kézikönyvben található utasításokat és figyelmeztetéseket.

Telepítse és használja a készüléket a helyi elektromos és egyéb építési előírásoknak megfelelően.

A készülék telepítése és használata előtt győződjön meg arról, hogy a rajta feltüntetett tápfeszültség megfelel a rendelkezésre álló elektromos áramkör feszültségének.

A készülék beszerelése után biztosítsa a szabad hozzáférést a csatlakozóhoz.

A fűtőberendezés és más nagy teljesítményű elektromos készülékek egyidejű használata ugyanabban az elektromos áramkörben lehetővé teheti a készülék vagy a csatlakoztatott elektromos áramkör biztosítékának kioldását.

A készüléket jól szellőző helyiségben használja.

A fűtőberendezés első használata után gyenge, ártalmatlan szag jelenhet meg. Ez a belső fűtőelemek első beindulásából adódik, és nem kell aggódnia; ez a szag gyorsan elmúlik.

A készülék hővédelmi funkcióval van felszerelve. Túlmelegedés esetén a készülék magától kikapcsol, hogy elkerülje a károsodást vagy a tűzveszélyt. Amint a készülék lehűlt, újra bekapcsolható.

A készüléket csak otthoni használatra szánják; ipari célokra nem használható.

A készülék szakszerűtlen telepítése jelentős kockázatokat okozhat. Ha a készüléket nem tudja saját maga csatlakoztatni az elektromos hálózathoz, vagy ha kétségei vannak a készülék szervizelhetőségével kapcsolatban, hívjon szakképzett villanyszerelőt.

A készülék nem tartalmaz olyan alkatrészeket, amelyek a felhasználó karbantartását igényelnék.

Ne tegye ki a növényeket és az állatokat a készülékből származó forró levegő közvetlen áramlásának.



FIGYELMEZTETÉSEK, amelyeket a készülék károsodásának elkerülése érdekében be kell tartani.

Ne használja a készüléket kültéren.

Ne kapcsolja be a készüléket közvetlenül a szállítás vagy a hidegben való tárolás után. Bekapcsolás előtt legalább 3 órán át tartsa szobahőmérsékleten, hogy elkerülje a készülék belső részein keletkező páralecsapódás okozta károsodást.

Ha van, a készülék mozgatásához használjon fogantyúkat.

Ne kapcsolja be a készüléket a csomagolásban.

Ez a készülék nem használható fürdőszobákban, mosókonyhákban és hasonló beltéri helyiségekben. Soha ne helyezze a készüléket olyan helyre, ahol az kádba vagy más víztartályba eshet.

Ne telepítse vagy használja a készüléket közvetlenül konnektor alá.

Ne vezesse a tápkábelt a szőnyeg alatt. Ne takarja a tápkábelt szőnyegekkel, futókkal vagy hasonlókkal. A tápkábelt a forgalmas területektől távol, és olyan helyen helyezze el, ahol nem lehet megbotlani benne.

A készüléket mindig közvetlenül a konnektorba csatlakoztassa, hosszabbító vagy adapter használata nélkül.

A készüléket csak megfelelően földelt konnektorokhoz csatlakoztassa.

Ne használja a készüléket csavart tápkábellel.

A készülék használatakor ügyeljen arra, hogy a tápkábel ne érjen fűtött felülethez.

Használaton kívül mindig húzza ki a készüléket a hálózathoz.

A készülék leválasztásához kapcsolja ki a vezérlést, majd húzza ki a dugót a konnektorból.

Ne használja a készüléket ruhaszárítóként.

Ne helyezze a készüléket fűtőberendezések közelébe.

Ne használjon olyan készüléket, amely automatikus időzítővel vagy más olyan műszaki berendezéssel rendelkezik, amely automatikusan be- és kikapcsolja a készüléket vagy azt az elektromos áramkört, amelyhez csatlakoztatva van.



FIGYELMEZTETÉSEK, amelyeket a személyi sérülések elkerülése érdekében szigorúan be kell tartani.

A készüléket csak a jelen kézikönyvben leírtak szerint használja. A gyártó által nem ajánlott ettől eltérő használat tüzet, áramütést vagy személyi sérülést okozhat, valamint a garancia megszűnését vonhatja maga után.

Gyermekek, csökkent fizikai, érzékszervi vagy szellemi képességekkel rendelkező személyek, valamint megfelelő ismeretekkel és tapasztalattal nem rendelkező személyek csak akkor használhatják a készüléket, ha a biztonságukért felelős személy felügyelete alatt állnak, vagy ha megfelelő utasítást kaptak a készülék használatára.

Ne hagyjon gyermekeket felügyelet nélkül a kezelőeszköz közelében.

Ne engedje, hogy a gyermekek játsszanak a készülékkel és a csomagolóanyagokkal.

Legyen különösen óvatos, ha a készüléket gyermekek és fogyatékkal élő személyek jelenlétében használja, valamint ha a készüléket működésben és felügyelet nélkül hagyja.

Ne használja a készüléket nem biztonságos helyzetben. A készüléket mindig biztonságosan rögzíteni kell kandallóportálba, szekrénybútorba, fali fülkébe, gipszkartonelembe vagy más, speciálisan előkészített keretbe.

Ne engedje, hogy víz kerüljön a készülékre.

Ne kapcsolja be a készüléket, ha a készülék bármelyik részére víz kerül.

Ha a készülék vízbe esett, azonnal húzza ki a konnektorból a dugót anélkül, hogy a készülékhez vagy a vízhez érne.

Működés közben ne érintse meg a készüléket nedves kézzel.

A készülék működés közben felmelegszik. Az égési sérülések elkerülése érdekében ne érintse meg a forró felületeket.

Soha ne takarja le a készüléket működés közben.

A túlmelegedés, a gyulladás vagy az esetleges tűz megelőzése érdekében semmilyen módon ne zárja el a készülék szellőztetésére és a meleg levegőnek a fűtőberendezésből történő kiáramlására használt légbeömlőket és kipufogókat.

Ne helyezze a készüléket olyan puha felületekre (ágyak, kanapék, szőnyegek stb.), ahol korlátozott a légáramlás.

Ne helyezzen be idegen tárgyakat a szellőző- vagy elszívónyílásokba, és ne engedje, hogy azokba idegen tárgyak kerüljenek.

Tartsa az éghető anyagokat, például bútorokat, párnákat, ágyneműt, papírokat, ruhákat és függönyöket legalább 1 méterre a fűtőtest elejétől. Kerülje az ilyen tárgyak elhelyezését a készülék mögött és mindkét oldalán.

A készülék belsejében forró és szikrázó alkatrészek vannak. Ne használja a készüléket olyan helyen, ahol benzint, festéket vagy gyúlékony folyadékokat használnak vagy tárolnak.

Kapcsolja ki a készüléket, és hagyja kihűlni, mielőtt elmozdítja.

Amikor kihúzza a dugót a konnektorból, ne a zsinórt húzza ki, hanem magát a dugót.

Ne szedje szét és ne módosítsa a készülék kialakítását.

Ne működtesse a készüléket sérült kábellel vagy dugóval, illetve a készülék meghibásodása, leejtése vagy bármilyen módon történő sérülése után.

Ha a készülékből füst, szikrák vagy erős égett szigetelés szaga árad, azonnal hagyja abba a készülék használatát, és húzza ki a dugót a konnektorból.

Ha a készülék elromlott vagy megsérült, ne próbálja megjavítani. Forduljon egy szervizhez vizsgálat, elektromos vagy mechanikai beállítás vagy javítás céljából.

TELEPÍTÉS



FIGYELEM! Legyen óvatos a készülék éles széleivel és sarkaival.



FIGYELEM! A sérülések és a károk elkerülése érdekében a készüléket két emberrel szereltesse fel.

A készüléket megfelelő méretű keretbe (kandallóportál, szekrénybútor, fali fülke, gipszkarton egység stb.) kell beépíteni.

A megfelelő szellőzés biztosítása érdekében a készülék felett és mögött legalább 50 mm távolságot kell hagyni, és a készülék és a keretező részek között légréteget kell kialakítani.

A készüléket nem ajánlott erős fényforrások közelében elhelyezni, hogy elkerülhető legyen a láng üzemmódbeli hatások minőségének romlása.

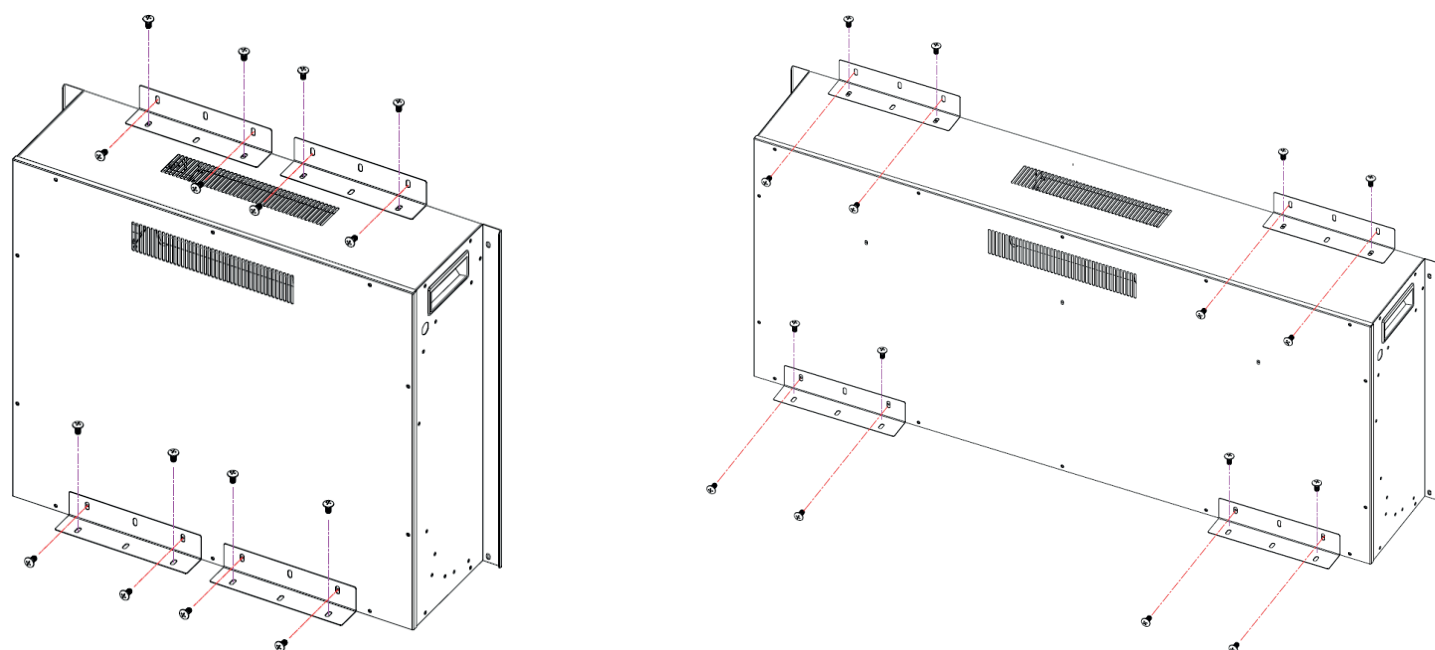
Óvatosan vegye ki a készüléket a csomagolásából. Tárolja el a csomagolást, hogy szükség esetén a későbbiekben is használhassa a készülék biztonságos szállításához.

A készülék végleges telepítése előtt végezzen próbakapcsolást egy megfelelő konnektor segítségével.

A készüléket belülről kell a keretbe beépíteni. Óvatosan helyezze a készüléket a keret hátuljába és középre a nyílásban. Ne próbálja meg a készüléket a keret elülső oldaláról beszerelni – nem fog illeszkedni.

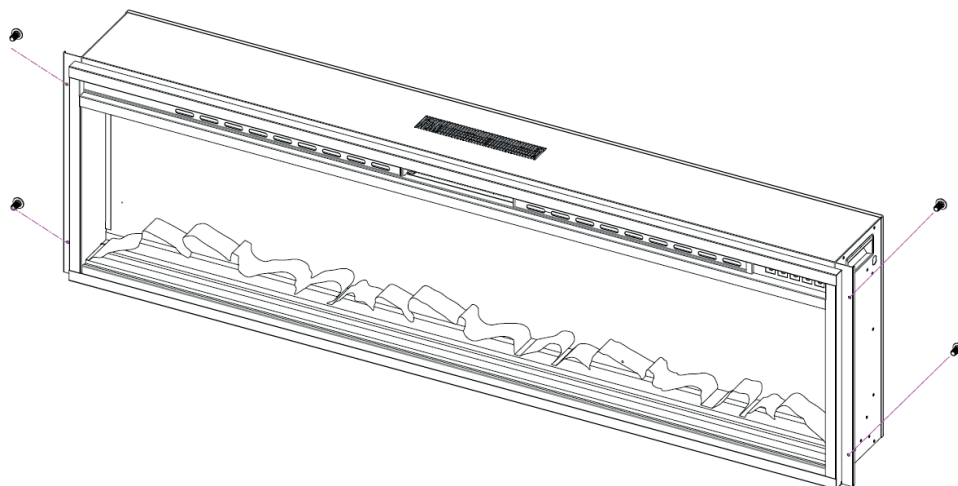
AF24 MULTICOLOR / AF38 MULTICOLOR

Ellenőrizze az igazítást, és rögzítse a készüléket a keretekhez a tartókonzolok és csavarok segítségével, a tartókonzolokon és a készüléken lévő furatokon keresztül behelyezve azokat.



AF58 MULTICOLOR

Ellenőrizze az igazítást, és rögzítse a készüléket a keretezéshez csavarok segítségével, a szerelőléceken lévő furatokon keresztül behelyezve azokat.



A biztonság érdekében a készüléket biztonságosan kell felszerelni és rögzíteni a keretben, hogy használat közben ne mozdulhasson el.

ESZKÖZVEZÉRLÉS

A készülék működtetéséhez a kezelőpanel és a távirányító egyaránt használható.

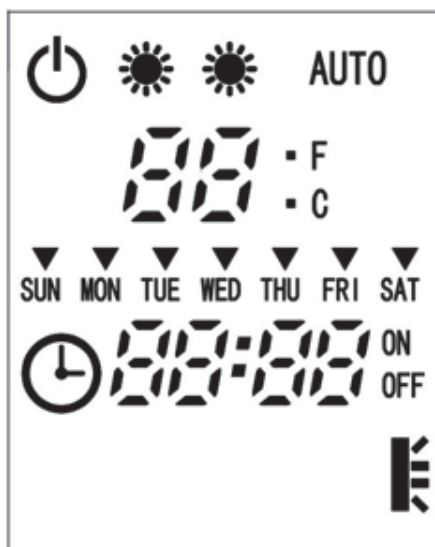
A készülék fűtési és láng üzemmóddal rendelkezik.

Megjegyzés:

A készüléket nem kizárólag fűtőberendezésként való használatra tervezték, láng nélkül.

Digitális kijelző és funkciójelző

A digitális kijelző és a funkciójelző a kiválasztott beállításokkal kapcsolatos információkat mutatja.



Vezérlőpanel

A kezelőpanel a készülék előlapjának jobb felső sarkában található. A kezelőpanel elemei:

- fő bekapcsológomb (1),
- fő láng szín gomb (2),
- tűzifa láng szín gomb (3),
- fűtés gomb (4),
- időzítő gomb (5).



Fő bekapcsológomb (1)

Nyomja meg a fő bekapcsológombot a készülék be- és kikapcsolásához. A készülék bekapcsolásához nyomja meg egyszer a fő bekapcsológombot. A készülék kikapcsolásához nyomja meg újra a fő bekapcsológombot.

Fő láng szín szabályozása (2)



Nyomja meg a gombot (2) a fő láng színének beállításához: F1 (narancs és kék keveréke) – F2 (narancs) – F3 (kék) – F4 (ciklus / a fő láng színének sima automatikus váltása).

Tűzifa láng szín szabályozása (3)

Nyomja meg a gombot (3) a tűzifa láng színének beállításához: L1 (narancs) – L2 (kék) – L3 (rózsaszín) – L4 (ciklus sárgával kiegészítve / a tűzifa láng színének sima automatikus váltása).

Fűtésvezérlés (4)

A fűtőberendezés be- és kikapcsolása a fűtőgomb segítségével történik.

A fűtés gomb nyomása	A fűtőberendezés állapota	Érték a digitális kijelzőn
Első nyomás	Kikapcsolt fűtés	00
Második nyomás	Folyamatos fűtés alacsony teljesítményen – 900 W	Lo 
Harmadik nyomás	Folyamatos fűtés nagy teljesítményen – 1800 W	Hi 
Negyedik nyomás	Kikapcsolt fűtés	00

A hőmérséklet-beállítási üzemmódba való belépéshez vagy abból való kilépéshez tartsa lenyomva a fűtés gombot 3 másodpercig, amikor a fűtés be van kapcsolva. A fűtőgomb segítségével állítsa be a kívánt szobahőmérsékletet 17 °C és 27 °C között Celsiusban (62 °F és 82 °F között Fahrenheitben) vagy "oN" folyamatos fűtés esetén. A teljesítményszint (Alacsony / Magas) a fűtőtest bekapcsolásakor kiválasztott fűtési teljesítménymódtól függ. Amikor a fűtőberendezés a kiválasztott fűtési hőmérsékleten működik, a digitális kijelzőn az "AUTO" felirat jelenik meg. A fűtőberendezés automatikusan kikapcsol, amikor a helyiség hőmérséklete eléri a beállított értéket, és automatikusan bekapcsol, amikor a helyiség hőmérséklete a beállított érték alá csökken. Ügyeljen arra, hogy a fűtőtest beállított hőmérséklete magasabb legyen, mint a szobahőmérséklet; ellenkező esetben a fűtőtest nem tud bekapcsolni, vagy rosszul működhet.

A hőmérsékleti skála Celsius (C) és Fahrenheit (F) közötti váltásához tartsa lenyomva a fő láng szín gombot (2) 3 másodpercig, amikor a fűtőtest be van kapcsolva.

A készülék nyitott ablak érzékelő funkcióval rendelkezik. Ha a beltéri hőmérséklet 5 percen belül 3 fokkal a beállított érték alá csökken, a készülék leállítja a hőszolgáltatást, a hangjelző 5 alkalommal megszólal, és a digitális kijelzőn megjelenik:



Megjegyzés:

A fűtőberendezés kikapcsolása után a fűtőventilátor egy ideig működhet, hogy lehűtse a készülék belső részeit.

Időzítő funkció (5)

A készülék önleállító időzítővel van felszerelve, amelynek időintervalluma 30 perctől 9 óráig terjed. Nyomja meg egymás után az időzítő gombot a 30 perc és 9 óra közötti időintervallum kiválasztásához: 30 – 1H – 2H – 3H – 4H – 5H – 6H – 7H – 8H – 9H. Az időzítő aktiválásakor a digitális kijelzőn megjelenik:



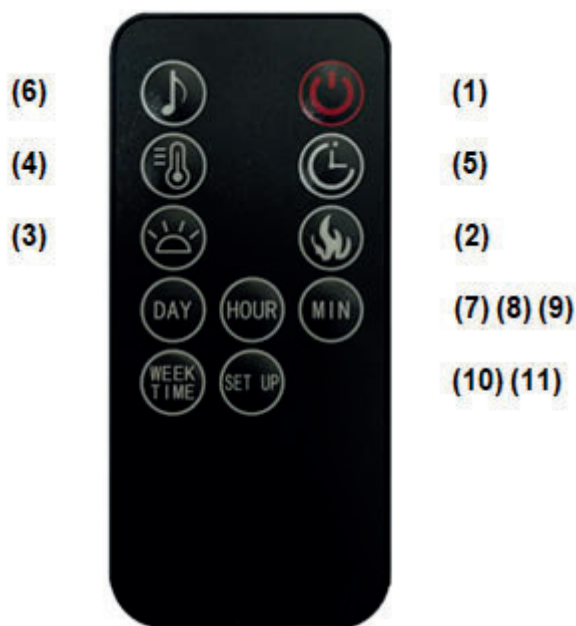
Távírányító

A távirányító gombjainak működése megegyezik a készülék előlapján található gombokéval. A gombok működésével kapcsolatos további információkért tekintse át a Készülékvezérlés című részt.

Távírányító elemek:

- fő bekapcsológomb (1),
- fő láng szín gomb (2),
- tűzifa láng szín gomb (3),
- fűtés gomb (4),

- időzítő gomb (5),
- fatüzelés hangja gomb (6),
- óra és heti időzítő gombok (7, 8, 9, 10, 11).



Fatüzelés hangfunkció (6)

Nyomja meg a távirányító gombját (6) a fatüzelés hangjának be- és kikapcsolásához. A digitális kijelzőn "51" jelenik meg, ha a fatüzelés hangja be van kapcsolva, és "50", ha a fatüzelés hangja ki van kapcsolva.

Óra funkció (7, 8, 9)

Nyomja meg a távirányító gombját (7) a hét aktuális napjának beállításához, és az órák gombjaival (8) és a percek gombjaival (9) állítsa be az aktuális időt.

Az aktuális hét napja és az aktuális idő a digitális kijelzőn jelenik meg, valahányszor aktiválva van.

Ha a készüléket kihúzzák a hálózathoz, az óra-beállítások visszaállnak.

Heti időzítő funkció (8, 9, 10, 11)

A heti időzítő funkció lehetővé teszi a fűtőberendezés automatikus be- és kikapcsolásának beállítását napi egy előre beállított időintervallumra, heti ciklusban (MON – TUE – WED – THU – FRI – SAT – SUN), a legutóbb kézzel beállított fűtési beállításokon belül.

A heti időzítő funkció aktiválásához nyomja meg a gombot (10) a távirányítón.

A (8) gombokkal az órák és (9) gombokkal a percek számára állítsa be a fűtés hétfői bekapcsolásának idejét.

Nyomja meg a gombot (11) a fűtés hétfői kikapcsolásának idejének beállításához.

Használja a (8) gombokat az órák és (9) a percek beállításához a fűtőberendezés hétfői kikapcsolásának időpontjához.

Nyomja meg a gombot (10) a fűtés be-/kikapcsolási idejének beállításának folytatásához a következő napra.

Ugyanezt az eljárást használja a többi napra vonatkozó időintervallumok beállításához.

Ha a heti időzítő funkció gombjait 3 másodpercnél hosszabb ideig nem nyomja tovább, kilép a heti időzítő funkcióból, és megerősíti az előző beállítást.

A heti időzítő beállításainak áttekintéséhez nyomja meg egymás után a gombot (10), hogy az egyes napok bekapcsolási idejét láthassa; a gomb (11) segítségével a kikapcsolási időt; a heti időzítő beállításainak módosításához használja a gombokat (8) az órákhoz és (9) a percekhez.

A heti időzítő kikapcsolásához a hét egy adott napjára vonatkozóan állítsa be a 00:00 órát a fűtés be- és kikapcsolásának idejére.

A heti időzítő manuális kikapcsolásához húzza ki a készüléket a konnektorból, majd kapcsolja vissza.

A távirányító működésének javítása érdekében irányítsa a készülék elejére. Kerülje, hogy a kezelőpanelen lévő infravörös jeladót közvetlen napfénynek tegye ki.

Ne nyomja meg túl erősen vagy túl gyakran a távirányító gombjait. Várjon egy kicsit, mielőtt a készülék végrehajtja a parancsot.

Óvatosan kezelje a távirányítót. Ne ejtse le, ne lépjen rá, és ügyeljen arra, hogy a távirányító ne legyen nedves.

Az elemet a távirányítóval együtt szállítjuk. Az elem kódja CR2025 3V.

A távirányítóval először is el kell távolítani az elemet szigetelő műanyag lapot.

Az elem behelyezésekor ügyeljen arra, hogy annak polaritása megegyezzen a távirányító elemtartójában található jelölésekkel.

Vegye ki az elemet a távirányítóból, ha hosszabb ideig nem fogja használni.

Időben cserélje ki az elemet a távirányítóban.

Próbáljon meg nem újratölthető elemeket használni.

GONDOZÁS ÉS KARBANTARTÁS



FIGYELEM! A készülék tisztítása előtt mindig válassza le az áramellátásról. Először kapcsolja ki a főáramot. Ezután húzza ki az elektromos dugót a konnektorból.



FIGYELEM! Ne használja a készüléket, ha annak bármely része víz alá került. Azonnal hívjon szakképzett szakembert, aki megvizsgálja a készüléket.



FIGYELEM! A készülék tisztítása előtt győződjön meg arról, hogy a készülék teljesen kihűlt.

A fűtőventilátor motorja és a lángmotor a tartós használat érdekében előolajozott, és nem igényel további kenést vagy karbantartást.

A por, a pelyhek és a rovarok eltávolítása érdekében időnként a porszívó puha kefések tartozékával meg kell tisztítani a fűtőventilátor kivezető rácsát.

A portalanításhoz használjon puha, tiszta ruhát, amely nem karcolja meg a felületet.

A készülék felületének tisztításához használjon meleg vízzel megnedvesített, tiszta, puha ruhát. Ne használjon háztartási vagy súrolószeres tisztítószeret, mivel ezek a termékek károsíthatják a felületet.

A készülék üveglapjának tisztításához használjon nem súroló hatású, nedves (nem nedves) ruhát és szükség esetén folyékony tisztítószerrel vagy folyékony szappannal. Ne használjon súrolóportot vagy más, csiszolóanyagokat tartalmazó termékeket, mert azok megkarcolják a készülék üveglapját.

A készüléket semmilyen körülmények között nem szabad törött vagy letört üveglapon üzemeltetni.

Ne üsse vagy ejtse le a készülék üveglapját.

Mielőtt csatlakoztatja a készüléket a tápegységhez, győződjön meg róla, hogy az teljesen száraz.

Ha a készüléket nem használja, húzza ki a tápkábelt a konnektorból, hogy elkerülje a készülék sérülését vagy a tápkábel véletlen kihúzását.

ÁRTALMATLANÍTÁS



A készülék csomagolóanyagai újrahasznosíthatóak és újrafelhasználhatóak. Kérjük, ne dobja ki a csomagolóanyagokat a háztartási hulladékkal együtt, szállítsa el azokat megfelelő gyűjtőhelyre újrahasznosítás céljából.



Az eszközt az élettartamának lejártá után ártalmatlanítani kell. A készülék értékes anyagokat tartalmaz, amelyek újrahasznosíthatók. Kérjük, ne dobja ki a készüléket a háztartási hulladékkal együtt, szállítsa el a régi elektromos berendezéseknek megfelelő gyűjtőhelyre.

Kérjük, hogy a távirányítóból származó használt elemeket ne a háztartási hulladékkal együtt dobja ki, hanem a használt elemeknek megfelelő gyűjtőhelyre szállítsa.

HIBAELHÁRÍTÁS

Probléma	Megoldás
A készülék nem kapcsol be.	Ellenőrizze, hogy a készülék csatlakoztatva van-e a tápegységhez. Nyomja meg a vezérlőpanelen lévő fő bekapcsológombot.
A főkapcsoló világít, de nincs lánghatás.	Nyissa ki a hátlapot, hogy ellenőrizze, nem esett-e ki a lángorsó az orsómotorból.
Fűtéskor a meleg levegőt nem szolgáltatja.	Győződjön meg arról, hogy a fűtőberendezés beállított hőmérséklete magasabb, mint a helyiség hőmérséklete. Többször kapcsolja be/kikapcsolja a fűtőgombot, hogy meggyőződjön arról, hogy a fűtőberendezés be van kapcsolva.
A fűtés nem működik.	Kapcsoljon ki minden működési módot, és húzza ki a készüléket a konnektorból 5 percre. Az 5 perc elteltével dugja vissza a készüléket a fali konnektorba, és használja a készüléket a szokásos módon.
A kezelőpanel kijelzőjén a "E1" hiba jelenik meg.	Kapcsoljon ki minden működési módot, és húzza ki a készüléket a konnektorból 5 percre. Az 5 perc elteltével dugja vissza a készüléket a fali konnektorba, és használja a készüléket a szokásos módon.
A távirányító nem működik.	Távolítsa el az akkumulátort szigetelő műanyag lemezt. / Hozza közelebb a távirányítót a készülékhez. / Tegye vissza az elemet a távirányítóba.

MEGFELELŐSÉGI NYILATKOZAT



Ez a készülék megfelel a következő európai irányelveknek: 2014/35/EU (LVD), 2014/30/EU (EMC), 2009/125/EK (ERP), 2011/65/EU (RoHS).

TERMÉKINFORMÁCIÓS LAP

Modell azonosító(k): AF24 MULTICOLOR, AF38 MULTICOLOR, AF58 MULTICOLOR					
Tétel	Szimbólum	Érték	Egység	Tétel	Egység
Hőteljesítmény			A hőbevitel típusa, csak elektromos tárolós helyi helyiségfűtő készülékek esetében		
Névleges hőteljesítmény	P_{nom}	1,8	kW	kézi hőfokszabályozás beépített termosztáttal	N/A
Minimális hőteljesítmény (tájékoztató jellegű)	P_{min}	0,9	kW	kézi fűtési töltésszabályozás helyiség és/vagy külső hőmérséklet visszajelzéssel	N/A
Maximális folyamatos hőteljesítmény	$P_{max,c}$	1,8	kW	elektronikus fűtési töltésszabályozás helyiség-és/vagy kültéri hőmérséklet-visszacsatolással	N/A
Kiegészítő villamosenergia-fogyasztás			ventilátorral támogatott hőtermelés		
Névleges hőteljesítménynél	eI_{max}	N/A	kW	A fűtési teljesítmény/helyiség-hőmérséklet-szabályozás típusa	
Minimális hőteljesítménynél	eI_{min}	N/A	kW	egyfokozatú fűtési teljesítmény és szobahőmérséklet-szabályozás nélkül	[nem]
Készenléti üzemmódban	eI_{SB}	0,7	W	két vagy több kézi fokozat, nincs szobahőmérséklet-szabályozás	[nem]
				mechanikus termosztátos szobahőmérséklet-szabályozással	[nem]
				elektronikus szobahőmérséklet-szabályozással	[nem]
				elektronikus szobahőmérséklet-szabályozás plusz nappali időzítő	[nem]
				elektronikus szobahőmérséklet-szabályozással és heti időzítővel	[igen]
Egyéb vezérlési lehetőségek					
				szobahőmérséklet-szabályozás, jelenlét-érzékeléssel	[nem]
				szobahőmérséklet-szabályozás, nyitott ablak érzékeléssel	[igen]
				távolságszabályozási lehetőséggel	[nem]
				adaptív indításvezérléssel	[nem]
				munkaidő-korlátozással	[nem]
				fekete izzóérzékelővel	[nem]
Elérhetőségek	ARTIFLAME Sp. z o.o., Grabiszka 37, 32-002 Węgrzce Wielkie, Lengyelország				

JÓTÁLLÁSI KÖTELEZETTSÉGEK

FIGYELEM! A termék megvásárlásakor vagy átvételekor ellenőrizze a szállítási készletet, a szervizelhetőséget és azt, hogy nem sérült-e, valamint hogy rendelkezésre áll-e használati útmutató.

A garanciális szolgáltatás feltételei

A termék jótállási ideje az eladástól vagy átvételtől számított 2 év, amennyiben a termék eladásának vagy átvételének időpontját kereskedelmi vagy készpénz/adóügyi vagy szállítási dokumentum igazolja. A vásárló a jótállási idő alatt jogosult a termék garanciális javítására, ha a termék anyag- vagy gyártási hiba miatt meghibásodott. A fenti jótállási időszak csak a személyes, családi vagy háztartási célokra használt, üzleti tevékenységgel nem összefüggő termékekre vonatkozik.

A vevő elveszíti a garanciális javításhoz való jogát, ha:

- A felhasználói kézikönyvben megadott telepítési és használati utasítások megszegése.
- A termék nem rendeltetésszerű használata.
- A termék helytelen csatlakoztatása a tápegységhez.
- Ha a termék meghibásodását nem megfelelő tárolás vagy szállítás vagy használat közbeni mechanikai sérülés okozza.
- Ha a termék mind külsőleg, mind belsőleg erősen szennyezett, vagy rozsdás.
- Ha a terméken jogosulatlan felnyitás/javítás nyomai láthatók, vagy ha a terméken tervezési változtatásokat vagy módosításokat hajtottak végre.
- Ha a termék használata a hiba megjelenése után folytatódott, és nem állították le.
- Ha idegen tárgyak, folyadékok, anyagok vagy rovarok vannak a termék belsejében.
- Ha a címkét eltávolították a termékről.
- A termék alkatrészeinek normál elhasználódása a túlzott használat miatt. Az alkatrészek egyenletes elhasználódása a gyári hibák hiányában nem jogosít a garanciális cseréjükre.
- Természeti katasztrófák (tűz, árvíz stb.) vagy háztartási tényezők (túlterhelés, feszültségcsökkenés, áramkimaradás stb.) által okozott károk.

A garancia nem terjed ki a lámpákra.

Az EU-n belüli garanciális szervizzel kapcsolatos kérdésekkel forduljon a hivatalos szervizközpontoz:
+48 12 333 60 74, sklep@artiflame.pl.

Kérjük, töltsse ki az alábbi nyomtatványt nyomtatott betűkkel, és küldje vissza nekünk a sérült termékkel együtt:

Keresztnév, vezetéknev: _____

Cím: _____

Irányítószám, lakóhely: _____

Dátum, aláírás: _____

Modell: _____

A követelés oka: _____

ROMÂNĂ

Notă:

Acest produs este adecvat doar pentru spații bine izolate sau pentru utilizare ocazională.

CUPRINS

Informații generale
Set de livrare
Specificații
Informații privind siguranța
Instalare
Controlul dispozitivului
Îngrijire și întreținere
Eliminare
Depanare
Declarație de conformitate
Fișă de informații despre produs
Obligațiile de garanție

INFORMAȚII GENERALE

Stimate client,

Vă mulțumim că ați ales șemineul electric ArtiFlame – un dispozitiv electric de uz casnic conceput pentru a încălzi o cameră cu o funcție de imitație a flăcării.

Conformitatea cu standardele de calitate, funcționalitatea și designul acestui dispozitiv vă vor garanta o utilizare fiabilă și convenabilă.

Cu o instalare și o utilizare corespunzătoare, vă veți bucura de acest dispozitiv timp de mulți ani.

Aparatul poate fi montat într-un portal de șemineu, într-un dulap de mobilier, într-o nișă de perete, într-o unitate de gips-carton sau într-o altă încadrare special pregătită.

Vă rugăm să citiți cu atenție manualul de utilizare înainte de a instala și utiliza acest dispozitiv pentru prima dată.

Păstrați acest manual de utilizare într-un loc accesibil pe toată durata de viață a dispozitivului sau pentru următorul proprietar.

Note:

În acest manual, inserție pentru șemineu electric incorporabil cu încălzire poate avea următoarele denumiri: dispozitiv, echipament, element, produs, încălzitor, șemineu electric, șemineu, șemineu, etc.

Pentru a îmbunătăți dispozitivul, producătorul își rezervă dreptul de a modifica aspectul, construcția, setul de livrare și specificațiile dispozitivului fără notificare prealabilă.

Textul, denumirile digitale și imaginile pot conține erori tehnice și tipografice.

SET DE LIVRARE

Inserție pentru șemineu electric incorporabil cu încălzire – 1 buc.

Telecomandă – 1 buc.

Manual de utilizare, inclusiv secțiunea privind obligațiile de garanție – 1 buc.

AF24 MULTICOLOR / AF38 MULTICOLOR

AF58 MULTICOLOR

Suporturi de montare – 4 buc.

Șuruburi – 4 buc.

Șuruburi – 16 buc.

SPECIFICAȚII

Suprafața de încălzire: până la 30 mp

Tensiune nominală: 220-240 V

Frecvența nominală: 50 Hz

Putere nominală: 900 / 1800 W

Protecție împotriva șocurilor electrice: clasa I

Data de fabricație: a se vedea pe eticheta dispozitivului

Durata de viață: nelimitată

AF24 MULTICOLOR

Diagonala focarului: 24 inci

Greutate netă: 11 kg

Dimensiunea produsului (lățime x înălțime x adâncime), mm: 612 x 500 x 190

Dimensiunea deschiderii (lățime x înălțime), mm: 585 x 480

AF38 MULTICOLOR

Diagonala focarului: 38 inci

Greutate netă: 15,5 kg

Dimensiunea produsului (lățime x înălțime x adâncime), mm: 993 x 414 x 190

Dimensiunea deschiderii (lățime x înălțime), mm: 966 x 395

AF58 MULTICOLOR

Diagonala focarului: 58 inci

Greutate netă: 24,8 kg

Dimensiunea produsului (lățime x înălțime x adâncime), mm: 1482 x 425 x 190

Dimensiunea deschiderii (lățime x înălțime), mm: 1440 x 414

Atenție! Atunci când utilizați aparatul într-o încăpere cu un nivel scăzut de zgomot de fond, puteți auzi sunetul mecanismului care asigură funcționarea flăcării. Acest lucru este normal și nu trebuie să vă îngrijoreze.

INFORMAȚII PRIVIND SIGURANȚA

Utilizatorul este pe deplin responsabil pentru instalarea calificată a dispozitivului și pentru siguranța acestuia în timpul funcționării.



ATENȚIE! Informații importante și sfaturi utile pentru utilizarea dispozitivului.

Respectați avertismentele standard de siguranță, inclusiv instrucțiunile și atenționările conținute în acest manual, pentru a utiliza dispozitivul în siguranță și pentru a evita riscul potențial de incendiu, electrocutare sau rănire a persoanelor.

Instalați și utilizați dispozitivul în conformitate cu codurile electrice locale și cu alte coduri de construcție.

Înainte de a instala și utiliza dispozitivul, asigurați-vă că tensiunea de alimentare indicată pe acesta corespunde cu tensiunea circuitului electric disponibil.

După instalarea dispozitivului, asigurați accesul liber la fișa acestuia.

Utilizarea simultană a încălzitorului cu alte dispozitive electrice puternice în același circuit electric poate activa siguranța din dispozitiv sau din circuitul electric conectat.

Utilizați dispozitivul într-un loc bine ventilat.

După prima utilizare a încălzitorului, este posibil să apară un miros slab, inofensiv. Acesta se datorează primei porniri a pieselor interne de încălzire și nu trebuie să provoace îngrijorare; acest miros va trece rapid.

Dispozitivul este echipat cu o funcție de protecție termică. În caz de supraîncălzire, dispozitivul se va opri singur pentru a evita deteriorarea sau riscul de incendiu. După ce dispozitivul s-a răcit, acesta poate fi pornit din nou.

Aparatul este destinat numai pentru uz casnic obișnuit; nu trebuie utilizat în scopuri industriale.

Instalarea necalificată a dispozitivului poate cauza riscuri semnificative. Dacă nu puteți conecta singur dispozitivul la sursa de alimentare cu energie electrică sau dacă există îndoieli cu privire la capacitatea de service a dispozitivului, apălați la un electrician calificat.

Aparatul nu conține piese care să necesite întreținere din partea utilizatorului.

Nu expuneți plantele și animalele la fluxul direct de aer cald provenit de la aparat.



AVERTISMENTE, care trebuie respectate pentru a evita deteriorarea dispozitivului.

Nu utilizați dispozitivul în aer liber.

Nu porniți aparatul imediat după transport sau depozitare la rece. Înainte de a-l porni, păstrați-l la temperatura camerei timp de cel puțin 3 ore pentru a evita deteriorarea din cauza condensului de pe părțile interne ale dispozitivului.

Dacă este prevăzut, utilizați mânerul atunci când deplasați dispozitivul.

Nu porniți dispozitivul în ambalajul său.

Acest dispozitiv nu este destinat utilizării în băi, spălătorii și în locații interioare similare. Nu amplasați niciodată dispozitivul într-un loc în care acesta ar putea cădea într-o cadă de baie sau într-un alt recipient cu apă.

Nu instalați și nu utilizați dispozitivul direct sub o priză de curent.

Nu introduceți cablul de alimentare sub covor. Nu acoperiți cablul de alimentare cu covoare, carpete sau altele asemenea. Aranjați cablul de alimentare departe de zonele de trafic și unde nu se va împiedica de el.

Întotdeauna conectați dispozitivul direct la o priză de curent, fără a folosi un prelungitor sau un adaptor.

Conectați dispozitivul numai la prize cu împământare corespunzătoare.

Nu utilizați dispozitivul cu un cablu de alimentare răsucit.

Când utilizați aparatul, asigurați-vă că cablul de alimentare nu atinge suprafețele încălzite.

Scoateți întotdeauna dispozitivul din priză atunci când nu este utilizat.

Pentru a deconecta aparatul, opriți comenzile, apoi scoateți ștecherul din priză.

Nu folosiți aparatul ca uscător de rufe.

Nu așezați dispozitivul în apropierea aparatelor de încălzire.

Nu utilizați un aparat cu temporizator automat sau orice alt echipament tehnic care pornește/oprește automat aparatul sau un circuit electric la care este conectat.



AVERTISMENTE, care trebuie respectate cu strictețe pentru a evita rănirea persoanelor.

Utilizați aparatul numai așa cum este descris în acest manual. Orice altă utilizare nerecomandată de producător poate provoca incendii, șocuri electrice sau vătămări corporale, precum și încetarea garanției.

Copiii, persoanele cu capacități fizice, senzoriale sau mentale reduse, precum și persoanele care nu au cunoștințe și experiență adecvate nu au voie să utilizeze dispozitivul decât dacă se află sub supravegherea unei persoane responsabile pentru siguranța lor sau dacă au fost instruite în mod corespunzător cu privire la modul de utilizare a dispozitivului.

Nu lăsați copiii nesupravegheați în apropierea dispozitivului de operare.

Nu permiteți copiilor să se joace cu dispozitivul și cu materialele de ambalare.

Fiți deosebit de atent atunci când utilizați dispozitivul în prezența copiilor și a persoanelor cu handicap și ori de câte ori acesta este lăsat în funcțiune și nesupravegheat.

Nu utilizați dispozitivul într-o poziție neasigurată. Aparatul trebuie să fie întotdeauna fixat în siguranță într-un portal de șemineu, într-un mobilier de dulap, într-o nișă de perete, într-o unitate de gips-carton sau într-o altă încadrare special pregătită.

Nu permiteți ca apa să ajungă pe dispozitiv.

Nu porniți aparatul dacă apa ajunge pe orice parte a acestuia.

Dacă aparatul a căzut în apă, scoateți imediat ștecherul din priză de alimentare fără a atinge aparatul sau apa.

Nu atingeți dispozitivul în timpul funcționării acestuia cu mâinile umede.

Dispozitivul se încălzește în timpul funcționării. Pentru a evita arsurile, nu atingeți suprafețele sale fierbinți.

Nu acoperiți niciodată aparatul atunci când acesta este în funcțiune.

Pentru a preveni supraîncălzirea, aprinderea sau un posibil incendiu, nu blocați în niciun fel intrările de aer și evacuările utilizate pentru ventilarea aparatului și pentru evacuarea aerului cald din încălzitor.

Nu instalați aparatul pe suprafețe moi (paturi, canapele, covoare etc.) cu circulație limitată a aerului.

Nu introduceți și nu permiteți ca obiecte străine să intre în niciuna dintre deschiderile de ventilație sau de evacuare.

Păstrați materialele combustibile, cum ar fi mobila, pernele, lenjeria de pat, hârtiile, hainele și perdelele la cel puțin 1 metru de partea din față a încălzitorului. Evitați să plasați astfel de obiecte în spatele și de o parte și de alta a unității.

Un dispozitiv are în interior piese fierbinți și cu scântei. Nu utilizați dispozitivul în zone în care se utilizează sau se depozitează benzină, vopsele sau lichide inflamabile.

Opritiți aparatul și lăsați-l să se răcească înainte de a-l muta.

Când scoateți ștecherul din priză, nu trageți de cablu, ci de ștecherul în sine.

Nu dezasamblați și nu modificați designul dispozitivului.

Nu folosiți dispozitivul cu un cablu sau o fișă deteriorată sau după ce dispozitivul funcționează defectuos sau a fost scăpat sau deteriorat în orice mod.

În cazul în care din aparat iese fum, scântei sau un miros puternic de izolație arsă, opritiți imediat utilizarea acestuia și scoateți ștecherul din priză.

Dacă dispozitivul este rupt sau deteriorat, nu încercați să îl reparați. Contactați o unitate de service pentru examinare, reglare electrică sau mecanică sau reparație.

INSTALARE



AVERTISMENT! Aveți grijă la marginile și colțurile ascuțite ale dispozitivului.



AVERTISMENT! Instalați dispozitivul cu două persoane pentru a evita rănirea și deteriorarea acestuia.

Aparatul trebuie utilizat într-o ramă de dimensiuni adecvate (portal de șemineu, mobilier de dulap, nișă de perete, unitate de gips-carton etc.).

Pentru a asigura o ventilație adecvată, asigurați distanțe de cel puțin 50 mm deasupra și în spatele dispozitivului, creând un strat de aer între dispozitiv și părțile de încadrare.

Nu se recomandă instalarea dispozitivului în apropierea unor surse de lumină puternică pentru a evita degradarea calității efectelor modului flacăra.

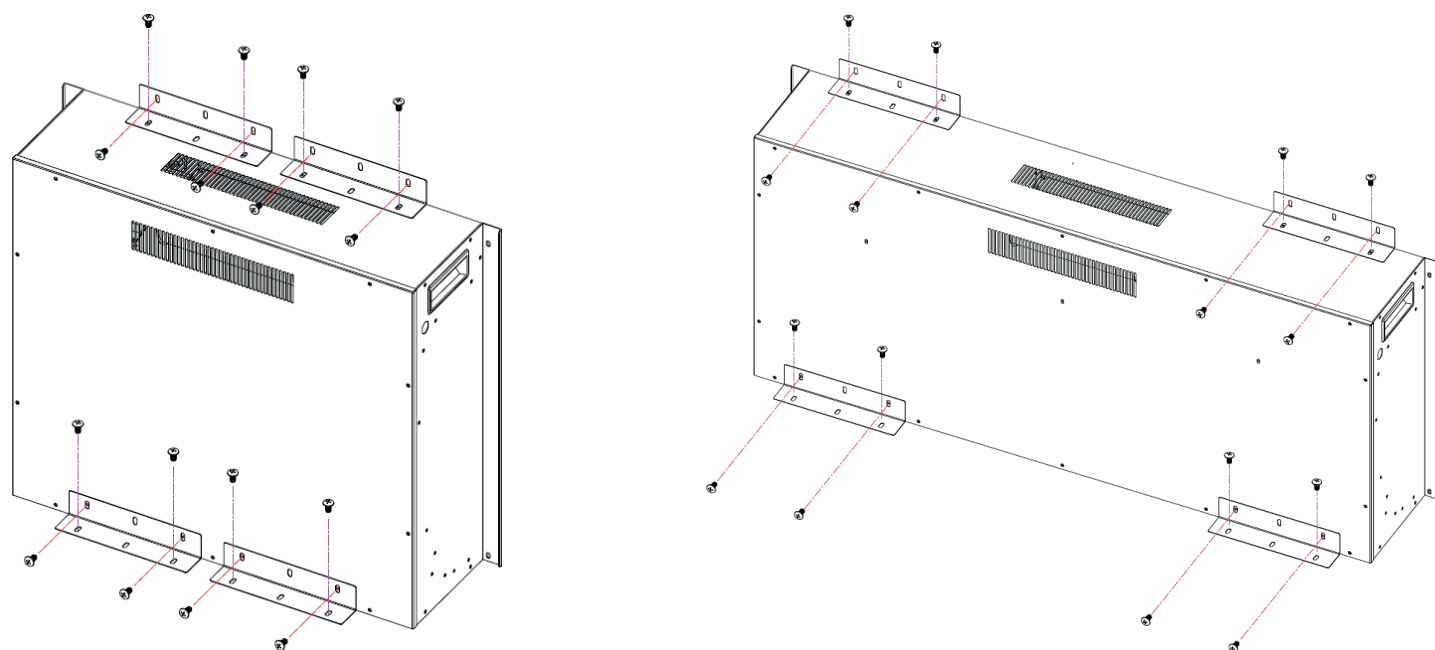
Scoateți cu grijă dispozitivul din ambalaj. Păstrați ambalajul pentru utilizarea sa viitoare pentru transportul în siguranță al dispozitivului, dacă este necesar.

Înainte de instalarea finală a dispozitivului, efectuați un test de pornire folosind o priză de alimentare corespunzătoare.

Dispozitivul se instalează în cadru din interior. Se montează cu grijă dispozitivul în partea din spate a cadrului și se centrează în deschidere. Nu încercați să instalați dispozitivul din partea din față a cadrului – acesta nu se va potrivi.

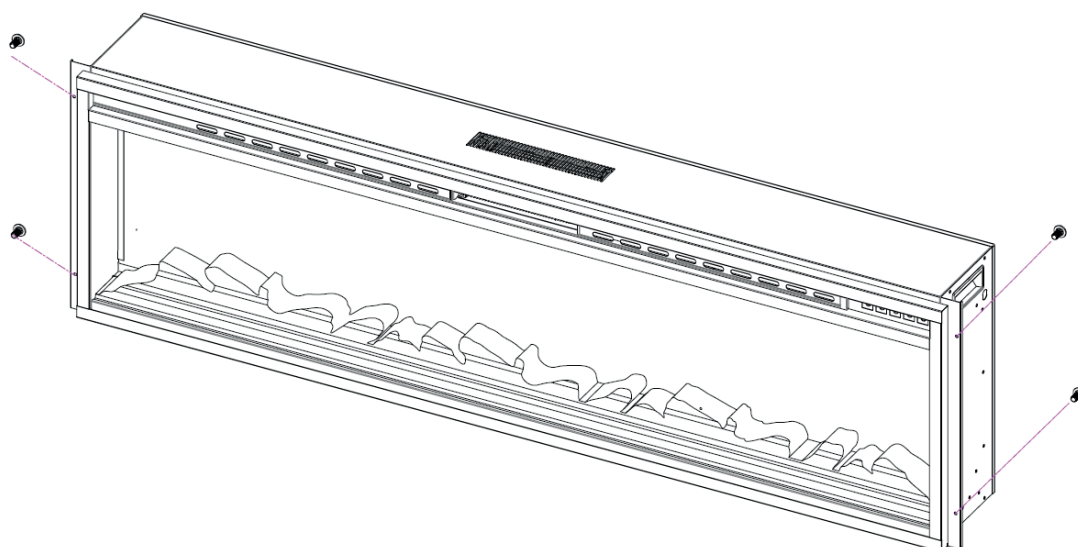
AF24 MULTICOLOR / AF38 MULTICOLOR

Verificați alinierea și fixați dispozitivul pe structura de cadre cu ajutorul suporturilor de montare și a șuruburilor, introducându-le prin găurile perforate pe suporturile de montare și pe dispozitiv.



AF58 MULTICOLOR

Verificați alinierea și fixați aparatul pe structura de încadrare cu ajutorul șuruburilor, introducându-le prin găurile perforate de pe garniturile de montare.



Pentru a asigura siguranța, dispozitivul trebuie să fie montat și fixat în mod sigur în cadru, astfel încât să nu se poată deplasa în timpul utilizării sale.

CONTROLUL DISPOZITIVULUI

Pentru a opera dispozitivul, se pot utiliza atât panoul de control, cât și telecomanda.

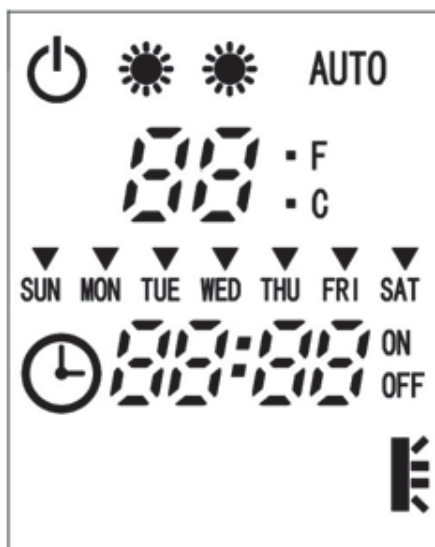
Dispozitivul are moduri de încălzire și de flacără.

Notă:

Dispozitivul nu este conceput pentru a fi utilizat doar ca încălzitor, fără flacără.

Afișaj digital și indicator de funcție

Afișajul digital și indicatorul de funcție afișează informații despre setările selectate.



Panou de control

Panoul de control este situat în colțul din dreapta sus al panoului frontal al dispozitivului. Elementele panoului de control:

- butonul principal de alimentare (1),
- butonul de culoare a flăcării principale (2),
- butonul de culoare a flăcării pentru lemne de foc (3),
- butonul de încălzire (4),
- butonul de temporizare (5).



Butonul principal de alimentare (1)

Apăsați butonul principal de alimentare pentru a porni și opri dispozitivul. Apăsați o dată butonul principal de alimentare pentru a porni dispozitivul. Apăsați din nou butonul principal de alimentare pentru a opri dispozitivul.

Controlul culorii flăcării principale (2)



Apăsați butonul (2) pentru a seta culoarea flăcării principale: F1 (amestec de portocaliu și albastru) – F2 (portocaliu) – F3 (albastru) – F4 (ciclu / schimbare automată lină a culorii flăcării principale).

Controlul culorii flăcării pentru lemne de foc (3)

Apăsați butonul (3) pentru a seta culoarea flăcării pentru lemne de foc: L1 (portocaliu) – L2 (albastru) – L3 (roz) – L4 (ciclu cu galben în plus / schimbare automată lină a culorii flăcării pentru lemne de foc).

Controlul încălzitorului (4)

Încălzitorul este pornit și oprit cu ajutorul butonului de încălzire.

Apăsați butonul de încălzire	Starea încălzitorului	Valoarea afișajului digital
Prima apăsare	Încălzitorul este oprit	00
A doua apăsare	Încălzire continuă de putere redusă – 900 W	Lo 
A treia apăsare	Încălzire continuă de putere mare – 1800 W	Hi 
A patra apăsare	Încălzitorul este oprit	00

Pentru a intra sau a ieși din modul de reglare a temperaturii, apăsați și mențineți apăsat butonul de încălzire timp de 3 secunde când încălzitorul este pornit. Folosiți butonul încălzitorului pentru a seta temperatura dorită a camerei între 17 °C și 27 °C în grade Celsius (între 62 °F și 82 °F în grade Fahrenheit) sau "oN" pentru încălzire continuă. Nivelul de putere (Low / High) depinde de modul de putere de încălzire selectat la pornirea încălzitorului. Atunci când încălzitorul funcționează la temperatura de încălzire selectată, afișajul digital arată "AUTO". Încălzitorul se oprește automat atunci când temperatura camerei atinge punctul setat și se pornește automat atunci când temperatura camerei scade sub punctul setat. Asigurați-vă că temperatura setată a încălzitorului este mai mare decât temperatura camerei; în caz contrar, încălzitorul nu se poate porni sau poate funcționa greșit.

Pentru a schimba scara de temperatură între Celsius (C) și Fahrenheit (F), apăsați și mențineți apăsat butonul de culoare a flăcării principale (2) timp de 3 secunde când încălzitorul este pornit.

Aparatul are o funcție de detectare a ferestrei deschise. Dacă temperatura interioară scade cu 3 grade sub valoarea setată în decurs de 5 minute, dispozitivul va opri furnizarea de căldură, soneria va suna de 5 ori, iar pe afișajul digital va apărea:



Notă:

După oprirea încălzitorului, ventilatorul acestuia poate funcționa o perioadă de timp pentru a răci părțile interne ale dispozitivului.

Funcția de temporizare (5)

Aparatul este echipat cu un temporizator de oprire automată cu intervale de timp de la 30 de minute la 9 ore. Apăsați secvențial butonul temporizatorului pentru a selecta un interval de timp de la 30 de minute la 9 ore: 30 – 1H – 2H – 3H – 4H – 5H – 6H – 7H – 8H – 9H. Atunci când temporizatorul este activat, afișajul digital arată:



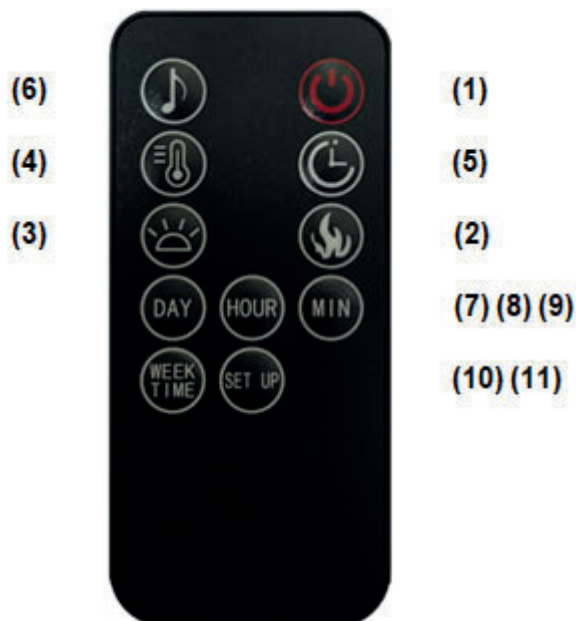
Telecomandă

Funcționarea butoanelor telecomenzii funcționează la fel ca butoanele de pe panoul frontal al aparatului. Consultați secțiunea Controlul dispozitivului pentru mai multe informații despre funcționalitatea acestor butoane.

Elemente de telecomandă:

- butonul principal de alimentare (1),
- butonul de culoare a flăcării principale (2),
- butonul de culoare a flăcării pentru lemne de foc (3),

- butonul de încălzire (4),
- butonul de temporizare (5),
- butonul de sunet de ardere a lemnului (6),
- butoanele ceas și cronometru săptămânal (7, 8, 9, 10, 11).



Funcția de sunet de ardere a lemnului (6)

Apăsați butonul (6) de pe telecomandă pentru a porni/opri sunetul de ardere a lemnului. Afișajul digital afișează "51" atunci când sunetul de ardere a lemnului este activat și "50" atunci când sunetul de ardere a lemnului este dezactivat.

Funcția de ceas (7, 8, 9)

Apăsați butonul (7) de pe telecomandă pentru a seta ziua curentă a săptămânii și utilizați butoanele (8) pentru ore și (9) pentru minute pentru a seta ora curentă.

Ziua curentă a săptămânii și ora sunt afișate pe afișajul digital ori de câte ori este activat.

Atunci când aparatul este scos din priză, setările ceasului sunt resetate.

Funcția de cronometru săptămânal (8, 9, 10, 11)

Funcția de temporizator săptămânal permite setarea încălzitorului pentru a porni/opri automat pentru un interval de timp prestabilit pe zi într-un ciclu săptămânal (MON – TUE – WED – THU – FRI – SAT – SUN) în cadrul setărilor de încălzire care au fost setate ultima dată manual.

Apăsați butonul (10) de pe telecomandă pentru a activa funcția de temporizare săptămânală.

Folosiți butoanele (8) pentru ore și (9) pentru minute pentru a seta ora de pornire a încălzitorului în ziua de luni.

Apăsați butonul (11) pentru a trece la setarea orei pentru oprirea încălzitorului în ziua de luni.

Folosiți butoanele (8) pentru ore și (9) pentru minute pentru a seta ora de oprire a încălzitorului în ziua de luni.

Apăsați butonul (10) pentru a continua setarea orei de pornire/oprire a încălzitorului pentru ziua următoare.

Utilizați aceeași procedură pentru a seta intervalele de timp pentru alte zile.

Dacă nu mai apăsați butoanele funcției de temporizare săptămânală timp de mai mult de 3 secunde, veți ieși din funcția de temporizare săptămânală și veți confirma setarea anterioară.

Pentru a revedea setările temporizatorului săptămânal, apăsați secvențial butonul (10) pentru a vedea ora de pornire pentru fiecare zi; utilizați butonul (11) pentru a vedea ora de oprire; pentru a modifica setările temporizatorului săptămânal, utilizați butoanele (8) pentru ore și (9) pentru minute.

Pentru a dezactiva temporizatorul săptămânal pentru o anumită zi a săptămânii, setați 00:00 pentru orele de pornire și oprire a încălzitorului.

Pentru a dezactiva manual temporizatorul săptămânal, deconectați aparatul de la priza de perete și porniți-l din nou.

Pentru a îmbunătăți funcționarea telecomenzii, îndreptați-o spre partea din față a aparatului. Evitați să expuneți transmițătorul cu infraroșu de pe panoul de comandă la lumina directă a soarelui.

Nu apăsați prea tare sau prea des butoanele telecomenzii. Așteptați puțin înainte ca aparatul să execute o comandă.

Manipulați ușor telecomanda. Nu o scăpați, nu călcați pe ea și asigurați-vă că telecomanda nu se udă.

Bateria este furnizată cu o telecomandă. Codul bateriei este CR2025 3V.

Primul lucru pe care trebuie să-l faceți cu telecomanda este să îndepărtați folia de plastic care izolează bateria.

Când introduceți bateria, asigurați-vă că polaritatea acesteia corespunde cu marcajele din interiorul compartimentului pentru baterii al telecomenzii.

Scoateți bateria de pe telecomandă dacă nu o veți folosi pentru o perioadă lungă de timp.

Înlocuiți la timp bateria din telecomandă.

Încercați să nu folosiți baterii reîncărcabile.

ÎNGRIJIRE ȘI ÎNTREȚINERE



AVERTISMENT! Deconectați întotdeauna de la sursa de alimentare înainte de a curăța dispozitivul. În primul rând, opriți alimentarea principală. Apoi scoateți fișa electrică din priza de perete.



AVERTISMENT! Nu utilizați dispozitivul dacă orice parte a acestuia a fost sub apă. Chemați imediat un tehnician calificat pentru a inspecta dispozitivul.



AVERTISMENT! Înainte de a curăța aparatul, asigurați-vă că acesta s-a răcit complet.

Motorul ventilatorului încălzitorului și motorul de flacără sunt pre-lubrifiate pentru o durată de utilizare durabilă și nu necesită lubrifiere sau întreținere suplimentară.

Pentru a îndepărta orice acumulare de praf, puf și insecte, este necesar să se utilizeze ocazional peria moale a aspiratorului pentru a curăța grila de ieșire a aerotermei.

Pentru a șterge praful, utilizați o cârpă moale și curată, care să nu zgârie suprafața.

Utilizați o cârpă moale și curată, umezită cu apă caldă, pentru a curăța suprafața dispozitivului. Nu utilizați detergenți de uz casnic sau abrazivi, deoarece aceste produse pot deteriora suprafața.

Pentru a curăța panoul de sticlă al dispozitivului, utilizați o cârpă neabrazivă, umedă (nu umeză) și, dacă este necesar, un detergent lichid sau un săpun lichid. Nu utilizați prafuri de curățat sau alte produse cu substanțe abrazive, deoarece acestea vor zgâria panoul de sticlă al dispozitivului.

În nici un caz nu trebuie să se utilizeze dispozitivul cu un panou de sticlă spart sau ciobit.

Nu loviți și nu scăpați panoul de sticlă al dispozitivului.

Înainte de a conecta dispozitivul la sursa de alimentare, asigurați-vă că acesta este complet uscat.

Când dispozitivul nu este utilizat, scoateți cablul de alimentare din priză pentru a preveni deteriorarea dispozitivului sau deconectarea accidentală a cablului de alimentare.

ELIMINARE



Materialele de ambalare ale dispozitivului sunt reciclabile și reutilizabile. Vă rugăm să nu aruncați materialele de ambalare împreună cu deșeurile menajere, ci să le predați la un loc de colectare adecvat pentru reciclare.



Dispozitivul este eliminat după expirarea duratei de viață utilă. Dispozitivul conține materiale valoroase care pot fi reciclate. Vă rugăm să nu aruncați dispozitivul împreună cu deșeurile menajere, livrați-l la un loc de colectare adecvat pentru echipamente electrice vechi.

Vă rugăm să nu aruncați bateriile uzate de la telecomandă împreună cu deșeurile menajere, ci să le depuneți la locul de colectare adecvat pentru baterii uzate.

DEPANARE

Problema	Soluție
Aparatul nu pornește.	Verificați dacă dispozitivul este conectat la sursa de alimentare. Apăsăți butonul principal de alimentare de pe panoul de control.
Înterupătorul principal se aprinde, dar nu are efect de flacără.	Deschideți panoul din spate pentru a verifica dacă fusul de flacără nu a căzut din motorul fusului.
La încălzire, nu se furnizează aer cald.	Asigurați-vă că temperatura de setare a încălzitorului este mai mare decât temperatura camerei. Porniți/opriți butonul de încălzire de mai multe ori pentru a vă asigura că încălzitorul este pornit.
Încălzitorul nu funcționează.	Opriți toate modurile de funcționare și deconectați aparatul de la priza de perete timp de 5 minute. După 5 minute, conectați din nou dispozitivul la priza de perete și utilizați-l în mod normal.
Afișajul panoului de comandă indică eroarea "E1".	Opriți toate modurile de funcționare și deconectați aparatul de la priza de perete timp de 5 minute. După 5 minute, conectați din nou dispozitivul la priza de perete și utilizați-l în mod normal.
Telecomanda nu funcționează.	Îndepărtați folia de plastic care izolează bateria. / Apropiati telecomanda de aparat. / Înlocuiți bateria din telecomandă.

DECLARAȚIE DE CONFORMITATE



Acest dispozitiv este conform cu următoarele directive europene: 2014/35/UE (LVD), 2014/30/UE (EMC), 2009/125/CE (ERP), 2011/65/UE (RoHS).

FIȘA DE INFORMAȚII DESPRE PRODUS

Identificator(ți) de model: AF24 MULTICOLOR, AF38 MULTICOLOR, AF58 MULTICOLOR					
Articolul	Simbol	Valoarea	Unitatea	Articolul	Unitatea
Putere termică				Tipul de intrare a căldurii, numai pentru încălzitoarele locale electrice cu acumulare	
Putere termică nominală	P_{nom}	1,8	kW	control manual al încărcăturii de căldură cu termostat integrat	N/A
Puterea termică minimă (indicativă)	P_{min}	0,9	kW	control manual al încărcăturii de căldură cu feedback de temperatură ambiantă și/sau exterioară	N/A
Putere termică maximă continuă	$P_{max,c}$	1,8	kW	control electronic al încărcăturii de căldură cu feedback de temperatură ambiantă și/sau exterioară	N/A
Consumul de energie electrică auxiliară				ieșire de căldură asistată de ventilator	N/A
La puterea termică nominală	eI_{max}	N/A	kW	Tipul de ieșire a căldurii/controlul temperaturii camerei	
La puterea termică minimă	eI_{min}	N/A	kW	ieșire de căldură într-o singură etapă și fără control al temperaturii camerei	[nu]
În modul standby	eI_{sb}	0,7	W	două sau mai multe etape manuale, fără control al temperaturii camerei	[nu]
				cu termostat mecanic controlul temperaturii camerei	[nu]
				cu control electronic al temperaturii camerei	[nu]
				control electronic al temperaturii camerei plus temporizator de zi	[nu]
				cu control electronic al temperaturii camerei și cronometru săptămânal	[da]
Alte opțiuni de control					
				control al temperaturii camerei, cu detectare a prezenței	[nu]
				controlul temperaturii camerei, cu detectarea ferestrei deschise	[da]
				cu opțiunea de control al distanței	[nu]
				cu control adaptiv al pornirii	[nu]
				cu limitare a timpului de lucru	[nu]
				cu senzor cu bec negru	[nu]
Detalii de contact	ARTIFLAME Sp. z o.o., Grabie 37, 32-002 Węgrzce Wielkie, Polonia				

OBLIGAȚIILE DE GARANȚIE

ATENȚIE! Atunci când cumpărați sau primiți un produs, verificați setul de livrare, capacitatea de service și dacă acesta nu este deteriorat, precum și dacă este disponibil un manual de utilizare.

Termeni și condiții de service în garanție

Perioada de garanție a produsului este de 2 ani de la vânzare sau de la recepție, dacă există un document comercial sau de numerar/fiscal sau de transport care să confirme data vânzării sau a recepției produsului. Clientul are dreptul de a garanta repararea produsului în timpul perioadei de garanție, în cazul în care produsul a cedat din cauza unor defecte materiale sau de fabricație. Perioada de garanție de mai sus se aplică numai produselor utilizate în scopuri personale, familiale sau casnice, care nu au legătură cu activitățile comerciale.

Cumpărătorul își pierde dreptul la reparația în garanție în cazul în care:

- Încălcarea instrucțiunilor de instalare și utilizare furnizate în manualul de utilizare.
- Utilizarea produsului în alte scopuri decât cele prevăzute.
- Conectarea greșită a produsului la sursa de alimentare.
- Dacă defectiunile produsului sunt cauzate de depozitarea necorespunzătoare sau de deteriorări mecanice în timpul transportului sau utilizării.
- În cazul în care produsul este puternic contaminat atât la interior, cât și la exterior, sau este ruginit.
- În cazul în care produsul prezintă semne de deschidere/reparare neautorizată sau a fost supus unor schimbări sau modificări de design.
- În cazul în care utilizarea produsului a continuat după apariția defectiunii și nu a fost oprită.
- Dacă în interiorul produsului se află obiecte străine, lichide, substanțe sau insecte.
- În cazul în care eticheta a fost îndepărtată de pe produs.
- Uzura normală a pieselor produsului din cauza utilizării excesive. Uzura uniformă a pieselor la defecte de fabrică absente nu dă dreptul la înlocuirea lor în garanție.
- Pagubele cauzate de dezastre naturale (incendii, inundații etc.) sau de factori interni (suprasarcină, cădere de tensiune, întrerupere de curent etc.).

Garanția nu acoperă lămpile.

În cazul în care aveți întrebări referitoare la serviciul de garanție în UE, vă rugăm să contactați centrul de service autorizat: **+48 12 333 60 74, sklep@artiflame.pl**.

Vă rugăm să completați formularul de mai jos cu litere de tipar și să ni-l returnați împreună cu produsul deteriorat:

Nume, prenume, nume de familie: _____

Adresă: _____

Codul poștal, Locul de reședință: _____

Data, Semnătura: _____

Model: _____

Motivul cererii: _____

FRANÇAIS

Remarque :

Ce produit ne convient qu'aux espaces bien isolés ou à un usage occasionnel.

TABLE DES MATIÈRES

Informations générales
Kit de livraison
Spécifications
Informations sur la sécurité
Installation
Contrôle des appareils
Entretien et maintenance
Élimination
Dépannage
Déclaration de conformité
Fiche d'information sur le produit
Obligations de garantie

INFORMATIONS GÉNÉRALES

Cher client,

Merci d'avoir choisi la cheminée électrique ArtiFlame – un appareil électrique domestique conçu pour chauffer une pièce avec une fonction d'imitation de flamme.

La conformité aux normes de qualité, la fonctionnalité et la conception de cet appareil vous garantissent une utilisation fiable et pratique.

Avec une installation et une utilisation correctes, vous profiterez de l'appareil pendant de nombreuses années.

L'appareil peut être monté dans un portique de cheminée, un meuble, une niche murale, une plaque de plâtre ou un autre cadre spécialement préparé.

Veuillez lire attentivement le manuel d'utilisation avant d'installer et d'utiliser cet appareil pour la première fois.

Conservez ce manuel d'utilisation dans un endroit accessible pendant toute la durée de vie de l'appareil ou pour le prochain propriétaire.

Notes :

Dans ce manuel, l'insert de cheminée électrique encastrable avec chauffage peut porter les noms suivants : dispositif, équipement, article, produit, appareil de chauffage, cheminée électrique, foyer, etc.

Afin d'améliorer l'appareil, le fabricant se réserve le droit de modifier l'apparence, la construction, le kit de livraison et les spécifications de l'appareil sans préavis.

Des erreurs techniques et typographiques peuvent se produire dans le texte, les désignations numériques et les images.

KIT DE LIVRAISON

Insert de cheminée électrique encastrable avec chauffage – 1 pièce.

Télécommande – 1 pièce.

Manuel d'utilisation comprenant la section relative aux obligations de garantie – 1 pièce.

AF24 MULTICOLOR / AF38 MULTICOLOR

AF58 MULTICOLOR

Supports de montage – 4 pièces.

Vis – 4 pièces.

Vis – 16 pièces.

SPÉCIFICATIONS

Surface de chauffage : jusqu'à 30 m²

Tension nominale : 220-240 V

Fréquence nominale : 50 Hz

Puissance nominale : 900 / 1800 W

Protection contre les chocs électriques : classe I

Date de fabrication : voir sur l'étiquette de l'appareil

Durée de vie : illimitée

AF24 MULTICOLOR

Diagonale de l'âtre : 24 pouces

Poids net : 11 kg

Dimensions du produit (largeur x hauteur x profondeur), mm : 612 x 500 x 190

Dimensions de l'ouverture (largeur x hauteur), mm : 585 x 480

AF38 MULTICOLOR

Diagonale de l'âtre : 38 pouces

Poids net : 15,5 kg

Dimensions du produit (largeur x hauteur x profondeur), mm : 993 x 414 x 190

Dimensions de l'ouverture (largeur x hauteur), mm : 966 x 395

AF58 MULTICOLOR

Diagonale de l'âtre : 58 pouces

Poids net : 24,8 kg

Dimensions du produit (largeur x hauteur x profondeur), mm : 1482 x 425 x 190

Dimensions de l'ouverture (largeur x hauteur), mm : 1440 x 414

Attention ! Lorsque vous utilisez l'appareil dans une pièce où le niveau de bruit de fond est faible, vous pouvez entendre le bruit du mécanisme qui assure le fonctionnement de la flamme. Ce phénomène est normal et ne doit pas vous inquiéter.

INFORMATIONS SUR LA SÉCURITÉ

L'utilisateur est entièrement responsable de l'installation qualifiée de l'appareil et de sa sécurité pendant son fonctionnement.



ATTENTION ! Informations importantes et conseils utiles pour l'utilisation de l'appareil.

Respectez les avertissements de sécurité standard, y compris les instructions et les mises en garde contenues dans ce manuel, afin d'utiliser l'appareil en toute sécurité et d'éviter tout risque potentiel d'incendie, d'électrocution ou de blessure.

L'installation et l'utilisation de l'appareil doivent être conformes aux codes électriques locaux et aux autres codes du bâtiment.

Avant d'installer et d'utiliser l'appareil, assurez-vous que la tension d'alimentation indiquée sur celui-ci correspond à la tension du circuit électrique disponible.

Après l'installation de l'appareil, veillez à ce que la prise soit libre d'accès.

L'utilisation simultanée du chauffage avec d'autres appareils électriques puissants dans le même circuit électrique peut déclencher le fusible de l'appareil ou du circuit électrique connecté.

Utilisez l'appareil dans un local bien ventilé.

Après la première utilisation du chauffage, une odeur faible et inoffensive peut apparaître. Ce phénomène est dû à la première mise en route des éléments chauffants internes et ne doit pas inquiéter ; cette odeur disparaît rapidement.

L'appareil est équipé d'une fonction de protection thermique. En cas de surchauffe, l'appareil s'éteint de lui-même pour éviter tout dommage ou risque d'incendie. Une fois que l'appareil a refroidi, il peut être remis en marche.

L'appareil est destiné uniquement à un usage domestique courant ; il ne doit pas être utilisé à des fins industrielles.

Une installation non conforme de l'appareil peut entraîner des risques importants. Si vous ne parvenez pas à raccorder l'appareil à l'alimentation électrique par vos propres moyens ou si vous avez des doutes quant à la possibilité de réparer l'appareil, faites appel à un électricien qualifié.

L'appareil ne contient aucune pièce nécessitant l'intervention de l'utilisateur.

N'exposez pas les plantes et les animaux au flux direct d'air chaud provenant de l'appareil.



AVERTISSEMENTS, qui doivent être respectés pour éviter d'endommager l'appareil.

N'utilisez pas l'appareil à l'extérieur.

Ne mettez pas l'appareil en marche immédiatement après un transport ou un stockage au froid. Avant de l'allumer, laissez-le à température ambiante pendant au moins 3 heures afin d'éviter tout dommage dû à la condensation sur les parties internes de l'appareil.

Si l'appareil en est pourvu, utilisez les poignées pour le déplacer.

Ne pas mettre en marche l'appareil dans son emballage.

Cet appareil n'est pas destiné à être utilisé dans les salles de bains, les buanderies et autres lieux intérieurs similaires. Ne placez jamais l'appareil dans un endroit où il pourrait tomber dans une baignoire ou un autre récipient contenant de l'eau.

N'installez pas ou n'utilisez pas l'appareil directement sous une prise de courant.

Ne pas faire passer le cordon d'alimentation sous la moquette. Ne recouvrez pas le cordon d'alimentation avec des tapis, des patins ou autres. Placez le cordon d'alimentation à l'écart des zones de circulation et à un endroit où l'on ne risque pas de trébucher dessus.

Branchez toujours l'appareil directement sur une prise de courant, sans utiliser de rallonge ou d'adaptateur.

Ne branchez l'appareil que sur des prises de courant correctement mises à la terre.

N'utilisez pas l'appareil avec un cordon d'alimentation torsadé.

Lors de l'utilisation de l'appareil, veillez à ce que le cordon d'alimentation n'entre pas en contact avec des surfaces chauffées.

Débranchez toujours l'appareil lorsqu'il n'est pas utilisé.

Pour déconnecter l'appareil, éteignez les commandes, puis débranchez la fiche de la prise de courant.

Ne pas utiliser l'appareil comme sèche-linge.

Ne pas placer l'appareil à proximité d'appareils de chauffage.

N'utilisez pas un appareil équipé d'une minuterie automatique ou de tout autre équipement technique qui allume/éteint automatiquement l'appareil ou un circuit électrique auquel il est connecté.



AVERTISSEMENTS, qui doivent être strictement respectés afin d'éviter toute blessure aux personnes.

N'utilisez l'appareil que de la manière décrite dans le présent manuel. Toute autre utilisation non recommandée par le fabricant peut provoquer un incendie, une électrocution ou des blessures, et entraîner l'annulation de la garantie.

Les enfants, les personnes dont les capacités physiques, sensorielles ou mentales sont réduites, ainsi que les personnes qui n'ont pas les connaissances et l'expérience nécessaires, ne sont pas autorisés à utiliser l'appareil s'ils ne sont pas sous la surveillance d'une personne responsable de leur sécurité ou s'ils n'ont pas reçu des instructions adéquates sur la manière d'utiliser l'appareil.

Ne laissez pas les enfants sans surveillance à proximité de l'appareil.

Ne laissez pas les enfants jouer avec l'appareil et les matériaux d'emballage.

Soyez particulièrement prudent lorsque vous utilisez l'appareil en présence d'enfants et de personnes handicapées, et lorsque vous le laissez fonctionner sans surveillance.

Ne pas utiliser l'appareil dans une position non sécurisée. L'appareil doit toujours être solidement fixé dans un portique de cheminée, un meuble, une niche murale, une plaque de plâtre ou un autre cadre spécialement préparé.

Ne laissez pas l'eau pénétrer dans l'appareil.

Ne mettez pas l'appareil en marche si de l'eau entre en contact avec l'une de ses parties.

Si l'appareil est tombé dans l'eau, débranchez immédiatement la fiche de la prise de courant sans toucher l'appareil ou l'eau.

Ne pas toucher l'appareil en fonctionnement avec des mains mouillées.

L'appareil chauffe pendant son fonctionnement. Pour éviter les brûlures, ne touchez pas ses surfaces chaudes.

Ne jamais couvrir l'appareil lorsqu'il est en fonctionnement.

Pour éviter la surchauffe, l'inflammation ou un éventuel incendie, n'obstruez en aucune manière les entrées d'air et l'échappement utilisés pour la ventilation de l'appareil et l'évacuation de l'air chaud de l'appareil de chauffage.

N'installez pas l'appareil sur des surfaces molles (lits, canapés, tapis, etc.) où la circulation de l'air est limitée.

N'insérez pas ou ne laissez pas des objets étrangers pénétrer dans les ouvertures de ventilation ou d'échappement.

Les matériaux combustibles, tels que les meubles, les oreillers, la literie, les papiers, les vêtements et les rideaux, doivent être placés à au moins 1 mètre de l'avant de l'appareil. Évitez de placer de tels objets derrière et de chaque côté de l'appareil.

L'appareil contient des pièces chaudes et des étincelles. N'utilisez pas l'appareil dans des endroits où de l'essence, des peintures ou des liquides inflammables sont utilisés ou stockés.

Éteignez l'appareil et laissez-le refroidir avant de le déplacer.

Lorsque vous retirez la fiche de la prise de courant, ne tirez pas sur le cordon, mais sur la fiche elle-même.

Ne pas démonter ou modifier la conception de l'appareil.

Ne pas utiliser l'appareil avec un cordon ou une fiche endommagé(e) ou si l'appareil fonctionne mal, est tombé ou a été endommagé de quelque manière que ce soit.

Si de la fumée, des étincelles ou une forte odeur de brûlé s'échappent de l'appareil, arrêtez immédiatement de l'utiliser et débranchez la fiche de la prise de courant.

Si l'appareil est cassé ou endommagé, n'essayez pas de le réparer. Contactez un centre de service pour un examen, un réglage électrique ou mécanique, ou une réparation.

INSTALLATION



AVERTISSEMENT ! Faites attention aux arêtes et aux coins tranchants de l'appareil.



AVERTISSEMENT ! Installez l'appareil à deux personnes pour éviter les blessures et les dommages.

L'appareil doit être utilisé dans un cadre de taille appropriée (portique de cheminée, meuble de rangement, niche murale, unité de placoplâtre, etc.)

Pour assurer une bonne ventilation, il faut prévoir des espaces libres d'au moins 50 mm au-dessus et derrière l'appareil, en créant une couche d'air entre l'appareil et les parties encadrantes.

Il n'est pas recommandé d'installer l'appareil à proximité de sources lumineuses intenses pour éviter de dégrader la qualité des effets du mode flamme.

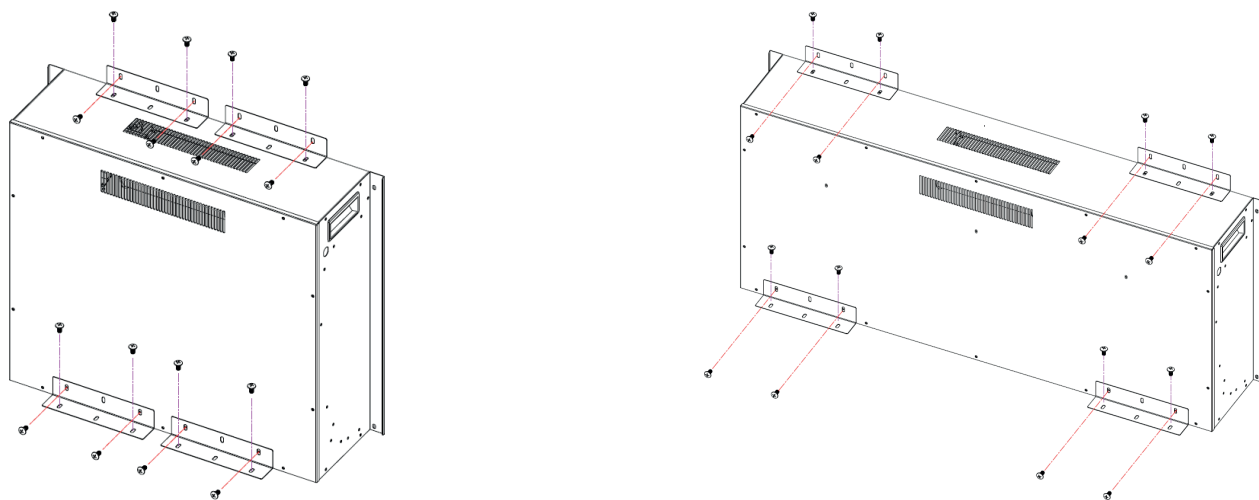
Retirez soigneusement l'appareil de son emballage. Conservez l'emballage pour l'utiliser ultérieurement et pour transporter l'appareil en toute sécurité, si nécessaire.

Avant l'installation définitive de l'appareil, effectuez un test de mise sous tension en utilisant une prise de courant appropriée.

Le dispositif doit être installé dans l'encadrement depuis l'intérieur. Placez soigneusement l'appareil à l'arrière de l'encadrement et centrez-le dans l'ouverture. N'essayez pas d'installer l'appareil par l'avant de l'encadrement – il ne s'adaptera pas.

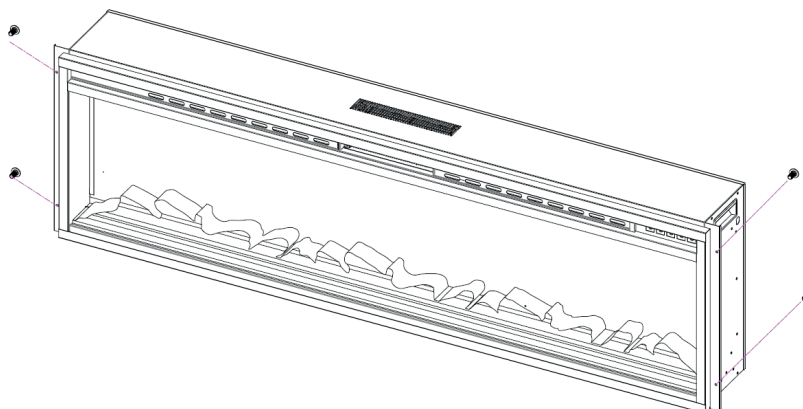
AF24 MULTICOLOR / AF38 MULTICOLOR

Vérifiez l'alignement et fixez l'appareil à l'ossature à l'aide des supports de montage et des vis, en les insérant dans les trous percés sur les supports de montage et l'appareil.



AF58 MULTICOLOR

Vérifiez l'alignement et fixez l'appareil à l'ossature à l'aide de vis, en les insérant dans les trous percés sur les garnitures de montage.



Pour garantir la sécurité, l'appareil doit être solidement monté et fixé dans le cadre de manière à ce qu'il ne puisse pas bouger pendant son utilisation.

CONTRÔLE DES APPAREILS

Pour faire fonctionner l'appareil, il est possible d'utiliser à la fois le panneau de commande et la télécommande.

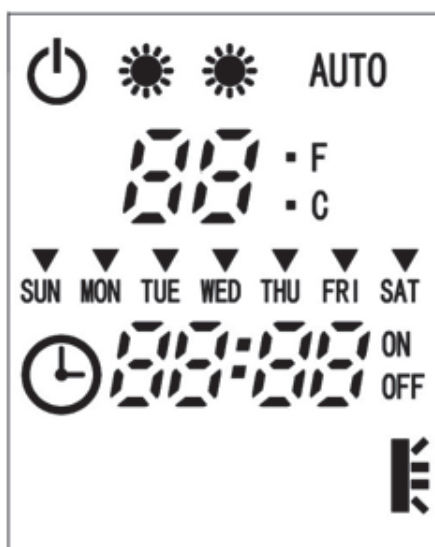
L'appareil dispose d'un mode chauffage et d'un mode flamme.

Remarque :

L'appareil n'est pas conçu pour être utilisé uniquement comme chauffage, sans flamme.

Affichage numérique et indicateur de fonction

L'affichage numérique et l'indicateur de fonction donnent des informations sur les réglages sélectionnés.



Panneau de contrôle

Le panneau de contrôle est situé dans le coin supérieur droit de la face avant de l'appareil. Éléments du panneau de contrôle :

- bouton d'alimentation principal (1),
- bouton de couleur de la flamme principale (2),
- bouton de couleur de la flamme du bois de chauffage (3),
- bouton de chauffage (4),
- bouton de la minuterie (5).



Bouton d'alimentation principal (1)

Appuyez sur le bouton principal d'alimentation pour allumer et éteindre l'appareil. Appuyez une fois sur le bouton d'alimentation principale pour allumer l'appareil. Appuyez à nouveau sur le bouton d'alimentation principale pour éteindre l'appareil.

Contrôle de la couleur de la flamme principale (2)



Appuyez sur le bouton (2) pour régler la couleur de la flamme principale : F1 (mélange orange et bleu) – F2 (orange) – F3 (bleu) – F4 (cycle / changement automatique en douceur de la couleur de la flamme principale).

Contrôle de la couleur de la flamme du bois de chauffage (3)

Appuyez sur le bouton (3) pour régler la couleur de la flamme du bois de chauffage : L1 (orange) – L2 (bleu) – L3 (rose) – L4 (cycle avec jaune supplémentaire / changement automatique en douceur de la couleur de la flamme du bois de chauffage).

Commande du chauffage (4)

Le chauffage est activé et désactivé à l'aide du bouton de chauffage.

Appuyer sur le bouton de chauffage	État du chauffage	Valeur de l'affichage numérique
Première pression	Chauffage éteint	00
Deuxième pression	Chauffage continu à faible puissance – 900 W	Lo 
Troisième pression	Chauffage continu à haute puissance – 1800 W	Hi 
Quatrième pression	Chauffage éteint	00

Pour entrer ou sortir du mode de réglage de la température, appuyez sur la touche de chauffage pendant 3 secondes lorsque le chauffage est allumé. Utilisez la touche de chauffage pour régler la température ambiante souhaitée de 17 °C à 27 °C en Celsius (de 62 °F à 82 °F en Fahrenheit) ou "oN" pour un chauffage continu. Le niveau de puissance (faible / élevé) dépend du mode de puissance de chauffage sélectionné lors de la mise en marche de l'appareil. Lorsque le chauffage fonctionne à la température sélectionnée, l'écran numérique affiche "AUTO". Le chauffage s'éteint automatiquement lorsque la température de la pièce atteint le point de consigne et se rallume automatiquement lorsque la température de la pièce descend en dessous du point de consigne. Veillez à ce que la température de consigne du chauffage soit supérieure à la température ambiante, sinon le chauffage ne peut pas s'allumer ou peut fonctionner de manière incorrecte.

Pour changer l'échelle de température entre Celsius (C) et Fahrenheit (F), appuyez sur le bouton de couleur de la flamme principale (2) et maintenez-le enfoncé pendant 3 secondes lorsque le chauffage est allumé.

L'appareil est doté d'une fonction de détection de fenêtre ouverte. Si la température intérieure chute de 3 degrés en dessous de la valeur réglée dans les 5 minutes, l'appareil cesse de fournir de la chaleur, l'avertisseur sonore retentit 5 fois et l'écran numérique s'affiche :



Remarque :

Une fois le chauffage éteint, le ventilateur du chauffage peut fonctionner pendant un certain temps pour refroidir les parties internes de l'appareil.

Fonction minuterie (5)

L'appareil est équipé d'une minuterie d'arrêt automatique avec des intervalles de temps de 30 minutes à 9 heures. Appuyez successivement sur le bouton de la minuterie pour sélectionner un intervalle de temps de 30 minutes à 9 heures : 30 – 1H – 2H – 3H – 4H – 5H – 6H – 7H – 8H – 9H. Lorsque la minuterie est activée, l'affichage numérique indique :



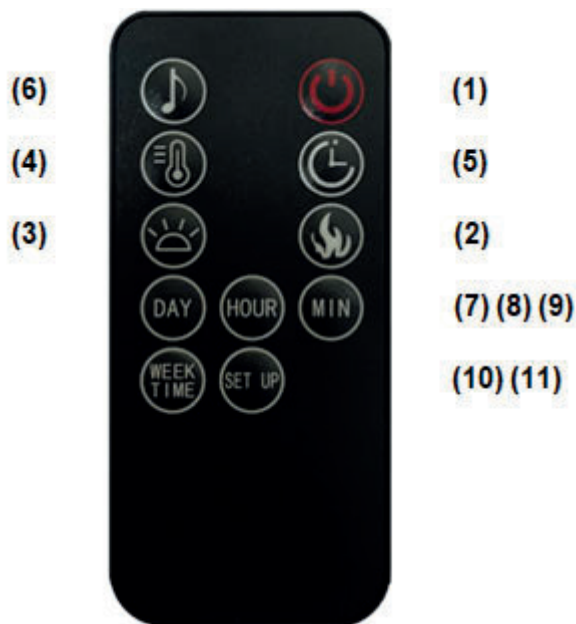
Télécommande

Les boutons de la télécommande fonctionnent de la même manière que les boutons du panneau avant de l'appareil. Consultez la section Contrôle de l'appareil pour plus d'informations sur la fonctionnalité de ces boutons.

Éléments de commande à distance :

- bouton d'alimentation principal (1),
- bouton de couleur de la flamme principale (2),
- bouton de couleur de la flamme du bois de chauffage (3),

- bouton de chauffage (4),
- bouton de la minuterie (5),
- bouton du son de la combustion du bois (6),
- boutons de l'horloge et de la minuterie hebdomadaire (7, 8, 9, 10, 11).



Fonction du son de la combustion du bois (6)

Appuyez sur la touche (6) de la télécommande pour activer/désactiver le son de la combustion du bois. L'écran numérique affiche "51" lorsque le son de la combustion du bois est activé et "50" lorsque le son de la combustion du bois est désactivé.

Fonction horloge (7, 8, 9)

Appuyez sur la touche (7) de la télécommande pour régler le jour de la semaine, et utilisez les touches (8) pour les heures et (9) pour les minutes pour régler l'heure.

Le jour de la semaine et l'heure s'affichent sur l'écran numérique lorsqu'il est activé.

Lorsque l'appareil est débranché, les réglages de l'horloge sont réinitialisés.

Fonction de minuterie hebdomadaire (8, 9, 10, 11)

La fonction de minuterie hebdomadaire permet de régler le chauffage pour qu'il s'allume ou s'éteigne automatiquement pendant un intervalle de temps prédéfini par jour sur un cycle hebdomadaire (MON – TUE – WED – THU – FRI – SAT – SUN) dans les limites des paramètres de chauffage qui ont été réglés manuellement en dernier lieu.

Appuyez sur la touche (10) de la télécommande pour activer la fonction de minuterie hebdomadaire. Utilisez les touches (8) pour les heures et (9) pour les minutes pour régler l'heure de mise en marche du chauffage le lundi. Appuyez sur la touche (11) pour passer au réglage de l'heure d'arrêt du chauffage le lundi. Utilisez les touches (8) pour les heures et (9) pour les minutes pour régler l'heure d'arrêt du chauffage le lundi. Appuyez sur la touche (10) pour continuer à régler l'heure d'allumage et d'extinction du chauffage pour le jour suivant.

Procédez de la même manière pour régler les intervalles de temps pour les autres jours.

Si vous cessez d'appuyer sur les touches de la fonction de minuterie hebdomadaire pendant plus de 3 secondes, vous quitterez la fonction de minuterie hebdomadaire et confirmerez le réglage précédent.

Pour revoir les réglages de la minuterie hebdomadaire, appuyez successivement sur la touche (10) pour voir l'heure de mise en marche pour chaque jour ; utilisez la touche (11) pour voir l'heure de mise à l'arrêt ; pour modifier les réglages de la minuterie hebdomadaire, utilisez les touches (8) pour les heures et (9) pour les minutes.

Pour désactiver le programmateur hebdomadaire pour un jour spécifique de la semaine, réglez 00:00 pour les heures d'allumage et d'extinction du chauffage.

Pour désactiver manuellement la minuterie hebdomadaire, débranchez l'appareil de la prise murale et remettez-le en marche.

Pour améliorer le fonctionnement de la télécommande, orientez-la vers l'avant de l'appareil. Évitez d'exposer l'émetteur infrarouge du panneau de commande à la lumière directe du soleil.

N'appuyez pas trop fort ou trop souvent sur les touches de la télécommande. Attendez un peu avant que l'appareil n'exécute une commande.

Manipulez la télécommande avec précaution. Ne la laissez pas tomber, ne marchez pas dessus et veillez à ce que la télécommande ne soit pas mouillée.

La pile est fournie avec la télécommande. Le code de la pile est CR2025 3V.

La première chose à faire avec la télécommande est de retirer la feuille de plastique isolant la pile.

Lors de l'insertion de la pile, veillez à ce que sa polarité corresponde aux indications figurant à l'intérieur du compartiment de la pile de la télécommande.

Retirez la pile de la télécommande si vous ne l'utilisez pas pendant une longue période.

Remplacez la pile de la télécommande à temps.

Essayez de ne pas utiliser de piles rechargeables.

ENTRETIEN ET MAINTENANCE



ATTENTION ! Débranchez toujours l'alimentation électrique avant de nettoyer l'appareil. Commencez par couper l'alimentation principale. Retirez ensuite la fiche électrique de la prise murale.



ATTENTION ! N'utilisez pas l'appareil si l'une de ses parties a été immergée. Appelez immédiatement un technicien qualifié pour inspecter l'appareil.



AVERTISSEMENT ! Avant de nettoyer l'appareil, assurez-vous qu'il a complètement refroidi.

Le moteur du ventilateur de l'appareil de chauffage et le moteur de la flamme sont pré-lubrifiés pour une durée d'utilisation prolongée et ne nécessitent aucune lubrification ou maintenance supplémentaire.

Pour éliminer toute accumulation de poussière, de peluches et d'insectes, il convient d'utiliser de temps en temps la brosse douce d'un aspirateur pour nettoyer la grille de sortie du ventilo-convecteur.

Pour dépeussier, utilisez un chiffon doux et propre qui ne raye pas la surface.

Utilisez un chiffon doux et propre imbibé d'eau chaude pour nettoyer la surface de l'appareil. N'utilisez pas de nettoyeurs ménagers ou abrasifs, car ces produits risquent d'endommager la surface.

Pour nettoyer la vitre de l'appareil, utilisez un chiffon non abrasif et humide (pas mouillé) et, si nécessaire, un nettoyant liquide ou du savon liquide. N'utilisez pas de poudres à récurer ou d'autres produits contenant des substances abrasives, car ils risquent de rayer le panneau en verre de l'appareil.

L'appareil ne doit en aucun cas être utilisé avec une vitre cassée ou ébréchée.

Ne pas heurter ou faire tomber le panneau en verre de l'appareil.

Avant de connecter l'appareil à l'alimentation électrique, assurez-vous qu'il est complètement sec.

Lorsque l'appareil n'est pas utilisé, débranchez le cordon d'alimentation de la prise de courant afin d'éviter d'endommager l'appareil ou de débrancher accidentellement le cordon d'alimentation.

ÉLIMINATION



Les matériaux d'emballage de l'appareil sont recyclables et réutilisables. Veuillez ne pas jeter les matériaux d'emballage avec les ordures ménagères, mais les remettre à un site de collecte approprié en vue de leur recyclage.



L'appareil doit être mis au rebut à l'issue de sa durée de vie. L'appareil contient des matériaux précieux qui peuvent être recyclés. Veuillez ne pas jeter l'appareil avec les ordures ménagères, mais le remettre à un site de collecte approprié pour les vieux équipements électriques.

Ne jetez pas les piles usagées de la télécommande avec les ordures ménagères, mais remettez-les au centre de collecte des piles usagées.

DÉPANNAGE

Problème	Solution
L'appareil ne s'allume pas.	Vérifiez que l'appareil est connecté à l'alimentation électrique. Appuyez sur le bouton d'alimentation principal du panneau de commande.
L'interrupteur principal s'allume, mais il n'y a pas d'effet de flamme.	Ouvrez le panneau arrière pour vérifier que la broche de la flamme n'est pas tombée du moteur de la broche.
Lors du chauffage, l'air chaud n'est pas fourni.	Assurez-vous que la température de consigne du chauffage est supérieure à la température ambiante. Appuyez plusieurs fois sur la touche "on/off" du chauffage pour vous assurer que le chauffage est en marche.
Le chauffage ne fonctionne pas.	Éteignez tous les modes de fonctionnement et débranchez l'appareil de la prise murale pendant 5 minutes. Au bout de 5 minutes, rebranchez l'appareil à la prise murale et utilisez-le normalement.
L'écran du panneau de contrôle affiche l'erreur "E1".	Éteignez tous les modes de fonctionnement et débranchez l'appareil de la prise murale pendant 5 minutes. Au bout de 5 minutes, rebranchez l'appareil à la prise murale et utilisez-le normalement.
La télécommande ne fonctionne pas.	Retirer la feuille de plastique isolant la pile. / Rapprocher la télécommande de l'appareil. / Remplacer la pile de la télécommande.

DÉCLARATION DE CONFORMITÉ



Cet appareil est conforme aux directives européennes suivantes : 2014/35/EU (LVD), 2014/30/EU (EMC), 2009/125/EC (ERP), 2011/65/EU (RoHS).

FICHE D'INFORMATION SUR LE PRODUIT

Identifiant(s) de modèle : AF24 MULTICOLOR, AF38 MULTICOLOR, AF58 MULTICOLOR					
Objet	Symbole	Valeur	Unité	Objet	Unité
Puissance calorifique				Type d'apport de chaleur, uniquement pour les chauffages locaux électriques à accumulation	
Puissance calorifique nominale	P_{nom}	1,8	kW	contrôle manuel de la charge de chaleur avec thermostat intégré	N/A
Puissance calorifique minimale (indicative)	P_{min}	0,9	kW	régulation manuelle de la charge de chaleur avec retour d'information sur la température ambiante et/ou extérieure	N/A
Puissance calorifique maximale continue	$P_{max,c}$	1,8	kW	régulation électronique de la charge thermique avec retour d'information sur la température ambiante et/ou extérieure	N/A
Consommation d'électricité auxiliaire				puissance de chauffage assistée par ventilateur	
Au débit calorifique nominal	eI_{max}	N/A	kW	Type de chauffage/régulation de la température de la pièce	
Au débit calorifique minimum	eI_{min}	N/A	kW	production de chaleur en une seule étape et pas de contrôle de la température ambiante	[non]
En mode veille	eI_{sb}	0,7	W	deux ou plusieurs étapes manuelles, pas de contrôle de la température ambiante	[non]
				avec thermostat mécanique régulation de la température ambiante	[non]
				avec contrôle électronique de la température ambiante	[non]
				contrôle électronique de la température ambiante et minuterie journalière	[non]
				avec contrôle électronique de la température ambiante et minuterie hebdomadaire	[oui]
Autres options de contrôle					
				contrôle de la température ambiante, avec détection de présence	[non]
				contrôle de la température ambiante, avec détection des fenêtres ouvertes	[oui]
				avec option de contrôle de la distance	[non]
				avec contrôle adaptatif du démarrage	[non]
				avec limitation du temps de travail	[non]
				avec capteur à ampoule noire	[non]
Coordonnées de la personne à contacter	ARTIFLAME Sp. z o.o., Grabie 37, 32-002 Węgrzce Wielkie, Pologne				

OBLIGATIONS DE GARANTIE

ATTENTION : Lors de l'achat ou de la réception d'un produit, vérifiez qu'il s'agit bien d'un kit de livraison, qu'il est en bon état de fonctionnement et non endommagé et qu'il existe un mode d'emploi.

Conditions du service de garantie

La période de garantie du produit est de deux ans après la vente ou la réception, s'il existe un document commercial, financier ou de transport confirmant la date de vente ou de réception du produit. Le client a droit à une garantie de réparation du produit pendant la période de garantie, si le produit est défectueux en raison d'un défaut de matériel ou de fabrication. La période de garantie susmentionnée ne s'applique qu'aux produits utilisés à des fins personnelles, familiales ou domestiques, sans lien avec des activités commerciales.

L'acheteur perd le droit à la réparation sous garantie en cas de :

- Violation des instructions d'installation et d'utilisation fournies dans le manuel de l'utilisateur.
- Utilisation du produit non conforme à sa destination.
- Mauvaise connexion du produit à l'alimentation électrique.
- Si les dysfonctionnements du produit sont dus à un stockage inadéquat ou à des dommages mécaniques pendant le transport ou l'utilisation.
- Si le produit est fortement contaminé à l'intérieur et à l'extérieur, ou s'il est rouillé.
- Si le produit présente des signes d'ouverture/réparation non autorisée ou a été soumis à des changements de conception ou à des modifications.
- Si l'utilisation du produit s'est poursuivie après l'apparition du dysfonctionnement et n'a pas été interrompue.
- Si des objets étrangers, des liquides, des substances ou des insectes se trouvent à l'intérieur du produit.
- Si l'étiquette a été retirée du produit.
- L'usure normale des pièces du produit due à une utilisation excessive. L'usure uniforme des pièces en l'absence de défauts d'usine ne donne pas droit à leur remplacement dans le cadre de la garantie.
- Les dommages causés par des catastrophes naturelles (incendie, inondation, etc.) ou des facteurs domestiques (surcharge de tension, chute de tension, panne de courant, etc.)

La garantie ne couvre pas les lampes.

Pour toute question concernant le service de garantie dans l'UE, veuillez contacter le centre de service agréé :
+48 12 333 60 74, sklep@artiflame.pl.

Veuillez compléter le formulaire ci-dessous en lettres capitales et nous le renvoyer avec le produit endommagé :

Prénom, Nom : _____

Adresse : _____

Code postal, lieu de résidence : _____

Date, Signature : _____

Modèle : _____

Motif de la demande : _____

ITALIANO

Nota:

Questo prodotto è adatto solo per spazi ben isolati o per un uso occasionale.

INDICE DEI CONTENUTI

Informazioni generali
Set di consegna
Specifiche
Informazioni sulla sicurezza
Installazione
Controllo del dispositivo
Cura e manutenzione
Smaltimento
Risoluzione dei problemi
Dichiarazione di conformità
Scheda informativa del prodotto
Obblighi di garanzia

INFORMAZIONI GENERALI

Gentile cliente,

Grazie per aver scelto il caminetto elettrico ArtiFlame, un dispositivo elettrico per uso domestico progettato per riscaldare una stanza con la funzione di imitazione della fiamma.

La conformità agli standard di qualità, la funzionalità e il design di questo dispositivo ne garantiscono l'affidabilità e la praticità d'uso.

Con un'installazione e un utilizzo corretti, il dispositivo potrà essere utilizzato per molti anni.

Il dispositivo può essere montato in un portale del camino, in un mobile, in una nicchia a muro, in un'unità in cartongesso o in un'altra struttura appositamente predisposta.

Leggere attentamente il manuale d'uso prima di installare e utilizzare il dispositivo per la prima volta.

Conservare questo manuale d'uso in un luogo accessibile per tutta la durata del dispositivo o per il prossimo proprietario.

Note:

In questo manuale, il inserto per camino elettrico da incasso con riscaldatore può avere i seguenti nomi: dispositivo, apparecchiatura, articolo, prodotto, riscaldatore, camino elettrico, caminetto, ecc.

Per migliorare il dispositivo, il produttore si riserva il diritto di modificare l'aspetto, la costruzione, il set di fornitura e le specifiche del dispositivo senza preavviso.

Nel testo, nelle denominazioni digitali e nelle immagini possono verificarsi errori tecnici e tipografici.

SET DI CONSEGNA

Inserto per camino elettrico da incasso con riscaldatore – 1 pz.

Telecomando – 1 pz.

Manuale d'uso con sezione dedicata agli obblighi di garanzia – 1 pz.

AF24 MULTICOLOR / AF38 MULTICOLOR

AF58 MULTICOLOR

Staffe di montaggio – 4 pz.

Viti – 4 pz.

Viti – 16 pz.

SPECIFICHE

Superficie riscaldabile: fino a 30 m²

Tensione nominale: 220-240 V

Frequenza nominale: 50 Hz

Potenza nominale: 900 / 1800 W

Protezione contro le scosse elettriche: classe I

Data di produzione: vedi etichetta del dispositivo

Vita utile: illimitata

AF24 MULTICOLOR

Diagonale del focolare: 24 pollici

Peso netto: 11 kg

Dimensioni del prodotto (larghezza x altezza x profondità), mm: 612 x 500 x 190

Dimensioni dell'apertura (larghezza x altezza), mm: 585 x 480

AF38 MULTICOLOR

Diagonale del focolare: 38 pollici

Peso netto: 15,5 kg

Dimensioni del prodotto (larghezza x altezza x profondità), mm: 993 x 414 x 190

Dimensioni dell'apertura (larghezza x altezza), mm: 966 x 395

AF58 MULTICOLOR

Diagonale del focolare: 58 pollici

Peso netto: 24,8 kg

Dimensioni del prodotto (larghezza x altezza x profondità), mm: 1482 x 425 x 190

Dimensioni dell'apertura (larghezza x altezza), mm: 1440 x 414

Attenzione! Quando si utilizza il dispositivo in una stanza con un basso livello di rumore di fondo, è possibile sentire il suono del meccanismo che assicura il funzionamento della fiamma. Questo è normale e non deve destare preoccupazione.

INFORMAZIONI SULLA SICUREZZA

L'utente è pienamente responsabile dell'installazione qualificata del dispositivo e della sua sicurezza durante il funzionamento.



ATTENZIONE! Informazioni importanti e consigli utili per l'utilizzo del dispositivo.

Seguire le avvertenze di sicurezza standard, comprese le istruzioni e le avvertenze contenute in questo manuale, per utilizzare il dispositivo in modo sicuro ed evitare il rischio potenziale di incendi, scosse elettriche o lesioni alle persone.

Installare e utilizzare il dispositivo in conformità alle norme elettriche locali e alle altre norme edilizie.

Prima di installare e utilizzare il dispositivo, accertarsi che la tensione di alimentazione indicata sul dispositivo corrisponda alla tensione del circuito elettrico disponibile.

Dopo l'installazione del dispositivo, assicurarsi che l'accesso alla spina sia libero.

L'uso contemporaneo del riscaldatore con altri dispositivi elettrici potenti nello stesso circuito elettrico può attivare il fusibile del dispositivo o del circuito elettrico collegato.

Utilizzare il dispositivo in un ambiente ben ventilato.

Dopo il primo utilizzo del riscaldatore, può comparire un odore debole e innocuo. Questo è dovuto al primo avvio delle parti interne del riscaldamento e non deve destare preoccupazione; l'odore passerà rapidamente.

Il dispositivo è dotato di una funzione di protezione termica. In caso di surriscaldamento, il dispositivo si spegne da solo per evitare danni o il rischio di incendio. Una volta raffreddato, il dispositivo può essere riacceso.

Il dispositivo è destinato esclusivamente a un uso domestico comune; non deve essere utilizzato per scopi industriali.

L'installazione non a regola d'arte del dispositivo può causare rischi significativi. Se non si riesce a collegare il dispositivo all'alimentazione elettrica da soli o se ci sono dubbi sulla possibilità di manutenzione del dispositivo, rivolgersi a un elettricista qualificato.

Il dispositivo non contiene parti che richiedono la manutenzione da parte dell'utente.

Non esporre piante e animali al flusso diretto di aria calda proveniente dal dispositivo.



AVVERTENZE, che devono essere rispettate per evitare danni al dispositivo.

Non utilizzare il dispositivo all'aperto.

Non accendere l'apparecchio subito dopo il trasporto o la conservazione al freddo. Prima di accenderlo, tenerlo a temperatura ambiente per almeno 3 ore per evitare danni dovuti alla condensa sulle parti interne del dispositivo.

Se previsto, utilizzare le maniglie per spostare il dispositivo.

Non accendere il dispositivo nella sua confezione.

Questo dispositivo non è destinato all'uso in bagni, lavanderie e luoghi interni simili. Non collocare mai il dispositivo in un punto in cui possa cadere in una vasca da bagno o in un altro contenitore d'acqua.

Non installare o utilizzare il dispositivo direttamente sotto una presa di corrente.

Non far passare il cavo di alimentazione sotto la moquette. Non coprite il cavo di alimentazione con tappeti, strisce o simili. Sistemare il cavo di alimentazione lontano dalle zone di traffico e dove non si possa inciampare.

Collegare sempre il dispositivo direttamente alla presa di corrente senza utilizzare prolunghe o adattatori.

Collegare il dispositivo solo a prese di corrente adeguatamente messe a terra.

Non utilizzare il dispositivo con un cavo di alimentazione attorcigliato.

Quando si utilizza il dispositivo, assicurarsi che il cavo di alimentazione non tocchi superfici riscaldate.

Scollegare sempre il dispositivo quando non viene utilizzato.

Per scollegare il dispositivo, spegnere i comandi, quindi rimuovere la spina dalla presa.

Non utilizzare l'apparecchio come asciugatrice.

Non collocare il dispositivo in prossimità di apparecchi di riscaldamento.

Non utilizzare un dispositivo con timer automatico o qualsiasi altra apparecchiatura tecnica che accenda/spenga automaticamente il dispositivo o il circuito elettrico a cui è collegato.



AVVERTENZE, che devono essere rigorosamente osservate per evitare danni alle persone.

Utilizzare il dispositivo solo come descritto nel presente manuale. Qualsiasi altro uso non raccomandato dal produttore può provocare incendi, scosse elettriche o lesioni alle persone, nonché l'interruzione della garanzia.

I bambini, le persone con ridotte capacità fisiche, sensoriali o mentali, nonché le persone prive di conoscenze ed esperienze adeguate, non possono utilizzare il dispositivo se non sotto la supervisione di una persona responsabile della loro sicurezza o se non sono stati istruiti correttamente sull'uso del dispositivo.

Non lasciare i bambini incustoditi vicino al dispositivo operativo.

Non permettere ai bambini di giocare con il dispositivo e i materiali di imballaggio.

Prestare particolare attenzione quando si utilizza il dispositivo in presenza di bambini e persone con disabilità e quando lo si lascia in funzione e incustodito.

Non utilizzare il dispositivo in una posizione non sicura. L'apparecchio deve essere sempre fissato saldamente in un portale per caminetto, in un mobile, in una nicchia a muro, in un mobile in cartongesso o in un'altra intelaiatura appositamente predisposta.

Non lasciare che l'acqua penetri nel dispositivo.

Non accendere il dispositivo in caso di infiltrazioni d'acqua.

Se il dispositivo è caduto in acqua, rimuovere immediatamente la spina dalla presa di corrente senza toccare il dispositivo o l'acqua.

Non toccare il dispositivo in funzione con le mani bagnate.

Il dispositivo si riscalda durante il funzionamento. Per evitare ustioni, non toccare le superfici calde.

Non coprire mai il dispositivo quando è in funzione.

Per evitare il surriscaldamento, l'accensione o un possibile incendio, non bloccare in alcun modo le prese d'aria e lo scarico utilizzati per la ventilazione dell'apparecchio e la fuoriuscita dell'aria calda dal riscaldatore.

Non installare il dispositivo su superfici morbide (letti, divani, tappeti, ecc.) con circolazione d'aria limitata.

Non inserire o lasciare che oggetti estranei entrino nelle aperture di ventilazione o di scarico.

Tenere i materiali combustibili, come mobili, cuscini, lenzuola, carte, vestiti e tende, ad almeno 1 metro dalla parte anteriore del riscaldatore. Evitare di collocare tali oggetti dietro e ai lati dell'apparecchio.

Il dispositivo è dotato di parti calde e scintillanti. Non utilizzare il dispositivo in aree in cui vengono utilizzati o conservati benzina, vernici o liquidi infiammabili.

Spegnere il dispositivo e lasciarlo raffreddare prima di spostarlo.

Quando si toglie la spina dalla presa di corrente, non tirare il cavo, ma la spina stessa.

Non smontare o modificare il design del dispositivo.

Non utilizzare il dispositivo con un cavo o una spina danneggiati o dopo che il dispositivo si è guastato o è caduto o è stato danneggiato in qualsiasi modo.

Se dal dispositivo provengono fumo, scintille o un forte odore di isolante bruciato, interrompere immediatamente l'uso e staccare la spina dalla presa di corrente.

Se il dispositivo è rotto o danneggiato, non cercare di ripararlo. Rivolgersi a un centro di assistenza per l'esame, la regolazione elettrica o meccanica o la riparazione.

INSTALLAZIONE



ATTENZIONE! Fare attenzione ai bordi e agli angoli taglienti del dispositivo.



ATTENZIONE! Installare il dispositivo con due persone per evitare lesioni e danni.

Il dispositivo deve essere utilizzato in un'intelaiatura di dimensioni adeguate (portale del caminetto, mobile dell'armadio, nicchia a muro, unità in cartongesso, ecc.)

Per garantire un'adeguata ventilazione, è necessario lasciare uno spazio libero di almeno 50 mm sopra e dietro l'apparecchio, creando uno strato d'aria tra l'apparecchio stesso e le parti di intelaiatura.

Si sconsiglia di installare il dispositivo in prossimità di forti sorgenti luminose per evitare di degradare la qualità degli effetti della modalità fiamma.

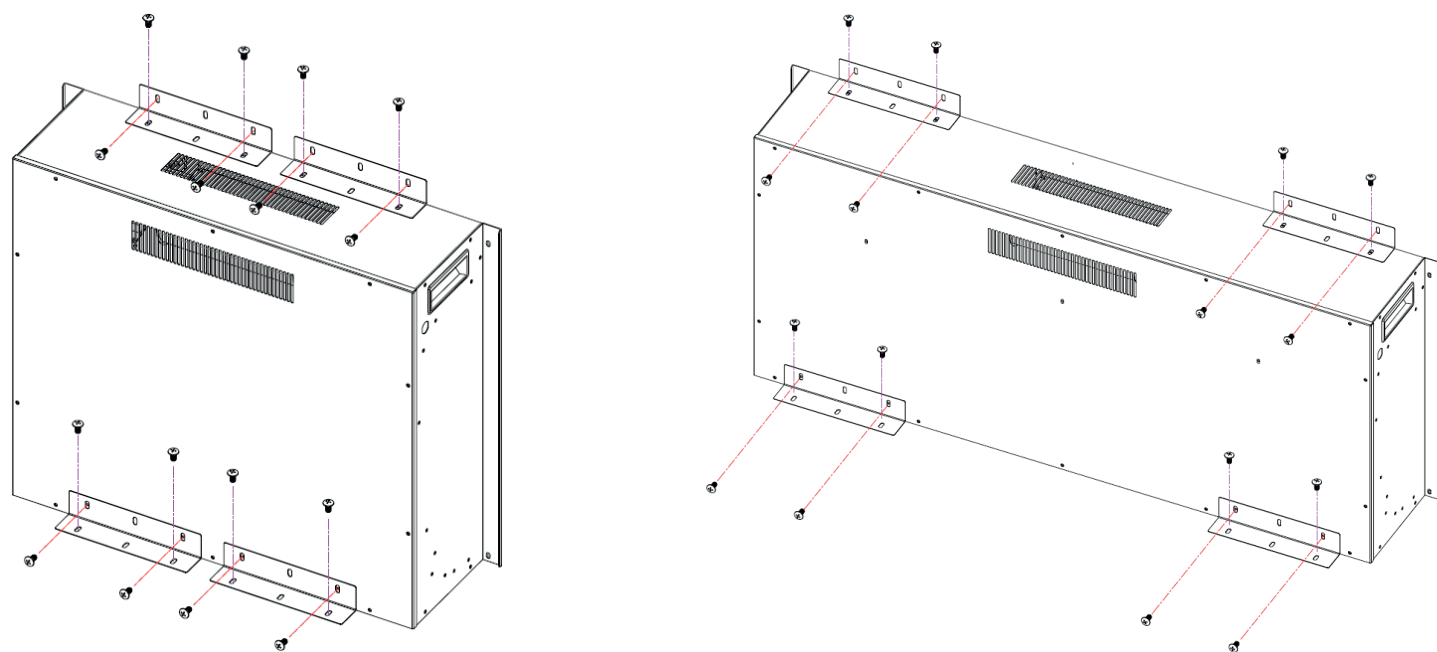
Rimuovere con cura il dispositivo dall'imballaggio. Conservare l'imballaggio per utilizzarlo in futuro per il trasporto sicuro del dispositivo, se necessario.

Prima dell'installazione definitiva del dispositivo, eseguire un'accensione di prova utilizzando una presa di corrente adeguata.

Il dispositivo deve essere installato nell'intelaiatura dall'interno. Inserire con cautela il dispositivo nella parte posteriore dell'intelaiatura e centrarlo nell'apertura. Non tentare di installare il dispositivo dalla parte anteriore dell'intelaiatura: non entrerebbe.

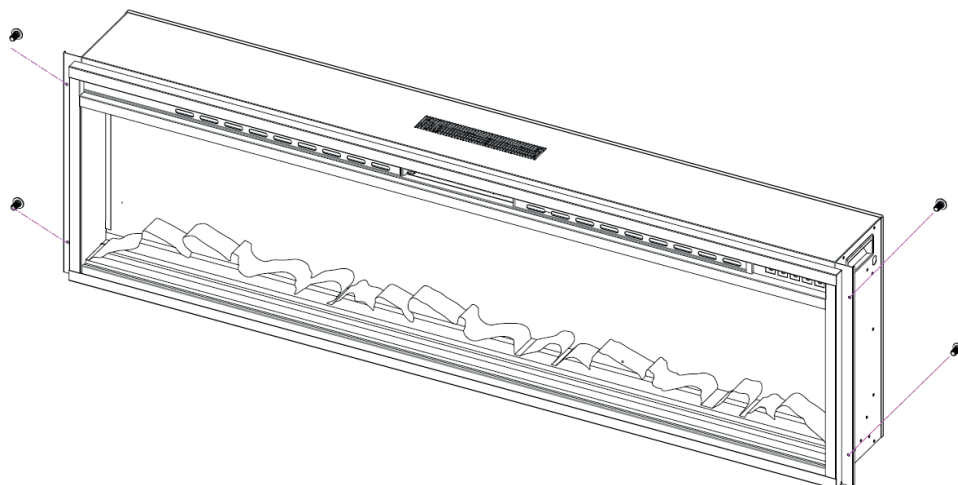
AF24 MULTICOLOR / AF38 MULTICOLOR

Controllare l'allineamento e fissare il dispositivo all'intelaiatura utilizzando le staffe di montaggio e le viti, inserendole attraverso i fori praticati sulle staffe di montaggio e sul dispositivo.



AF58 MULTICOLOR

Controllare l'allineamento e fissare il dispositivo al telaio con le viti, inserendole attraverso i fori praticati sulle finiture di montaggio.



Per garantire la sicurezza, il dispositivo deve essere montato e fissato saldamente nell'intelaiatura in modo che non possa muoversi durante l'uso.

CONTROLLO DEL DISPOSITIVO

Per il funzionamento del dispositivo è possibile utilizzare sia il pannello di controllo che il telecomando.

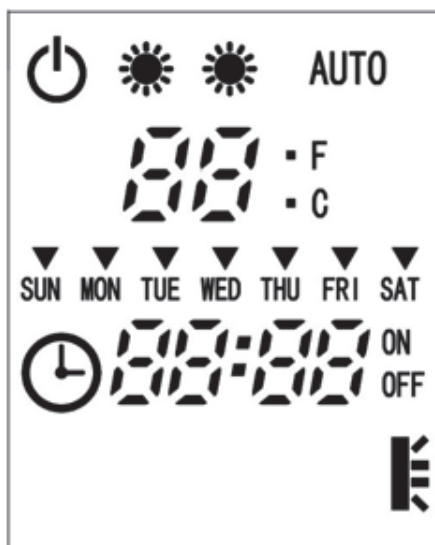
Il dispositivo dispone di modalità di riscaldamento e di fiamma.

Nota:

Il dispositivo non è progettato per essere utilizzato solo come riscaldatore, senza fiamma.

Display digitale e indicatore di funzione

Il display digitale e l'indicatore di funzionamento mostrano le informazioni sulle impostazioni selezionate.



Pannello di controllo

Il pannello di controllo si trova nell'angolo superiore destro del pannello frontale del dispositivo. Elementi del pannello di controllo:

- pulsante di alimentazione principale (1),
- pulsante colore fiamma principale (2),
- pulsante del colore della fiamma della legna da ardere (3),
- pulsante del riscaldatore (4),
- pulsante del timer (5).



Pulsante di alimentazione principale (1)

Premere il pulsante di alimentazione principale per accendere e spegnere il dispositivo. Premere una volta il pulsante di alimentazione principale per accendere il dispositivo. Premere nuovamente il pulsante di alimentazione principale per spegnere il dispositivo.

Controllo del colore della fiamma principale (2)



Premere il pulsante (2) per impostare il colore della fiamma principale: F1 (miscela arancione e blu) – F2 (arancione) – F3 (blu) – F4 (ciclo / cambio automatico regolare del colore della fiamma principale).

Controllo del colore della fiamma della legna da ardere (3)

Premere il pulsante (3) per impostare il colore della fiamma della legna da ardere: L1 (arancione) – L2 (blu) – L3 (rosa) – L4 (ciclo con aggiunta di giallo / cambio automatico regolare del colore della fiamma della legna).

Comando del riscaldatore (4)

L'accensione e lo spegnimento del riscaldatore avvengono tramite il pulsante del riscaldatore.

Pressione del pulsante del riscaldatore	Condizione del riscaldatore	Valore del display digitale
Prima pressione	Riscaldatore spento	00
Seconda pressione	Riscaldamento continuo a bassa potenza – 900 W	Lo 
Terza pressione	Riscaldamento continuo ad alta potenza – 1800 W	HI 
Quarta pressione	Riscaldatore spento	00

Per entrare o uscire dalla modalità di regolazione della temperatura, tenere premuto il pulsante del riscaldatore per 3 secondi quando il riscaldatore è acceso. Utilizzare il pulsante del riscaldatore per impostare la temperatura ambiente desiderata da 17 °C a 27 °C in gradi Celsius (da 62 °F a 82 °F in gradi Fahrenheit) o "oN" per il riscaldamento continuo. Il livello di potenza (Basso / Alto) dipende dalla modalità di potenza di riscaldamento selezionata all'accensione del riscaldatore. Quando il riscaldatore funziona alla temperatura di riscaldamento selezionata, il display digitale visualizza "AUTO". Il riscaldatore si spegne automaticamente quando la temperatura ambiente raggiunge il valore impostato e si accende automaticamente quando la temperatura ambiente scende al di sotto del valore impostato. Assicurarsi che la temperatura impostata del riscaldatore sia superiore alla temperatura ambiente; in caso contrario, il riscaldatore non può accendersi o può funzionare in modo errato.

Per cambiare la scala della temperatura tra Celsius (C) e Fahrenheit (F), tenere premuto il pulsante del colore della fiamma principale (2) per 3 secondi quando il riscaldatore è acceso.

Il dispositivo è dotato di una funzione di rilevamento della finestra aperta. Se la temperatura interna scende di 3 gradi al di sotto del valore impostato entro 5 minuti, il dispositivo smetterà di fornire calore, il cicalino suonerà 5 volte e il display digitale visualizzerà:



Nota:

Dopo lo spegnimento del riscaldatore, la ventola può funzionare per qualche tempo per raffreddare le parti interne del dispositivo.

Funzione timer (5)

L'apparecchio è dotato di un timer di autospegnimento con intervalli di tempo da 30 minuti a 9 ore. Premere in sequenza il pulsante del timer per selezionare un intervallo di tempo compreso tra 30 minuti e 9 ore: 30 – 1H – 2H – 3H – 4H – 5H – 6H – 7H – 8H – 9H. Quando il timer è attivato, il display digitale visualizza:



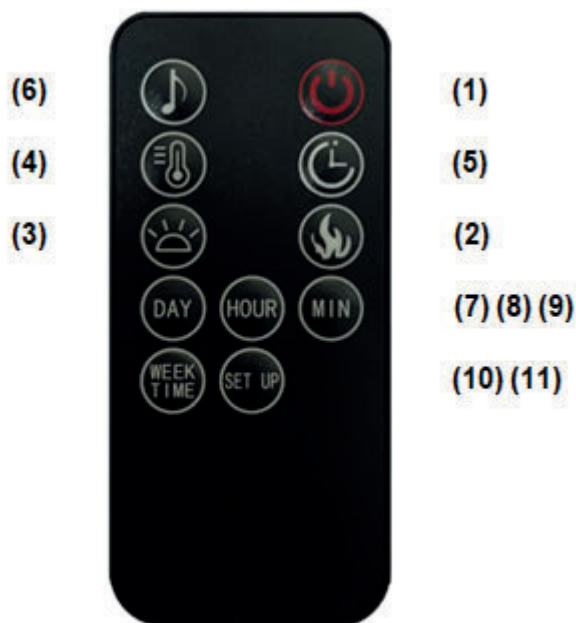
Telecomando

Il funzionamento dei pulsanti del telecomando è identico a quello dei pulsanti sul pannello frontale del dispositivo. Per ulteriori informazioni sulla funzionalità di questi pulsanti, consultare la sezione Controllo del dispositivo.

Elementi di controllo remoto:

- pulsante di alimentazione principale (1),
- pulsante colore fiamma principale (2),
- pulsante del colore della fiamma della legna da ardere (3),
- pulsante del riscaldatore (4),

- pulsante del timer (5),
- pulsante sonoro di combustione a legna (6),
- pulsanti orologio e timer settimanale (7, 8, 9, 10, 11).



Funzione sonora di combustione a legna (6)

Premere il pulsante (6) del telecomando per attivare/disattivare il suono di combustione a legna. Il display digitale visualizza "51" quando il suono di combustione a legna è attivo e "50" quando il suono di combustione a legna è spento.

Funzione orologio (7, 8, 9)

Premere il tasto (7) del telecomando per impostare il giorno della settimana corrente e utilizzare i tasti (8) per le ore e (9) per i minuti per impostare l'ora corrente.

Il giorno della settimana e l'ora corrente vengono visualizzati sul display digitale ogni volta che viene attivato.

Quando l'apparecchio viene scollegato, le impostazioni dell'orologio vengono ripristinate.

Funzione timer settimanale (8, 9, 10, 11)

La funzione timer settimanale consente di impostare l'accensione e lo spegnimento automatico del riscaldamento per un intervallo di tempo preimpostato al giorno su un ciclo settimanale (MON – TUE – WED – THU – FRI – SAT – SUN) nell'ambito delle impostazioni di riscaldamento impostate manualmente l'ultima volta.

Premere il tasto (10) del telecomando per attivare la funzione timer settimanale.

Utilizzare i tasti (8) per le ore e (9) per i minuti per impostare l'ora di accensione del riscaldamento il lunedì.

Premere il pulsante (11) per passare all'impostazione dell'ora di spegnimento del riscaldamento il lunedì.

Utilizzare i pulsanti (8) per le ore e (9) per i minuti per impostare l'ora di spegnimento del riscaldamento il lunedì.

Premere il pulsante (10) per continuare a impostare l'orario di accensione/spegnimento del riscaldatore per il giorno successivo.

Utilizzare la stessa procedura per impostare gli intervalli di tempo per gli altri giorni.

Se si smette di premere i pulsanti della funzione timer settimanale per più di 3 secondi, si esce dalla funzione timer settimanale e si conferma l'impostazione precedente.

Per rivedere le impostazioni del timer settimanale, premere il pulsante (10) in sequenza per visualizzare l'ora di accensione per ogni giorno; utilizzare il pulsante (11) per visualizzare l'ora di spegnimento; per modificare le impostazioni del timer settimanale, utilizzare i pulsanti (8) per le ore e (9) per i minuti.

Per disattivare il timer settimanale per un determinato giorno della settimana, impostare 00:00 per gli orari di accensione e spegnimento del riscaldatore.

Per disattivare manualmente il timer settimanale, scollegare l'apparecchio dalla presa di corrente e riaccenderlo.

Per migliorare il funzionamento del telecomando, puntarlo verso la parte anteriore del dispositivo. Evitare di esporre il trasmettitore a infrarossi sul pannello di controllo alla luce diretta del sole.

Non premete i tasti del telecomando troppo forte o troppo spesso. Attendere un po' prima che il dispositivo esegua un comando.

Maneggiare il telecomando con delicatezza. Non farlo cadere, non calpestarlo e assicurarsi che non si bagni.

La batteria viene fornita con il telecomando. Il codice della batteria è CR2025 3V.

La prima cosa da fare con il telecomando è rimuovere il foglio di plastica che isola la batteria.

Quando si inserisce la batteria, accertarsi che la polarità corrisponda alle indicazioni riportate all'interno del vano batteria del telecomando.

Rimuovere la batteria dal telecomando se non lo si usa per molto tempo.

Sostituire per tempo la batteria del telecomando.

Cercate di non utilizzare batterie ricaricabili.

CURA E MANUTENZIONE



ATTENZIONE! Scollegare sempre l'alimentazione prima di pulire il dispositivo. Innanzitutto, spegnere l'alimentazione principale. Quindi rimuovere la spina dalla presa di corrente.



AVVERTENZA! Non utilizzare il dispositivo se una parte di esso è stata sommersa. Chiamare immediatamente un tecnico qualificato per ispezionare il dispositivo.



ATTENZIONE! Prima di pulire il dispositivo, accertarsi che si sia completamente raffreddato.

Il motore della ventola del riscaldatore e il motore della fiamma sono pre-lubrificati per garantire un utilizzo duraturo e non necessitano di ulteriore lubrificazione o manutenzione.

Per rimuovere eventuali accumuli di polvere, lanugine e insetti, di tanto in tanto è necessario utilizzare la spazzola morbida di un aspirapolvere per pulire la griglia di uscita del termoventilatore.

Per spolverare, utilizzare un panno morbido e pulito che non graffi la superficie.

Per pulire la superficie del dispositivo, utilizzare un panno morbido e pulito inumidito con acqua calda. Non utilizzare detergenti domestici o abrasivi, perché potrebbero danneggiare la superficie.

Per pulire il pannello di vetro del dispositivo, utilizzare un panno umido non abrasivo (non bagnato) e, se necessario, un detergente liquido o sapone liquido. Non utilizzare polveri abrasive o altri prodotti con sostanze abrasive, poiché potrebbero graffiare il pannello di vetro del dispositivo.

In nessun caso il dispositivo deve essere utilizzato con un pannello di vetro rotto o scheggiato.

Non urtare o far cadere il pannello di vetro del dispositivo.

Prima di collegare il dispositivo all'alimentazione, accertarsi che sia completamente asciutto.

Quando il dispositivo non è in uso, scollegare il cavo di alimentazione dalla presa di corrente per evitare di danneggiare il dispositivo o di scollegare accidentalmente il cavo di alimentazione.

SMALTIMENTO



I materiali di imballaggio del dispositivo sono riciclabili e riutilizzabili. Non smaltire i materiali di imballaggio con i rifiuti domestici, ma consegnarli a un centro di raccolta appropriato per il riciclaggio.



Il dispositivo deve essere smaltito al termine della sua vita utile. Il dispositivo contiene materiali preziosi che possono essere riciclati. Non smaltire il dispositivo con i rifiuti domestici, ma consegnarlo a un sito di raccolta appropriato per le vecchie apparecchiature elettriche.

Non smaltire le batterie usate del telecomando insieme ai rifiuti domestici, ma consegnarle all'apposito centro di raccolta per le batterie usate.

RISOLUZIONE DEI PROBLEMI

Problema	Soluzione
Il dispositivo non si accende.	Verificare che il dispositivo sia collegato all'alimentazione. Premere il pulsante di accensione principale sul pannello di controllo.
L'interruttore principale si accende, ma non c'è effetto fiamma.	Aprire il pannello posteriore per verificare che il fusibile della fiamma non sia caduto dal motore del fusibile.
Durante il riscaldamento, l'aria calda non viene erogata.	Assicurarsi che la temperatura nominale del riscaldatore sia superiore alla temperatura ambiente. Accendere/spegnere il pulsante del riscaldatore più volte per assicurarsi che il riscaldatore sia acceso.
Il riscaldamento non funziona.	Spegnere tutte le modalità operative e scollegare il dispositivo dalla presa di corrente per 5 minuti. Dopo 5 minuti, ricollegare il dispositivo alla presa di corrente e utilizzarlo normalmente.
Il display del pannello di controllo visualizza l'errore "E1".	Spegnere tutte le modalità operative e scollegare il dispositivo dalla presa di corrente per 5 minuti. Dopo 5 minuti, ricollegare il dispositivo alla presa di corrente e utilizzarlo normalmente.
Il telecomando non funziona.	Rimuovere il foglio di plastica che isola la batteria. / Avvicinare il telecomando al dispositivo. / Sostituire la batteria del telecomando.

DICHIARAZIONE DI CONFORMITÀ



Questo dispositivo è conforme alle seguenti direttive europee: 2014/35/UE (LVD), 2014/30/UE (EMC), 2009/125/CE (ERP), 2011/65/UE (RoHS).

SCHEDA INFORMATIVA DEL PRODOTTO

Identificatore/i del modello: AF24 MULTICOLOR, AF38 MULTICOLOR, AF58 MULTICOLOR					
Articolo	Simbolo	Valore	Unità	Articolo	Unità
Potenza termica				Tipo di apporto di calore, solo per riscaldatori elettrici ad accumulo	
Potenza termica nominale	P_{nom}	1,8	kW	Controllo manuale della carica termica con termostato integrato	N/D
Potenza termica minima (indicativa)	P_{min}	0,9	kW	Controllo manuale della carica termica con feedback della temperatura ambiente e/o esterna	N/D
Potenza termica massima continua	$P_{max,c}$	1,8	kW	controllo elettronico della carica termica con feedback della temperatura ambiente e/o esterna	N/D
Consumo di elettricità ausiliaria				potenza termica assistita da ventilatore	N/D
Alla potenza termica nominale	eI_{max}	N/D	kW	Tipo di potenza termica/controllo della temperatura ambiente	
Alla potenza termica minima	eI_{min}	N/D	kW	Potenza termica a singolo stadio e nessun controllo della temperatura ambiente	[no]
In modalità standby	eI_{sb}	0,7	W	due o più fasi manuali, nessun controllo della temperatura ambiente	[no]
				con termostato meccanico per la regolazione della temperatura ambiente	[no]
				con controllo elettronico della temperatura ambiente	[no]
				Controllo elettronico della temperatura ambiente e timer giornaliero	[no]
				con controllo elettronico della temperatura ambiente e timer settimanale	[si]
				Altre opzioni di controllo	
				controllo della temperatura ambiente, con rilevamento di presenza	[no]
				Controllo della temperatura ambiente, con rilevamento della finestra aperta	[si]
				con opzione di controllo della distanza	[no]
				con controllo adattativo dell'avviamento	[no]
				con limitazione dell'orario di lavoro	[no]
				con sensore a bulbo nero	[no]
Dettagli di contatto	ARTIFLAME Sp. z o.o., Grabie 37, 32-002 Węgrzce Wielkie, Polonia				

OBBLIGHI DI GARANZIA

ATTENZIONE! Quando si acquista o si riceve un prodotto, verificare il set di consegna, l'idoneità alla manutenzione e che non sia danneggiato, nonché che sia disponibile un manuale d'uso.

Termini e condizioni del servizio di garanzia

Il periodo di garanzia del prodotto è di 2 anni dalla vendita o dal ricevimento, se esiste un documento commerciale o di cassa/fiscale o di trasporto che confermi la data di vendita o di ricevimento del prodotto. Il cliente ha diritto alla garanzia di riparazione del prodotto durante il periodo di garanzia, se il prodotto si è guastato a causa di difetti di materiale o di fabbricazione. Il periodo di garanzia di cui sopra si applica solo ai prodotti utilizzati per scopi personali, familiari o domestici, non legati ad attività commerciali.

L'acquirente perderà il diritto alla riparazione in garanzia in caso di:

- Violazione delle istruzioni per l'installazione e l'uso fornite nel manuale d'uso.
- Uso del prodotto non conforme alla sua destinazione.
- Collegamento errato del prodotto all'alimentazione.
- Se i malfunzionamenti del prodotto sono causati da una conservazione impropria o da danni meccanici durante il trasporto o l'uso.
- Se il prodotto è fortemente contaminato sia internamente che esternamente o è arrugginito.
- Se il prodotto presenta segni di apertura/riparazione non autorizzata o è stato sottoposto a modifiche o cambiamenti nel design.
- Se l'uso del prodotto è continuato dopo la comparsa del malfunzionamento e non è stato interrotto.
- Se all'interno del prodotto si trovano oggetti estranei, liquidi, sostanze o insetti.
- Se l'etichetta è stata rimossa dal prodotto.
- Normale usura delle parti del prodotto dovuta a un uso eccessivo. L'usura uniforme di parti che non presentano difetti di fabbrica non dà diritto alla sostituzione in garanzia.
- Danni causati da calamità naturali (incendi, inondazioni, ecc.) o da fattori domestici (sovraccarico di tensione, caduta di tensione, interruzione dell'alimentazione, ecc.)

La garanzia non copre le lampade.

In caso di domande relative al servizio di garanzia nell'UE, contattare il centro di assistenza autorizzato:
+48 12 333 60 74, sklep@artiflame.pl.

Compilare il modulo sottostante in stampatello e restituirlo insieme al prodotto danneggiato:

Nome, cognome: _____

Indirizzo: _____

Codice postale, Luogo di residenza: _____

Data, firma: _____

Modello: _____

Motivo del reclamo: _____

NEDERLANDS

Let op:

Dit product is alleen geschikt voor goed geïsoleerde ruimten of incidenteel gebruik.

INHOUDSOPGAVE

Algemene informatie
Leveringsset
Specificatie
Veiligheidsinformatie
Installatie
Controle van het apparaat
Verzorging en onderhoud
Verwijdering
Problemen oplossen
Verklaring van overeenstemming
Productinformatieblad
Garantieverplichtingen

ALGEMENE INFORMATIE

Beste klant,

Dank u voor het kiezen van de ArtiFlame elektrische haard – een huishoudelijk elektrisch apparaat ontworpen om een kamer te verwarmen met een vlamnabootsende functie.

De naleving van de kwaliteitsnormen, de functionaliteit en het ontwerp van dit apparaat garanderen u een betrouwbaar en handig gebruik.

Bij correcte installatie en gebruik zult u vele jaren plezier hebben van het apparaat.

Het apparaat kan worden gemonteerd in een haardportaal, kastmeubel, muurnis, gipsplaat of een ander speciaal voorbereid frame.

Lees de gebruikershandleiding zorgvuldig door voordat u dit apparaat voor het eerst installeert en gebruikt.

Bewaar deze gebruikershandleiding op een toegankelijke plaats voor de levensduur van het apparaat of voor de volgende eigenaar.

Opmerkingen:

In deze handleiding kan de ingebouwde elektrische inbouwhaard met verwarming de volgende namen hebben: apparaat, uitrusting, artikel, product, kachel, elektrische haard, open haard, enz.

Om het apparaat te verbeteren, behoudt de fabrikant zich het recht voor het uiterlijk, de constructie, de leveringsreeks en de specificaties van het apparaat zonder voorafgaande kennisgeving te wijzigen.

In de tekst, digitale aanduidingen en afbeeldingen kunnen technische en typografische fouten voorkomen.

LEVERINGSSET

Ingebouwde elektrische inbouwhaard met verwarming – 1 stuks.

Afstandsbediening – 1 stuks.

Gebruiksaanwijzing inclusief sectie garantieverplichtingen – 1 stuks.

AF24 MULTICOLOR / AF38 MULTICOLOR

AF58 MULTICOLOR

Montagebeugels – 4 stuks.

Schroeven – 4 stuks.

Schroeven – 16 stuks.

SPECIFICATIE

Verwarmingsoppervlak: tot 30 m²

Nominale spanning: 220-240 V

Nominale frequentie: 50 Hz

Nominaal vermogen: 900 / 1800 W

Bescherming tegen elektrische schokken: klasse I

Fabricagedatum: zie op het etiket van het apparaat

Levensduur: onbeperkt

AF24 MULTICOLOR

Schouw diagonaal: 24 inch

Nettogewicht: 11 kg

Productafmetingen (breedte x hoogte x diepte), mm: 612 x 500 x 190

Afmetingen van de opening (breedte x hoogte), mm: 585 x 480

AF38 MULTICOLOR

Schouw diagonaal: 38 inch

Nettogewicht: 15,5 kg

Productafmetingen (breedte x hoogte x diepte), mm: 993 x 414 x 190

Afmetingen van de opening (breedte x hoogte), mm: 966 x 395

AF58 MULTICOLOR

Schouw diagonaal: 58 inch

Nettogewicht: 24,8 kg

Productafmetingen (breedte x hoogte x diepte), mm: 1482 x 425 x 190

Afmetingen van de opening (breedte x hoogte), mm: 1440 x 414

Let op! Wanneer u het apparaat gebruikt in een ruimte met een laag achtergrondgeluidsniveau, kunt u het geluid horen van het mechanisme dat zorgt voor de werking van de vlam. Dit is normaal en mag geen aanleiding geven tot bezorgdheid.

VEILIGHEIDSINFORMATIE

De gebruiker is volledig verantwoordelijk voor de gekwalificeerde installatie van het apparaat en voor de veiligheid tijdens het gebruik.



OPGELET! Belangrijke informatie en nuttige tips voor het gebruik van het apparaat.

Volg de standaard veiligheidswaarschuwingen, inclusief de instructies en waarschuwingen in deze handleiding, om het apparaat veilig te bedienen en het potentiële risico van brand, elektrische schokken of letsel aan personen te voorkomen.

Installeer en gebruik het apparaat in overeenstemming met de plaatselijke elektrische voorschriften en andere bouwverordeningen.

Voordat u het apparaat installeert en gebruikt, moet u zich ervan vergewissen dat de op het apparaat aangegeven voedingsspanning overeenkomt met de spanning van het beschikbare elektrische circuit.

Na de installatie van het apparaat moet u ervoor zorgen dat de stekker vrij toegankelijk is.

Gelijktijdig gebruik van het verwarmingsapparaat met andere krachtige elektrische apparaten in hetzelfde elektrische circuit kan de zekering in het apparaat of het aangesloten elektrische circuit inschakelen.

Gebruik het apparaat in een goed geventileerde ruimte.

Na het eerste gebruik van de verwarming kan een zwakke, onschadelijke geur ontstaan. Dit is het gevolg van de eerste start van de interne verwarmingsonderdelen en mag geen reden tot bezorgdheid zijn; deze geur zal snel verdwijnen.

Het apparaat is uitgerust met een thermische beveiligingsfunctie. Bij oververhitting schakelt het apparaat zichzelf uit om schade of brandgevaar te voorkomen. Zodra het apparaat is afgekoeld, kan het weer worden ingeschakeld.

Het apparaat is alleen bedoeld voor gewoon thuisgebruik; het mag niet voor industriële doeleinden worden gebruikt.

Ondeskundige installatie van het apparaat kan aanzienlijke risico's met zich meebrengen. Als u het apparaat niet zelf op het stroomnet kunt aansluiten of als er twijfels zijn over de bruikbaarheid van het apparaat, neem dan contact op met een gekwalificeerde elektricien.

Het apparaat bevat geen onderdelen die door de gebruiker moeten worden onderhouden.

Stel planten en dieren niet bloot aan de directe stroom hete lucht van het apparaat.



WAARSCHUWINGEN, die in acht moeten worden genomen om schade aan het apparaat te voorkomen.

Gebruik het apparaat niet buitenshuis.

Schakel het apparaat niet onmiddellijk na transport of opslag in de kou in. Voordat u het inschakelt, moet u het minstens 3 uur op kamertemperatuur laten komen om schade door condensatie op de interne onderdelen van het apparaat te voorkomen.

Gebruik, indien aanwezig, handgrepen om het apparaat te verplaatsen.

Zet het apparaat niet aan in de verpakking.

Dit apparaat is niet bedoeld voor gebruik in badkamers, wasruimten en soortgelijke locaties binnenshuis. Plaats het apparaat nooit op een plaats waar het in een badkuip of ander waterreservoir kan vallen.

Installeer of gebruik het apparaat niet direct onder een stopcontact.

Laat het netsnoer niet onder de vloerbedekking lopen. Bedek het netsnoer niet met kleedjes, lopers of dergelijke. Leg het netsnoer uit de buurt van plaatsen met veel verkeer en waar men niet over kan struikelen.

Sluit het apparaat altijd rechtstreeks aan op een stopcontact en gebruik geen verlengsnoer of adapter.

Sluit het apparaat alleen aan op geaarde stopcontacten.

Gebruik het apparaat niet met een gedraaid netsnoer.

Let er bij het gebruik van het apparaat op dat het netsnoer niet in aanraking komt met verwarmde oppervlakken.

Haal altijd de stekker uit het stopcontact als u het apparaat niet gebruikt.

Om het apparaat los te koppelen, zet u de bediening uit en haalt u vervolgens de stekker uit het stopcontact.

Gebruik het apparaat niet als wasdroger.

Plaats het apparaat niet in de buurt van verwarmingstoestellen.

Gebruik geen apparaat met een automatische timer of andere technische apparatuur die het apparaat of een elektrisch circuit waarop het is aangesloten automatisch in- of uitschakelt.



WAARSCHUWINGEN, die strikt in acht moeten worden genomen om letsel aan personen te voorkomen.

Gebruik het apparaat alleen zoals beschreven in deze handleiding. Elk ander gebruik dat niet door de fabrikant wordt aanbevolen, kan brand, elektrische schokken of verwondingen aan personen veroorzaken en de garantie beëindigen.

Kinderen, personen met verminderde lichamelijke, zintuiglijke of geestelijke vermogens, alsmede personen zonder voldoende kennis en ervaring, mogen het toestel niet gebruiken, tenzij zij onder toezicht staan van een persoon die verantwoordelijk is voor hun veiligheid of naar behoren is geïnstrueerd in het gebruik van het toestel.

Laat kinderen niet zonder toezicht in de buurt van het apparaat.

Laat kinderen niet met het apparaat en het verpakkingsmateriaal spelen.

Wees vooral voorzichtig wanneer u het apparaat gebruikt in de aanwezigheid van kinderen en gehandicapten, en wanneer u het in werking en zonder toezicht achterlaat.

Gebruik het apparaat niet in een onbeveiligde positie. Het apparaat moet altijd stevig worden bevestigd in een haardportaal, kastmeubel, muurnis, gipsplaat of een ander speciaal voorbereid frame.

Er mag geen water op het apparaat komen.

Zet het apparaat niet aan als er water op een deel ervan komt.

Als het apparaat in het water is gevallen, trek dan onmiddellijk de stekker uit het stopcontact zonder het apparaat of het water aan te raken.

Raak het apparaat tijdens de werking niet aan met natte handen.

Het apparaat wordt warm tijdens het gebruik. Raak de hete oppervlakken niet aan om brandwonden te voorkomen.

Dek het apparaat nooit af als het in werking is.

Om oververhitting, ontbranding of mogelijke brand te voorkomen, mogen de luchtinlaten en de uitlaat voor de ventilatie van het apparaat en de afvoer van warme lucht uit het verwarmingsapparaat op geen enkele manier worden geblokkeerd.

Plaats het apparaat niet op zachte oppervlakken (bedden, banken, tapijten, enz.) met een beperkte luchtcirculatie.

Geen vreemde voorwerpen in de ventilatie- of uitlaatopeningen steken of toelaten.

Houd brandbare materialen, zoals meubels, kussens, beddengoed, papieren, kleding en gordijnen op minstens 1 meter afstand van de voorkant van de verwarming. Plaats dergelijke voorwerpen niet achter en aan weerszijden van het toestel.

Het apparaat heeft hete en vonkende onderdelen binnenin. Gebruik het apparaat niet op plaatsen waar benzine, verf of brandbare vloeistoffen worden gebruikt of opgeslagen.

Schakel het apparaat uit en laat het afkoelen voordat u het verplaatst.

Als u de stekker uit het stopcontact haalt, trek dan niet aan het snoer, maar aan de stekker zelf.

Demonteer of wijzig het ontwerp van het apparaat niet.

Gebruik het apparaat niet met een beschadigd snoer of beschadigde stekker of nadat het apparaat defect is geraakt, is gevallen of op enigerlei wijze is beschadigd.

Als er rook, vonken of een sterke geur van verbrande isolatie uit het apparaat komt, stop dan onmiddellijk met het gebruik ervan en trek de stekker uit het stopcontact.

Probeer het apparaat niet zelf te repareren als het kapot of beschadigd is. Neem contact op met een servicecentrum voor onderzoek, elektrische of mechanische afstelling of reparatie.

INSTALLATIE



WAARSCHUWING! Wees voorzichtig met scherpe randen en hoeken van het apparaat.



WAARSCHUWING! Installeer het apparaat met twee personen om letsel en schade te voorkomen.

Het apparaat moet worden gebruikt in een kader van geschikte afmetingen (haardportaal, kastmeubel, muurnis, gipsplaat, enz.)

Voor een goede ventilatie moet u boven en achter het apparaat een ruimte van ten minste 50 mm vrijhouden, zodat er een luchtlaag ontstaat tussen het apparaat en de omringende delen.

Het wordt afgeraden het apparaat in de buurt van sterke lichtbronnen te installeren om te voorkomen dat de kwaliteit van de vlameffecten afneemt.

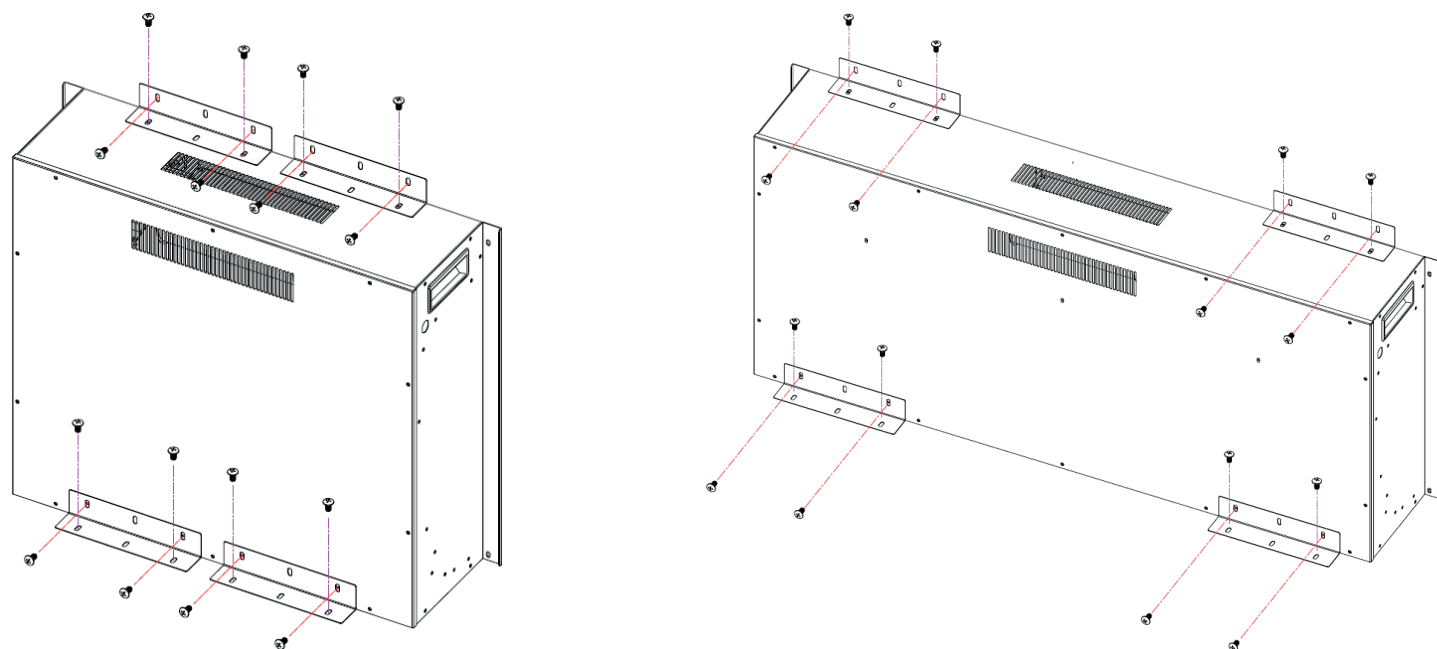
Haal het apparaat voorzichtig uit de verpakking. Bewaar de verpakking voor toekomstig gebruik voor een veilig transport van het apparaat, indien nodig.

Vóór de definitieve installatie van het apparaat moet u een inschakeltest uitvoeren via een geschikt stopcontact.

Het apparaat moet van binnenuit in het kozijn worden geïnstalleerd. Plaats het apparaat voorzichtig aan de achterkant van het kozijn en centreer het in de opening. Probeer het apparaat niet vanaf de voorkant van het kozijn te installeren – het past niet.

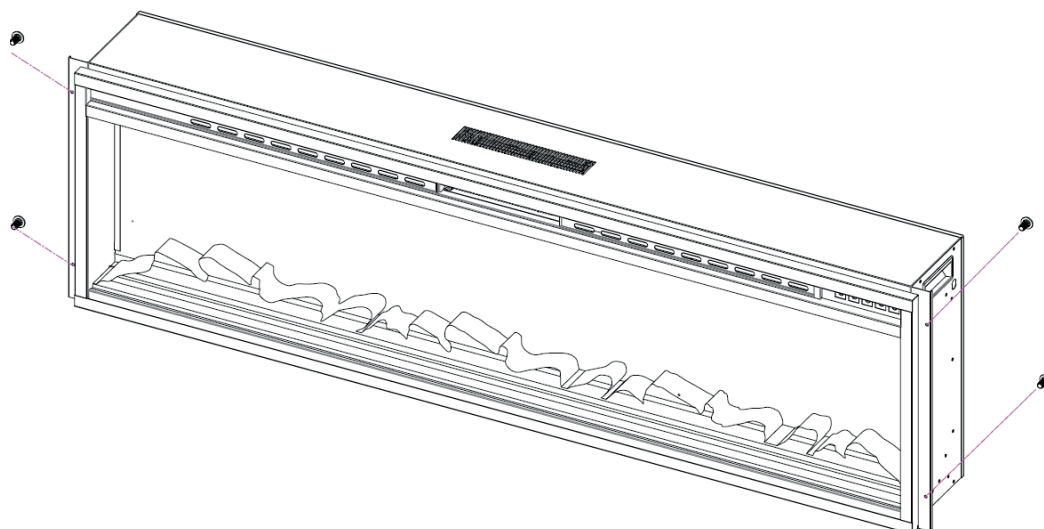
AF24 MULTICOLOR / AF38 MULTICOLOR

Controleer de uitlijning en bevestig het apparaat aan de omlijsting met montagebeugels en schroeven, die u door de geboorde gaten op de montagebeugels en het apparaat steekt.



AF58 MULTICOLOR

Controleer de uitlijning en bevestig het apparaat aan het kozijn met schroeven, die door de geboorde gaten van de montageplaten gaan.



Met het oog op de veiligheid moet het apparaat stevig in het frame worden gemonteerd en bevestigd, zodat het tijdens het gebruik niet kan bewegen.

CONTROLE VAN HET APPARAAT

Voor de bediening van het apparaat kunnen zowel het bedieningspaneel als de afstandsbediening worden gebruikt.

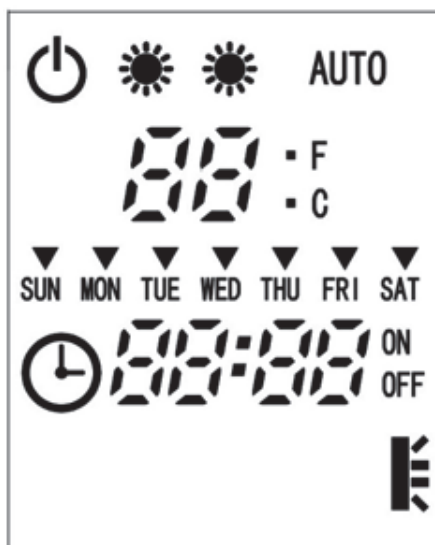
Het apparaat heeft verwarmings- en vlammodi.

Let op:

Het apparaat is niet ontworpen om alleen als verwarming, zonder vlam, te worden gebruikt.

Digitaal display en functie-indicator

Het digitale display en de functie-indicator tonen informatie over de geselecteerde instellingen.



Bedieningspaneel

Het bedieningspaneel bevindt zich in de rechterbovenhoek van het voorpaneel van het apparaat. Elementen van het bedieningspaneel:

- hoofdschakelaar (1),
- knop hoofdvlamkleur (2),
- knop voor de kleur van de haardvlam (3),
- verwarmingsknop (4),
- timerknop (5).



Hoofdschakelaar (1)

Druk op de hoofdschakelaar om het apparaat in en uit te schakelen. Druk eenmaal op de hoofdschakelaar om het apparaat in te schakelen. Druk nogmaals op de hoofdschakelaar om het apparaat uit te schakelen.

Regeling van de kleur van de hoofdvlam (2)



Druk op de knop (2) om de kleur van de hoofdvlam in te stellen: F1 (oranje en blauw mix) – F2 (oranje) – F3 (blauw) – F4 (cyclus / vloeiende automatische verandering van de kleur van de hoofdvlam).

Regeling brandhoutvlam (3)

Druk op de knop (3) om de kleur van de brandhoutvlam in te stellen: L1 (oranje) – L2 (blauw) – L3 (roze) – L4 (cyclus met extra geel / vloeiende automatische verandering van de kleur van de brandhoutvlam).

Verwarmingsregeling (4)

De verwarming wordt in- en uitgeschakeld met de verwarmingsknop.

Op de verwarmingsknop drukken	Status verwarming	Waarde op de digitale display
Eerste drukken	Verwarming uitgeschakeld	00
Tweede drukken	Continu verwarming met laag vermogen – 900 W	Lo 
Derde drukken	Continu verwarming met hoog vermogen – 1800 W	Hi 
Vierde drukken	Verwarming uitgeschakeld	00

Om de temperatuurstelmodus te openen of te verlaten, houdt u de verwarmingstoets 3 seconden ingedrukt wanneer de verwarming aan staat. Gebruik de verwarmingstoets om de gewenste kamertemperatuur in te stellen van 17 °C tot 27 °C in Celsius (van 62 °F tot 82 °F in Fahrenheit) of "oN" voor continu verwarmen. Het vermogensniveau (Laag / Hoog) is afhankelijk van de verwarmingsvermogensmodus die werd geselecteerd toen de verwarming werd ingeschakeld. Wanneer de verwarming werkt op de geselecteerde verwarmingstemperatuur, toont het digitale display "AUTO". De verwarming schakelt automatisch uit wanneer de kamertemperatuur de instelwaarde bereikt en schakelt automatisch in wanneer de kamertemperatuur onder de instelwaarde zakt. Zorg ervoor dat de ingestelde temperatuur van de verwarming hoger is dan de kamertemperatuur, anders kan de verwarming niet worden ingeschakeld of verkeerd werken.

Om de temperatuurschaal te wijzigen tussen Celsius (C) en Fahrenheit (F), houdt u de knop voor de hoofdvlamkleur (2) 3 seconden ingedrukt wanneer de verwarmers aan staat.

Het apparaat heeft een open vensterdetectiefunctie. Als de binnentemperatuur binnen 5 minuten 3 graden onder de ingestelde waarde zakt, stopt het apparaat met het leveren van warmte, gaat de zoemer 5 keer af en verschijnt op het digitale display:



Let op:

Nadat de verwarming is uitgeschakeld, kan de verwarmingsventilator nog enige tijd werken om de interne onderdelen van het apparaat af te koelen.

Timerfunctie (5)

Het apparaat is uitgerust met een zelfuitschakeltimer met tijdsintervallen van 30 minuten tot 9 uur. Druk achtereenvolgens op de timerknop om een tijdsinterval van 30 minuten tot 9 uur te selecteren: 30 – 1H – 2H – 3H – 4H – 5H – 6H – 7H – 8H – 9H. Wanneer de timer is geactiveerd, verschijnt op het digitale display:

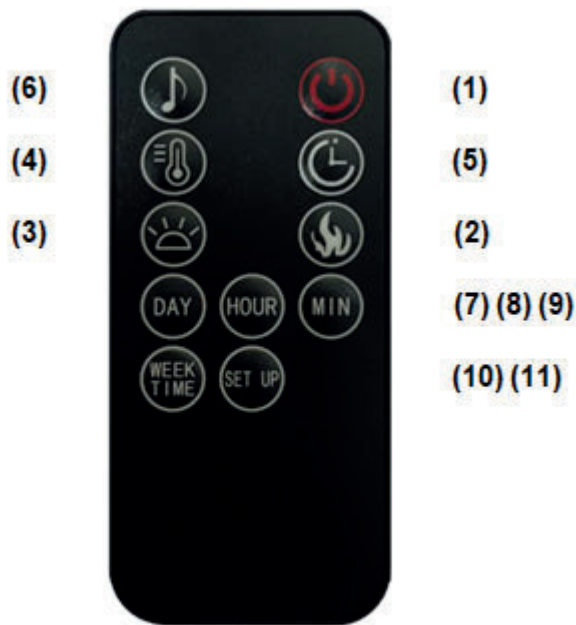


Afstandsbediening

De bediening van de knoppen op de afstandsbediening werkt hetzelfde als de knoppen op het voorpaneel van het apparaat. Raadpleeg het hoofdstuk Apparaatbediening voor meer informatie over de functionaliteit van deze knoppen.

Afstandsbedieningselementen:

- hoofdschakelaar (1),
- knop hoofdvlamkleur (2),
- knop voor de kleur van de haardvlam (3),
- verwarmingsknop (4),
- timerknop (5),
- knop voor houtverbrandingsgeluid (6),
- knoppen klok en wekelijkse timer (7, 8, 9, 10, 11).



Geluidsfunctie houtverbranding (6)

Druk op toets (6) van de afstandsbediening om het houtverbrandingsgeluid aan/uit te zetten. De digitale display toont "51" als het houtverbrandingsgeluid aan is en "50" als het houtverbrandingsgeluid uit is.

Klokfunctie (7, 8, 9)

Druk op de knop (7) op de afstandsbediening om de huidige dag van de week in te stellen en gebruik de knoppen (8) voor uren en (9) voor minuten om de huidige tijd in te stellen.

De huidige dag van de week en tijd worden op de digitale display weergegeven wanneer deze wordt geactiveerd.

Wanneer de stekker uit het stopcontact wordt gehaald, worden de klokinstellingen gereset.

Wekelijkse timerfunctie (8, 9, 10, 11)

Met de weektimerfunctie kan de verwarming worden ingesteld om automatisch in of uit te schakelen gedurende één vooraf ingesteld tijdsinterval per dag in een weekcyclus (MON – TUE – WED – THU – FRI – SAT – SUN) binnen de verwarmingsinstellingen die het laatst handmatig zijn ingesteld.

Druk op de knop (10) op de afstandsbediening om de weektimerfunctie te activeren.

Gebruik de toetsen (8) voor uren en (9) voor minuten om de tijd in te stellen voor het inschakelen van de verwarming op maandag.

Druk op de knop (11) om naar het instellen van de tijd voor het uitschakelen van de verwarming op maandag te gaan.

Gebruik de toetsen (8) voor uren en (9) voor minuten om de tijd voor het uitschakelen van de verwarming op maandag in te stellen.

Druk op de knop (10) om verder te gaan met het instellen van de tijd voor het in- en uitschakelen van de verwarming voor de volgende dag.

Gebruik dezelfde procedure om tijdsintervallen voor andere dagen in te stellen.

Als u langer dan 3 seconden niet op de knoppen van de weektimerfunctie drukt, verlaat u de weektimerfunctie en bevestigt u de vorige instelling.

Om de instellingen van de weektimer te bekijken, drukt u achtereenvolgens op de knop (10) om de tijd voor het inschakelen voor elke dag te zien; gebruik de knop (11) om de tijd voor het uitschakelen te zien; om de instellingen van de weektimer te wijzigen, gebruikt u de knoppen (8) voor uren en (9) voor minuten.

Om de weektimer voor een specifieke dag van de week uit te schakelen, stelt u 00:00 in voor de in- en uitschakeltijden van de verwarming.

Om de weektimer handmatig uit te schakelen, haalt u de stekker uit het stopcontact en zet u het apparaat weer aan.

Richt de afstandsbediening op de voorkant van het apparaat om de werking ervan te verbeteren. Stel de infraroodzender op het bedieningspaneel niet bloot aan direct zonlicht.

Druk niet te hard of te vaak op de knoppen van de afstandsbediening. Wacht even voordat het apparaat een opdracht uitvoert.

Behandel de afstandsbediening voorzichtig. Laat hem niet vallen, stap er niet op en zorg ervoor dat de afstandsbediening niet nat wordt.

De batterij wordt geleverd met een afstandsbediening. De batterijcode is CR2025 3V.

Het eerste wat u moet doen met de afstandsbediening is het plastic vel verwijderen dat de batterij isoleert.

Let er bij het plaatsen van de batterij op dat de polariteit overeenkomt met de markeringen in het batterijvakje van de afstandsbediening.

Verwijder de batterij uit de afstandsbediening als u deze lange tijd niet gaat gebruiken.

Vervang de batterij in de afstandsbediening tijdig.

Probeer geen oplaadbare batterijen te gebruiken.

VERZORGING EN ONDERHOUD



WAARSCHUWING! Haal altijd de stekker uit het stopcontact voordat u het apparaat reinigt. Schakel eerst de hoofdstroom uit. Haal vervolgens de stekker uit het stopcontact.



WAARSCHUWING! Gebruik het apparaat niet als een deel ervan onder water is geweest. Bel onmiddellijk een gekwalificeerde technicus om het apparaat te inspecteren.



WAARSCHUWING! Zorg ervoor dat het apparaat volledig is afgekoeld voordat u het schoonmaakt.

De motor van de verwarmingsventilator en de vlammotor zijn voorgesmeerd voor een duurzaam gebruik en behoeven geen verdere smering of onderhoud.

Om stof, pluizen en insecten te verwijderen, moet het uitlaatrooster van de luchtverhitter af en toe met de zachte borstel van een stofzuiger worden gereinigd.

Gebruik voor het afstoffen een zachte, schone doek die geen krassen maakt.

Gebruik een schone zachte doek bevochtigd met warm water om het oppervlak van het apparaat schoon te maken. Gebruik geen huishoudelijke of schurende schoonmaakmiddelen, omdat deze het oppervlak kunnen beschadigen.

Om het glaspaneel van het apparaat schoon te maken, gebruikt u een niet-schurende, vochtige doek (niet nat) en, indien nodig, een vloeibaar reinigingsmiddel of vloeibare zeep. Gebruik geen schuurpoeder of andere producten met schurende stoffen, omdat deze krassen maken op het glazen paneel van het apparaat.

Het apparaat mag in geen geval worden gebruikt met een gebroken of gebarsten glaspaneel.

Sla of laat het glazen paneel van het apparaat niet vallen.

Zorg ervoor dat het apparaat volledig droog is voordat u het op de voeding aansluit.

Als het apparaat niet in gebruik is, trek dan de stekker uit het stopcontact om schade aan het apparaat of het per ongeluk losraken van het netsnoer te voorkomen.

VERWIJDERING



Het verpakkingsmateriaal van het apparaat is recyclebaar en herbruikbaar. Voer het verpakkingsmateriaal niet af met het huishoudelijk afval, maar lever het in bij een geschikte verzamelplaats voor recycling.



Het hulpmiddel moet na afloop van de levensduur worden verwijderd. Het apparaat bevat waardevolle materialen die gerecycled kunnen worden. Voer het apparaat niet af met het huishoudelijk afval, maar lever het in bij een geschikte inzamelplaats voor oude elektrische apparatuur.

Gooi gebruikte batterijen van de afstandsbediening niet samen met het huisvuil weg, maar lever ze in bij de daarvoor bestemde inzamelplaats voor gebruikte batterijen.

PROBLEMEN OPLOSSEN

Probleem	Oplossing
Het apparaat gaat niet aan.	Controleer of het apparaat is aangesloten op de stroomvoorziening. Druk op de hoofdschakelaar op het bedieningspaneel.
De hoofdschakelaar brandt, maar er is geen vlam.	Open het achterpaneel om te controleren of de vlamspil niet uit de spindelmotor is gevallen.
Bij verwarming wordt geen warme lucht toegevoerd.	Zorg ervoor dat de ingestelde temperatuur van de verwarming hoger is dan de kamertemperatuur. Zet de verwarmingsknop verschillende keren aan/uit om er zeker van te zijn dat de verwarming aanstaat.
De verwarming werkt niet.	Schakel alle bedrijfsmodi uit en haal de stekker van het apparaat gedurende 5 minuten uit het stopcontact. Steek na 5 minuten de stekker weer in het stopcontact en gebruik het apparaat zoals u gewend bent.
Het display van het bedieningspaneel toont fout "E1".	Schakel alle bedrijfsmodi uit en haal de stekker van het apparaat gedurende 5 minuten uit het stopcontact. Steek na 5 minuten de stekker weer in het stopcontact en gebruik het apparaat zoals u gewend bent.
De afstandsbediening werkt niet.	Verwijder het plastic dat de batterij isoleert. / Breng de afstandsbediening dichterbij het apparaat. / Vervang de batterij in de afstandsbediening.

VERKLARING VAN OVEREENSTEMMING



Dit apparaat voldoet aan de volgende Europese richtlijnen: 2014/35/EU (LVD), 2014/30/EU (EMC), 2009/125/EG (ERP), 2011/65/EU (RoHS).

PRODUCTINFORMATIEBLAD

Modelaanduiding(en): AF24 MULTICOLOR, AF38 MULTICOLOR, AF58 MULTICOLOR					
Item	Symbol	Waarde	Eenheid	Item	Eenheid
Warmteafgifte				Type warmtetoevoer, alleen voor elektrische lokaalopslagverwarmingen	
Nominaal warmtevermogen	P_{nom}	1,8	kW	handmatige warmtelastregeling met geïntegreerde thermostaat	N/A
Minimale warmteafgifte (indicatief)	P_{min}	0,9	kW	handmatige warmtelastregeling met terugkoppeling van kamer- en/of buitentemperatuur	N/A
Maximale continue warmteafgifte	$P_{max,c}$	1,8	kW	elektronische warmtelastregeling met terugkoppeling van ruimte- en/of buitentemperatuur	N/A
Verbruik van hulpelektriciteit				ventilatorgestuurde warmteafgifte	
Bij nominaal warmtevermogen	eI_{max}	N/A	kW	Type warmteafgifte/kamertemperatuurregeling	
Bij minimale warmteafgifte	eI_{min}	N/A	kW	éénfaseverwarming en geen regeling van de kamertemperatuur	[Nee.]
In stand-by	eI_{SB}	0,7	W	twee of meer handmatige fasen, geen regeling van de kamertemperatuur	[Nee.]
				met mechanische thermostaat kamertemperatuurregeling	[Nee.]
				met elektronische ruimtetemperatuurregeling	[Nee.]
				elektronische ruimtetemperatuurregeling plus dagtimer	[Nee.]
				met elektronische ruimtetemperatuurregeling plus weektimer	[ja]
				Andere bedieningsmogelijkheden	
				ruimtetemperatuurregeling, met aanwezigheidsdetectie	[Nee.]
				kamer temperatuur controle, met open raam detectie	[ja]
				met afstandscntrole optie	[Nee.]
				met adaptieve startregeling	[Nee.]
				met werktijdbeperking	[Nee.]
				met zwarte lamp sensor	[Nee.]
Contactgegevens	ARTIFLAME Sp. z o.o., Grabie 37, 32-002 Węgrzce Wielkie, Polen.				

GARANTIEVERPLICHTINGEN

LET OP! Controleer bij aankoop of ontvangst van een product of het een leveringsset is, of het in orde is en onbeschadigd, en of er een handleiding bij zit.

Voorwaarden voor garantieservice

De productgarantieperiode bedraagt 2 jaar na de verkoop of ontvangst, indien er een handels- of contant/fiscaal of vervoersdocument is dat de datum van verkoop of ontvangst van het product bevestigt. De klant heeft recht op reparatie van het product tijdens de garantieperiode, indien het product defect is geraakt door materiaal- of fabricagefouten. De bovenstaande garantieperiode geldt alleen voor producten die worden gebruikt voor persoonlijke, gezins- of huishoudelijke doeleinden, die geen verband houden met zakelijke activiteiten.

De koper verliest het recht op garantiereparatie in geval van:

- Schending van de installatie- en gebruiksinstructies in de handleiding.
- Gebruik van het product niet voor het beoogde doel.
- Verkeerde aansluiting van het product op de voeding.
- Als storingen aan het product worden veroorzaakt door onjuiste opslag of mechanische schade tijdens vervoer of gebruik.
- Als het product zowel intern als extern sterk verontreinigd is, of verroest is.
- Als het product tekenen vertoont van ongeoorloofde opening/reparatie of onderworpen is geweest aan ontwerpwijzigingen of modificaties.
- Als het gebruik van het product na het optreden van de storing is voortgezet en niet is gestopt.
- Als er vreemde voorwerpen, vloeistoffen, stoffen of insecten in het product zitten.
- Als het etiket van het product is verwijderd.
- Normale slijtage van productonderdelen door overmatig gebruik. Uniforme slijtage van onderdelen bij afwezigheid van fabrieksfouten geeft geen recht op vervanging door de garantie.
- Schade veroorzaakt door natuurrampen (brand, overstroming, enz.) of huishoudelijke factoren (overbelasting van de spanning, spanningsval, stroomuitval, enz.).

De garantie dekt geen lampen.

Neem bij vragen over de garantieservice in de EU contact op met het geautoriseerde servicecentrum:

+48 12 333 60 74, sklep@artiflame.pl.

Vul onderstaand formulier in blokletters in en stuur het samen met het beschadigde product naar ons terug:

Voornaam, achternaam: _____

Adres: _____

Postcode, woonplaats: _____

Datum, Handtekening: _____

Model: _____

Reden voor de claim: _____

УКРАЇНСЬКА

Примітка:

Цей виріб підходить лише для добре ізольованих приміщень або нерегулярного використання.

ЗМІСТ

Загальна інформація
Комплектація
Технічна інформація
Правила безпеки
Встановлення
Керування
Догляд та обслуговування
Утилізація
Усунення несправностей
Декларація про відповідність
Інформаційний аркуш продукту
Гарантійні зобов'язання

ЗАГАЛЬНА ІНФОРМАЦІЯ

Шановний покупець!

Дякуємо Вам за вибір електричного каміна ArtiFlame – побутового електричного пристрою призначеного для обігріву приміщення з функцією імітації полум'я.

Відповідність стандартам якості, функціональність та дизайн пристрою гарантуватимуть Вам надійність і зручність у його використанні.

За умови кваліфікованого встановлення та правильного використання пристрій прослужить вам довгі роки.

Пристрій вбудовується у камінний портал, корпусні меблі, нішу стіни, гіпсокартонний модуль або інше спеціально підготовлене обрамлення.

Будь ласка, уважно прочитайте інструкцію з експлуатації перед встановленням та першим застосуванням пристрою.

Зберігайте інструкцію у доступному місці протягом усього терміну використання пристрою або для наступного власника.

Примітки:

У тексті інструкції електричний камін вбудовуваний з обігрівом може мати такі назви: пристрій, прилад, виріб, продукт, обігрівач, електрокамін, камін тощо.

Виробник залишає за собою право без попереднього повідомлення змінювати дизайн, конструкцію, комплектацію та технічні характеристики пристрою з метою поліпшення його властивостей.

У тексті, цифрових позначеннях та на малюнках інструкції можливі технічні та друкарські помилки.

КОМПЛЕКТАЦІЯ

Електричний камін вбудовуваний з обігрівом – 1 шт.

Пульт дистанційного керування – 1 шт.

Інструкція з експлуатації з розділом щодо гарантійних зобов'язань – 1 шт.

AF24 MULTICOLOR / AF38 MULTICOLOR

AF58 MULTICOLOR

Монтажні кронштейни – 4 шт.

Гвинти – 4 шт.

Гвинти – 16 шт.

ТЕХНІЧНА ІНФОРМАЦІЯ

Площа обігріву: до 30 кв.м

Номинальна напруга: 220-240 вольт

Номинальна частота: 50 герц

Номинальна споживана потужність: 900 / 1800 ват

Клас захисту від ураження електричним струмом: клас I

Дата виготовлення: вказана на пристрої

Строк служби: необмежений

AF24 MULTICOLOR

Діагональ вогнища: 24 дюйми

Маса нетто: 11 кг

Габаритні розміри (ширина x висота x глибина), мм: 612 x 500 x 190

Розміри прорізу (ширина x висота), мм: 585 x 480

AF38 MULTICOLOR

Діагональ вогнища: 38 дюймів

Маса нетто: 15,5 кг

Габаритні розміри (ширина x висота x глибина), мм: 993 x 414 x 190

Розміри прорізу (ширина x висота), мм: 966 x 395

AF58 MULTICOLOR

Діагональ вогнища: 58 дюймів

Маса нетто: 24,8 кг

Габаритні розміри (ширина x висота x глибина), мм: 1482 x 425 x 190

Розміри прорізу (ширина x висота), мм: 1440 x 414

Увага! У разі використання пристрою у приміщенні з низьким рівнем фонового шуму можна почути звук роботи механізму, який забезпечує функціонування режиму імітації полум'я. Це нормально та не повинно викликати занепокоєння.

ПРАВИЛА БЕЗПЕКИ

Користувач несе повну відповідальність за кваліфіковане встановлення пристрою та за свою безпеку під час його експлуатації.



УВАГА! Важлива інформація та корисні поради щодо експлуатації пристрою.

Дотримуйтесь стандартних правил безпеки, зокрема вказівок, застережень та попереджень, наведених в інструкції, для безпечної експлуатації пристрою та щоб уникнути займання, ураження електричним струмом або травмування.

Встановлюйте та використовуйте пристрій з дотриманням місцевих правил експлуатації електричних мереж та інших будівельних норм.

Перед встановленням та використанням пристрою переконайтесь, що напруга живлення, зазначена на ньому, відповідає напрузі електромережі у приміщенні.

Після встановлення пристрою має бути забезпечений вільний доступ до його штепсельної вилки.

Одночасне використання пристрою у режимі обігріву з іншими потужними електроприладами в одному електроланцюзі може призвести до спрацьовування запобіжника у пристрої або у домашній електромережі.

Використовуйте пристрій у добре вентильованому приміщенні.

Після першого використання пристрою у режимі обігріву може з'явитись слабкий нешкідливий запах. Це пов'язано з початком експлуатації внутрішніх нагрівальних елементів та не повинно викликати занепокоєння, адже такий запах швидко пройде.

Пристрій обладнаний функцією теплового захисту. У разі перегріву пристрій самостійно вимкнеться, щоб уникнути його пошкодження або ризику виникнення пожежі. Після охолодження пристрою його можна знову ввімкнути.

Пристрій призначений тільки для звичайного домашнього використання, не допускається використовувати його в промислових цілях.

Некваліфіковане встановлення пристрою може спричинити виникнення значної небезпеки. Якщо неможливо самостійно під'єднати пристрій до електромережі або виникли сумніви щодо справності пристрою, необхідно звернутися за допомогою до кваліфікованого електрика.

Пристрій не містить деталей, які обслуговуються користувачем.

Не направляйте прямий потік гарячого повітря з пристрою на рослини та тварин.



ЗАСТЕРЕЖЕННЯ, яких слід дотримуватись, щоб уникнути пошкодження пристрою.

Не використовуйте пристрій поза приміщенням.

Не вмикайте пристрій одразу після перевезення або зберігання на холоді. Перед вмиканням витримайте його при кімнатній температурі не менше 3-х годин, щоб уникнути пошкоджень через утворення конденсату на внутрішніх частинах пристрою.

Для переміщення пристрою використовуйте ручки, якщо вони передбачені конструкцією.

Не вмикайте пристрій у пакованні.

Пристрій не призначений для застосування у ванних кімнатах, пральнях та будь-яких приміщеннях з підвищеною вологістю. Ніколи не розміщуйте пристрій у місцях, де існує ризик його потраплення у ванну або будь-яку місткість з водою.

Не встановлюйте та не використовуйте пристрій безпосередньо під розеткою живлення.

Не розміщуйте шнур живлення під килимовим або будь-яким іншими покриттям, у проходах або в інший спосіб, що підвищує ризик його пошкодження. Розміщуйте шнур живлення так, щоб не спіткнутися об нього.

Завжди вмикайте пристрій безпосередньо у розетку живлення, не використовуючи шнур-подовжувач або адаптер.

Вмикайте пристрій тільки у заземлену розетку живлення.

Не використовуйте пристрій зі скрученим шнуром живлення.

Під час експлуатації пристрою стежте за тим, щоб шнур живлення не торкався нагрітих поверхонь.

Завжди від'єднуйте пристрій від електромережі, якщо він не використовується.

Щоб повністю знеструмити пристрій, спочатку вимкніть його за допомогою елементів керування, а потім вийміть штепсельну вилку з розетки живлення.

Не використовуйте пристрій для сушіння одягу.

Не розміщуйте пристрій поряд з опалювальними приладами.

Не використовуйте пристрій з автоматичним таймером або будь-яким іншим технічним засобом, що забезпечує автоматичне ввімкнення/вимкнення пристрою або електроланцюга, до якого він під'єднаний.



ПОПЕРЕДЖЕННЯ, яких необхідно ретельно дотримуватися, щоб уникнути тілесних ушкоджень.

Використовуйте пристрій виключно за призначенням та згідно з інструкцією. Використання пристрою у спосіб, не передбачений інструкцією, може призвести до займання, ураження електричним струмом або травмування, а також припинення дії гарантії.

Заборонено використовувати пристрій дітям, особам з обмеженими фізичними, сенсорними або розумовими здібностями, а також особам, які не мають відповідних знань та досвіду, якщо вони не знаходяться під контролем людини, відповідальної за їхню безпеку, або їх як слід не проінструктували щодо користування пристроєм.

Не залишайте дітей без нагляду біля ввімкненого пристрою.

Не дозволяйте дітям гратися з пристроєм та пакувальними матеріалами.

Будьте особливо уважні під час використання пристрою у присутності дітей та людей з інвалідністю, а також коли залишаєте його ввімкненим без нагляду.

Не використовуйте пристрій у незакріпленому положенні. Пристрій завжди повинен бути надійно закріплений у камінному порталі, корпусних меблях, ніші стіни, гіпсокартонному модулі або іншому спеціально підготовленому обрамленні.

Не допускайте попадання води на пристрій.

Не вмикайте пристрій, якщо на будь-яку його частину попала вода.

Якщо пристрій упав у воду, негайно вийміть штепсельну вилку з розетки живлення, не торкаючись до пристрою або води.

Не торкайтесь до увімкненого пристрою мокрими руками.

Пристрій нагрівається під час експлуатації. Щоб уникнути отримання опіків не торкайтесь його гарячих поверхонь.

Ні в якому разі не накривайте ввімкнений пристрій.

Щоб уникнути перегріву та займання ніколи не закривайте випускні решітку, призначену для вентиляції пристрою та відтоку гарячого повітря від обігрівача.

Не встановлюйте пристрій на м'яких поверхнях (ліжках, диванах, килимах тощо) з обмеженою циркуляцією повітря.

Не допускайте потрапляння сторонніх предметів усередину пристрою, у вентиляційні решітки та отвори.

Легкозаймисті предмети (меблі, подушки, постіль, папір, одяг, штори тощо) тримайте на відстані не менше 1-го метра від переднього краю пристрою. Уникайте розміщення таких предметів ззаду та з обох боків від пристрою.

Усередині пристрою є розпечені та іскрячі частини. Не використовуйте та не зберігайте поблизу пристрою нафтопродукти, фарби, аерозолі та інші легкозаймисті речовини та матеріали.

Перед переміщенням вимкніть пристрій та дайте йому охолонути.

Виймаючи штепсельну вилку з розетки живлення, не тягніть за шнур – тримайтеся за саму вилку.

Не розбирайте та не змінюйте конструкцію пристрою.

Не використовуйте пристрій з пошкодженим шнуром живлення, штепсельною вилкою, після падіння або при порушеннях у роботі.

У разі появи з пристрою диму, іскріння, сильного запаху горілої ізоляції, негайно припиніть його використання та витягніть штепсельну вилку з розетки живлення.

У разі поломки чи ушкодження пристрою не намагайтесь ремонтувати його самостійно. Зверніться до кваліфікованого електрика для перевірки справності пристрою, електричного та механічного налаштування пристрою.

ВСТАНОВЛЕННЯ



ПОПЕРЕДЖЕННЯ! Будьте обережні з гострими кроями та кутами пристрою.



ПОПЕРЕДЖЕННЯ! Встановлюйте пристрій удвох, щоб уникнути травмувань і пошкоджень.

Пристрій слід використовувати, вбудувавши в обрамлення відповідного розміру (камінний портал, корпусні меблі, нішу стіни, гіпсокартонний модуль тощо).

Для забезпечення належної вентиляції зробіть зазори не менше 50 мм зверху і позаду пристрою, створивши повітряний шар між пристроєм і елементами обрамлення.

Не рекомендується встановлювати пристрій поблизу сильних джерел світла, щоб не погіршити якість ефектів режиму імітації полум'я.

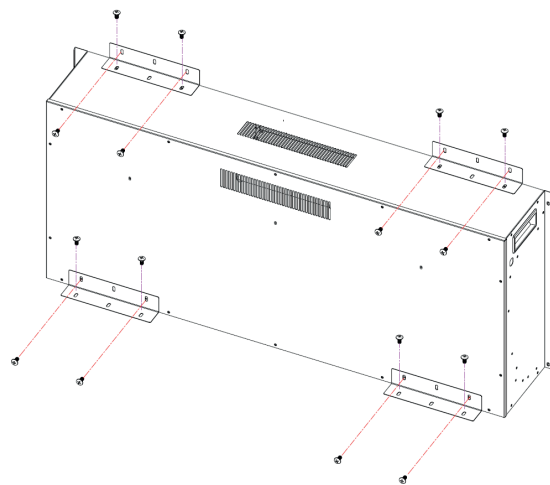
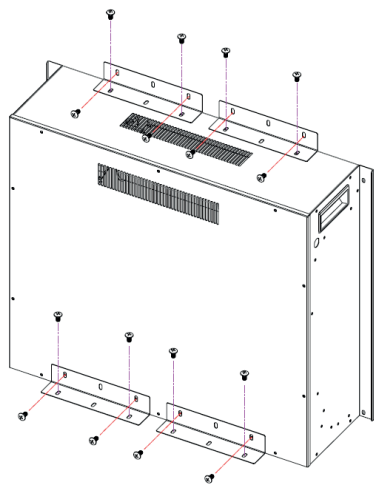
Обережно дістаньте пристрій з пакування. Збережіть пакування, щоб у разі потреби використовувати його надалі для безпечного транспортування пристрою.

Перед остаточним встановленням пристрою здійсніть пробне ввімкнення, при цьому використовуючи відповідну розетку живлення.

Пристрій встановлюється в обрамлення зсередини. Вставте пристрій з задньої частини обрамлення та обережно посуньте його, щоб рамка каміна встала в проріз. Не намагайтеся встановлювати пристрій з передньої частини обрамлення – він не стане в проріз.

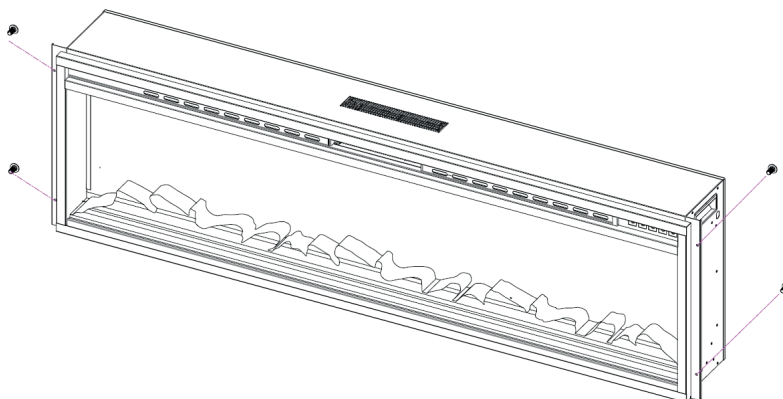
AF24 MULTICOLOR / AF38 MULTICOLOR

Вирівняйте і закріпіть пристрій в обрамленні за допомогою монтажних кронштейнів і гвинтів, вкручуючи їх крізь наявні на монтажних кронштейнах і пристрої отвори.



AF58 MULTICOLOR

Вирівняйте і закріпіть пристрій в обрамленні за допомогою гвинтів, вкручуючи їх крізь наявні на кріпильних планках отвори.



Для забезпечення безпеки пристрій повинен бути надійно встановлений і закріплений в обрамленні так, щоб він не рухався під час використання.

КЕРУВАННЯ

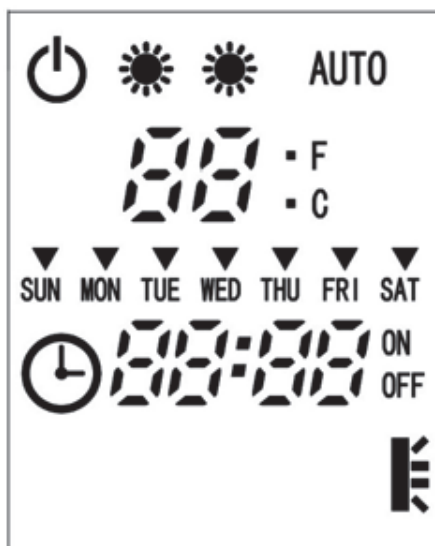
Керування пристроєм здійснюється як з кнопкової панелі, так і з пульта дистанційного керування.

Примітка:

Пристрій не призначений для використання тільки в режимі обігріву без ефектів режиму імітації полум'я.

Цифровий дисплей та індикатор функцій

На цифровому дисплеї та індикаторі функцій відображається інформація щодо обраних налаштувань.



Панель керування

Панель керування розташована у верхньому правому куті передньої частини пристрою. Елементи панелі керування:

- кнопка ввімкнення/вимкнення (1),
- кнопка кольору полум'я (2),
- кнопка кольору підсвічування дров (3),
- кнопка режиму обігріву (4),
- кнопка таймера (5).



Керування ввімкненням/вимкненням пристрою (1)

Щоб увімкнути або вимкнути пристрій натисніть кнопку ввімкнення/вимкнення. Натисніть кнопку ввімкнення/вимкнення один раз, щоб увімкнути пристрій. Натисніть кнопку ввімкнення/вимкнення ще раз, щоб вимкнути пристрій.

Керування кольором полум'я (2)



Натисніть кнопку (2) щоб встановити колір полум'я: F1 (мікс помаранчевого та синього) – F2 (помаранчевий) – F3 (синій) – F4 (циклічний / плавна автоматична зміна кольору полум'я).

Керування кольором підсвічування дров (3)

Натисніть кнопку (3) щоб встановити колір підсвічування дров: L1 (помаранчевий) – L2 (синій) – L3 (рожевий) – L4 (циклічний з жовтим додатково / плавна автоматична зміна кольору підсвічування дров).

Керування режимом обігріву (4)

Режим обігріву вмикається або вимикається кнопкою режиму обігріву.

Натискання кнопки режиму обігріву	Стан обігріву	Значення на цифровому дисплеї
Перше натискання	Обігрів вимкнено	00
Друге натискання	Безперервний обігрів на низькій потужності – 900 ват	Lo 
Третє натискання	Безперервний обігрів на високій потужності – 1800 ват	Hi 
Четверте натискання	Обігрів вимкнено	00

Щоб увійти або вийти з режиму встановлення температури, при ввімкненому режимі обігріву натисніть і утримуйте кнопку режиму обігріву протягом трьох секунд. За допомогою кнопки режиму обігріву встановіть бажану температуру в приміщенні від 17 °C до 27 °C за Цельсієм (від 62 °F до 82 °F за Фаренгейтом) або "oN" для безперервного обігріву. Рівень потужності (низький / високий) залежить від потужності обігріву, обраної під час увімкнення режиму обігріву. Якщо задана температура обігріву, то на цифровому дисплеї відображається "AUTO". Режим обігріву автоматично вимкнеться, коли температура в приміщенні досягне встановленого значення, і автоматично увімкнеться, коли температура в приміщенні опуститься нижче встановленого значення. Переконайтесь, що встановлювана температура режиму обігріву перевищує температуру в приміщенні, інакше режим обігріву може не увімкнутись або працюватиме некоректно.

Щоб змінити шкалу відображення температури між Цельсієм (C) та Фаренгейтом (F), при увімкненому режимі обігріву обережно натисніть та утримуйте кнопку кольору полум'я (2) протягом трьох секунд.

Пристрій має функцію виявлення відкритого вікна. Якщо протягом 5 хвилин температура в приміщенні зменшиться на 3 градуси нижче встановленого значення, пристрій припинить подачу тепла, звуковий сигнал пролунає 5 разів і на цифровому дисплеї відобразиться:



Примітка:

Після вимкнення режиму обігріву вентилятор обігрівача може працювати протягом деякого часу для охолодження внутрішніх елементів пристрою.

Функція таймера (5)

Пристрій обладнаний таймером самостійного вимкнення з інтервалами часу від 30 хвилин до 9 годин. Послідовно натискаючи кнопку таймера, виберіть інтервал часу від 30 хвилин до 9 годин: 30 – 1Н – 2Н – 3Н – 4Н – 5Н – 6Н – 7Н – 8Н – 9Н. Коли таймер активовано, на цифровому дисплеї відображається



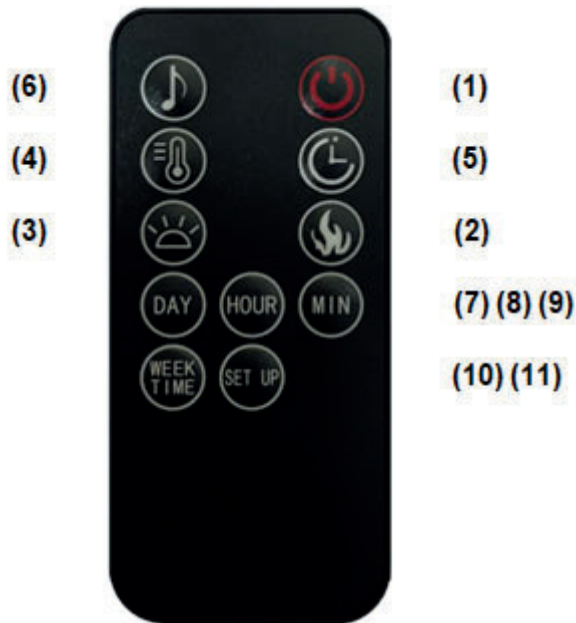
Пульт дистанційного керування

Керування пристроєм за допомогою пульта дистанційного керування здійснюється так само як і за допомогою кнопок панелі керування, розташованої на передній частині пристрою. Щоб дізнатися більше про керування пристроєм за допомогою кнопок панелі керування, перегляньте розділ "Керування" інструкції.

Елементи пульта дистанційного керування:

- кнопка ввімкнення/вимкнення (1),
- кнопка кольору полум'я (2),
- кнопка кольору підсвічування дров (3),
- кнопка режиму обігріву (4),
- кнопка таймера (5),
- кнопка імітації звуку горіння дров (6),

– кнопки годинника і тижневого таймера (7, 8, 9, 10, 11).



Керування функцією імітації звуку горіння дров (6)

Натисніть кнопку (6) на пульті дистанційного керування, щоб увімкнути/вимкнути імітацію звуку горіння дров. На цифровому дисплеї відображається "51", коли імітацію звуку горіння дров увімкнено, і "50", коли імітацію звуку горіння дров вимкнено.

Функція годинника (7, 8, 9)

Натисніть кнопку (7) на пульті дистанційного керування, щоб встановити поточний день тижня, і за допомогою кнопок (8) для годин і (9) для хвилин встановіть поточний час.

Поточний день тижня і час відображаються на цифровому дисплеї під час його активації.

При відключенні пристрою від мережі налаштування годинника скидаються.

Функція тижневого таймера (8, 9, 10, 11)

Функція тижневого таймера дає можливість налаштувати автоматичне увімкнення/вимкнення пристрою у режимі обігріву для одного заданого інтервалу часу протягом дня за тижневим циклом (MON – TUE – WED – THU – FRI – SAT – SUN) в межах налаштувань обігріву, які востаннє були встановлені вручну.

Натисніть кнопку (10) на пульті дистанційного керування, щоб активувати функцію тижневого таймера. За допомогою кнопок (8) для годин і (9) для хвилин встановіть час увімкнення режиму обігріву в понеділок. Натисніть кнопку (11), щоб перейти до налаштування часу вимкнення режиму обігріву в понеділок. За допомогою кнопок (8) для годин і (9) для хвилин встановіть час вимкнення режиму обігріву в понеділок. Натисніть кнопку (10), щоб продовжити налаштування часу увімкнення/вимкнення режиму обігріву для наступного дня.

Аналогічно встановіть інтервали часу для решти днів.

Якщо не натискати кнопки функції тижневого таймера понад три секунди, то відбудеться вихід з режиму налаштування функції тижневого таймера і підтвердження попередніх налаштувань.

Щоб переглянути налаштування функції тижневого таймера, послідовно натискайте кнопку (10) для відображення часу увімкнення режиму обігріву для кожного дня; використовуйте кнопку (11) для відображення часу вимкнення режиму обігріву; щоб змінити налаштування функції тижневого таймера, використовуйте кнопки (8) для годин і (9) для хвилин.

Щоб вимкнути тижневий таймер у певний день тижня, встановіть 00:00 для часу увімкнення та вимкнення режиму обігріву.

Щоб деактивувати функцію тижневого таймера вручну, від'єднайте пристрій від розетки живлення та увімкніть його знову.

Щоб покращити роботу пульта дистанційного керування наводьте його на передню частину пристрою. Уникайте потрапляння прямого сонячного проміння на модуль інфрачервоного приймача на панелі керування.

Не натискайте на кнопки пульта дистанційного керування надто сильно або часто. Дайте трохи часу, щоб пристрій виконав команду.

Обережно поводьтеся з пультом дистанційного керування. Не кидайте його, не наступайте на нього та стежте за тим, щоб на пульт дистанційного керування не потрапляла волога.

Пульт дистанційного керування постачається з батарейкою. Код батарейки – CR2025 3V.

Перед першим використанням пульта дистанційного керування зніміть ізоляційну плівку з батарейки.

Вставляючи батарейку, слідкуйте, щоб полярність батарейки відповідала позначкам всередині відсіку для батарейки пульта дистанційного керування.

Вийміть батарейку з пульта дистанційного керування, якщо не збираєтеся використовувати його протягом тривалого часу.

Вчасно замінійте батарейку в пульті дистанційного керування.

Намагайтесь не використовувати акумуляторні батарейки.

ДОГЛЯД ТА ОБСЛУГОВУВАННЯ



ПОПЕРЕДЖЕННЯ! Перед чищенням завжди від'єднуйте пристрій від електромережі. Спочатку вимкніть пристрій за допомогою елементів керування, а потім вийміть штепсельну вилку з розетки живлення.



ПОПЕРЕДЖЕННЯ! Не використовуйте пристрій, якщо будь-яка його частина була під водою. негайно зверніться до кваліфікованого фахівця для перевірки справності пристрою.



ПОПЕРЕДЖЕННЯ! Перед чищенням пристрою переконайтесь, що він повністю охолов.

Мотори вентилятора обігріву та механізму, що забезпечує роботу режиму імітації полум'я, попередньо змащені для тривалого використання та не потребують додаткового змащування або технічного обслуговування.

Щоб прибрати скупчення пилу, пуху, комах тощо та очистити випускні решітку вентилятора обігрівача використовуйте м'які щітки або насадки для пилососа.

Для витирання пилу використовуйте м'яку чисту ганчірку, щоб не подряпати поверхню пристрою.

Для чищення поверхні пристрою використовуйте вологу ганчірку (не мокру). Не використовуйте побутові абразивні засоби для чищення, тому що вони пошкодять поверхню пристрою.

Для чищення скляної панелі пристрою використовуйте неабразивну вологу ганчірку (не мокру) та у разі потреби рідкий очищувач або рідке мило. Не використовуйте чистячі порошки або інші засоби з абразивними речовинами, тому що вони подряпають скляну панель пристрою.

Ніколи не використовуйте пристрій з пошкодженою або тріснутою скляною панеллю.

Не вдаряйте та не кидайте скляну панель пристрою.

Перед під'єднанням пристрою до електромережі переконайтесь, що він повністю висох.

Якщо пристрій не використовується, від'єднайте шнур живлення від розетки живлення, щоб запобігти пошкодженню пристрою або випадковому від'єднанню шнура живлення.

УТИЛІЗАЦІЯ



Матеріали пакування пристрою піддаються переробленню для повторного використання. Будь ласка, не викидайте пакувальні матеріали разом з побутовим сміттям, здайте їх до відповідного пункту збору вторсировини.



Після закінчення терміну служби пристрій має бути утилізований. Пристрій містить цінні матеріали, що можуть використовуватись повторно. Будь ласка, не викидайте пристрій разом з побутовим сміттям, здайте його до відповідного пункту збору старого електрообладнання.

Будь ласка, не викидайте використані батарейки з пульта дистанційного керування разом з побутовим сміттям, здайте їх до відповідного пункту збору використаних елементів живлення.

УСУНЕННЯ НЕСПРАВНОСТЕЙ

Проблема	Вирішення
Пристрій не вмикається.	Перевірте чи приєднано пристрій до електромережі. Натисніть кнопку ввімкнення/вимкнення на панелі керування.
Індикатор показує, що пристрій увімкнений, але полум'я відсутнє.	Відкрийте задню панель та перевірте чи не випав шпindel полум'я із мотора механізму, який забезпечує роботу режиму імітації полум'я.
У режимі обігріву не подається тепле повітря.	Переконайтесь, що встановлена температура режиму обігріву перевищує температуру в приміщенні. Увімкніть / вимкніть кнопку режиму обігріву кілька разів, щоб переконатися, що режим обігріву увімкнений.
Режим обігріву не працює.	Вимкніть усі режими роботи пристрою та від'єднайте пристрій від електромережі на 5 хвилин. Через 5 хвилин під'єднайте пристрій до електромережі та використовуйте як зазвичай.
На цифровому дисплеї відображається помилка "E1".	Від'єднайте пристрій від електромережі на 5 хвилин. Через 5 хвилин під'єднайте пристрій до електромережі та використовуйте як зазвичай.
Пульт дистанційного керування не працює.	Зніміть ізоляційну плівку з батарейки. / Піднесіть пульт дистанційного керування ближче до пристрою. / Замініть батарейку в пульті дистанційного керування.

ДЕКЛАРАЦІЯ ПРО ВІДПОВІДНІСТЬ



Цей пристрій відповідає таким європейським директивам: 2014/35/EU (LVD), 2014/30/EU (EMC), 2009/125/EC (ERP), 2011/65/EU (RoHS).

ІНФОРМАЦІЙНИЙ АРКУШ ПРОДУКТУ

Ідентифікатор(и) моделі: AF24 MULTICOLOR, AF38 MULTICOLOR, AF58 MULTICOLOR					
Показник	Символ	Значення	Одиниця вимірювання	Показник	Одиниця вимірювання
Тепловіддача			Тип споживання тепла, лише для електричних акумуляційних місцевих обігрівачів		
Номінальна теплова потужність	P_{nom}	1,8	кВт	ручне керування зарядом тепла, з вбудованим термостатом	н/д
Мінімальна теплова потужність (орієнтовна)	P_{min}	0,9	кВт	ручне керування зарядом тепла з отриманням інформації про температуру в приміщенні та/або температуру зовнішнього повітря	н/д
Максимальна безперервна теплова потужність	$P_{max,c}$	1,8	кВт	електронне керування зарядом тепла з отриманням інформації про температуру в приміщенні та/або температуру зовнішнього повітря	н/д
Допоміжне споживання електроенергії			вентиляторна тепловіддача		
За номінальної теплової потужності			eI_{max}	н/д	кВт
Тип тепловіддачі/тип терморегулятора					
За мінімальної теплової потужності	eI_{min}	н/д	кВт	однорівневий обігрів, без терморегулятора	[ні]
У режимі очікування	eI_{sb}	0,7	Вт	два чи більше ручних рівні, без терморегулятора	[ні]
				з механічним термостатичним терморегулятором	[ні]
				з електронним терморегулятором	[ні]
				з електронним терморегулятором і добовим таймером	[ні]
				з електронним терморегулятором і тижневим таймером	[так]
Інші варіанти керування					
				терморегулятор з детектором присутності	[ні]
				терморегулятор з детектором відкритих вікон	[так]
				з опцією дистанційного керування	[ні]
				з адаптивним керуванням запуску	[ні]
				з обмеженням часу роботи	[ні]
				із сенсором температури	[ні]
Контактні дані	ARTIFLAME Sp. z o.o., Grabie 37, 32-002 Węgrzce Wielkie, Польща				

ГАРАНТІЙНІ ЗОБОВ'ЯЗАННЯ

Увага! При купівлі або отриманні виробу перевіряйте його неушкодженість, комплектність та справність, а також наявність інструкції з експлуатації.

Умови гарантійного обслуговування

Гарантійний термін експлуатації виробу складає 12 (дванадцять) місяців від дати продажу або отримання за наявності товарного або касового/фіскального або транспортного документа із зазначенням дати продажу або отримання виробу. Покупець має право на гарантійний ремонт виробу протягом гарантійного терміну, якщо він вийшов з ладу через дефекти матеріалів або виробництва. Зазначений вище гарантійний термін поширюється тільки на вироби, що використовуються в особистих, сімейних або домашніх цілях, не пов'язаних з підприємницькою діяльністю.

Покупець втрачає право на гарантійний ремонт у разі:

- Порушення правил встановлення та використання, наведених в інструкції з експлуатації.
- Використання виробу не за призначенням.
- Неправильного під'єднання виробу до електромережі.
- Якщо несправності виробу викликані неправильним зберіганням або механічними ушкодженнями під час транспортування або використання.
- Якщо виріб має сильне забруднення як внутрішнє, так і зовнішнє, іржу.
- Якщо виріб має сліди самостійного відкриття/ремонту або піддавався конструктивним змінам.
- Якщо використання приладу тривало після появи несправності та не було припинене.
- Наявності сторонніх предметів, рідин, речовин або комах усередині виробу.
- Якщо з виробу вилучена маркувальна етикетка/табличка.
- Нормального зношення частин виробу внаслідок надмірної експлуатації. Рівномірне зношення деталей за відсутності заводських дефектів не надає право на їхню заміну по гарантії.
- Пошкоджень, викликаних стихійним лихом (пожежа, повінь тощо) або побутовими факторами (перевантаження, перепад напруги, вимкнення електроенергії тощо).

Гарантія не поширюється на лампи.

Найменування виробу:	
Модель:	
Дата продажу:	
Найменування продавця:	
Підпис продавця, печатка (штамп) продавця:	
Комплектність виробу перевірів/перевірила, претензій не маю, з умовами гарантійного обслуговування згоден/згодна:	
	Підпис покупця

Увага! Заповнювати цю таблицю не потрібно у разі наявності товарного або касового/фіскального або транспортного документа із зазначенням дати продажу або отримання виробу.

З усіх питань щодо гарантійного обслуговування на території України звертатись до уповноваженого сервісного центру за телефоном: +380 68 283 23 39.

РУССКИЙ

Примечание:

Это изделие подходит только для хорошо изолированных помещений или нерегулярного использования.

СОДЕРЖАНИЕ

Общая информация
Комплектация
Техническая информация
Правила безопасности
Установка
Управление
Уход и обслуживание
Утилизация
Устранение неисправностей
Декларация о соответствии
Информационный лист продукта
Гарантийные обязательства

ОБЩАЯ ИНФОРМАЦИЯ

Уважаемый покупатель!

Благодарим Вас за выбор электрического камина ArtiFlame – бытового электрического устройства предназначенного для обогрева помещения с функцией имитации пламени.

Соответствие стандартам качества, функциональность и дизайн устройства гарантируют Вам надежность и удобство в его использовании.

При условии квалифицированной установки и правильного использования устройство прослужит вам долгие годы.

Устройство встраивается в каминный портал, корпусную мебель, нишу стены, гипсокартонный модуль или другое специально подготовленное обрамление.

Пожалуйста, внимательно прочитайте инструкцию по эксплуатации перед установкой и первым применением устройства.

Храните инструкцию в доступном месте в течение всего срока использования устройства или для следующего владельца.

Примечания:

В тексте инструкции электрический камин встраиваемый с обогревом может иметь следующие названия: устройство, прибор, изделие, продукт, обогреватель, электрокамин, камин и т.д.

Производитель оставляет за собой право без предварительного уведомления изменять дизайн, конструкцию, комплектацию и технические характеристики устройства с целью улучшения его свойств.

В тексте, цифровых обозначениях и на рисунках инструкции возможны технические ошибки и опечатки.

КОМПЛЕКТАЦИЯ

Электрический камин встраиваемый с обогревом – 1 шт.

Пульт дистанционного управления – 1 шт.

Инструкция по эксплуатации с разделом по гарантийным обязательствам – 1 шт.

AF24 MULTICOLOR / AF38 MULTICOLOR

AF58 MULTICOLOR

Монтажные кронштейны – 4 шт.

Винты – 4 шт.

Винты – 16 шт.

ТЕХНИЧЕСКАЯ ИНФОРМАЦИЯ

Площадь обогрева: до 30 кв.м

Номинальное напряжение: 220-240 вольт

Номинальная частота: 50 герц

Номинальная потребляемая мощность: 900 / 1800 ватт

Класс защиты от поражения электрическим током: класс I

Дата изготовления: указана на устройстве

Срок службы: неограниченный

AF24 MULTICOLOR

Диагональ очага: 24 дюйма

Масса нетто: 11 кг

Габаритные размеры (ширина x высота x глубина), мм: 612 x 500 x 190

Размеры проема (ширина x высота), мм: 585 x 480

AF38 MULTICOLOR

Диагональ очага: 38 дюймов

Масса нетто: 15,5 кг

Габаритные размеры (ширина x высота x глубина), мм: 993 x 414 x 190

Размеры проема (ширина x высота), мм: 966 x 395

AF58 MULTICOLOR

Диагональ очага: 58 дюймов

Масса нетто: 24,8 кг

Габаритные размеры (ширина x высота x глубина), мм: 1482 x 425 x 190

Размеры проема (ширина x высота), мм: 1440 x 414

Внимание! При использовании устройства в помещении с низким уровнем фонового шума можно услышать звук работы механизма, который обеспечивает функционирование режима имитации пламени. Это нормально и не должно вызывать беспокойства.

ПРАВИЛА БЕЗОПАСНОСТИ

Пользователь несет полную ответственность за квалифицированную установку устройства и за свою безопасность во время его эксплуатации.



ВНИМАНИЕ! Важная информация и полезные советы по эксплуатации устройства.

Соблюдайте стандартные правила безопасности, в частности указания, предостережения и предупреждения, приведенные в инструкции, для безопасной эксплуатации устройства и во избежание возгорания, поражения электрическим током или травмирования.

Устанавливайте и используйте устройство с соблюдением местных правил эксплуатации электрических сетей и других строительных норм.

Перед установкой и использованием устройства убедитесь, что напряжение питания, указанное на нем, соответствует напряжению электросети в помещении.

После установки устройства должен быть обеспечен свободный доступ к его штепсельной вилке.

Одновременное использование устройства в режиме обогрева с другими мощными электроприборами в одной электроцепи может привести к срабатыванию предохранителя в устройстве или в домашней электросети.

Используйте устройство в хорошо вентилируемом помещении.

После первого использования устройства в режиме обогрева может появиться слабый безвредный запах. Это связано с началом эксплуатации внутренних нагревательных элементов и не должно вызывать беспокойства, ведь такой запах быстро пройдет.

Устройство оборудовано функцией тепловой защиты. В случае перегрева устройство самостоятельно выключится, чтобы избежать его повреждения или риска возникновения пожара. После остывания устройства его можно снова включить.

Устройство предназначено только для обычного домашнего использования, не допускается использовать его в промышленных целях.

Неквалифицированная установка устройства может привести к возникновению значительной опасности. Если невозможно самостоятельно подключить устройство к электросети или возникли сомнения относительно исправности устройства, необходимо обратиться за помощью к квалифицированному электрику.

Устройство не содержит деталей, которые обслуживаются пользователем.

Не направляйте прямой поток горячего воздуха из устройства на растения и животных.



ПРЕДУПРЕЖДЕНИЯ, которые следует соблюдать, чтобы избежать повреждения устройства.

Не используйте устройство вне помещения.

Не включайте устройство сразу после перевозки или хранения на холоде. Перед включением выдержите его при комнатной температуре не менее 3-х часов, чтобы избежать повреждений из-за образования конденсата на внутренних частях устройства.

Для перемещения устройства используйте ручки, если они предусмотрены конструкцией.

Не включайте устройство в упаковке.

Устройство не предназначено для применения в ванных комнатах, прачечных и любых помещениях с повышенной влажностью. Никогда не размещайте устройство в местах, где существует риск его попадания в ванну или любую емкость с водой.

Не устанавливайте и не используйте устройство непосредственно под розеткой питания.

Не размещайте шнур питания под ковровым или любым другим покрытием, в проходах или другим способом, повышающим риск его повреждения. Размещайте шнур питания так, чтобы не споткнуться о него.

Всегда включайте устройство непосредственно в розетку питания, не используя шнур-удлинитель или адаптер.

Включайте устройство только в заземленную розетку питания.

Не используйте устройство со скрученным шнуром питания.

Во время эксплуатации устройства следите за тем, чтобы шнур питания не касался нагретых поверхностей.

Всегда отсоединяйте устройство от электросети, если оно не используется.

Чтобы полностью обесточить устройство, сначала выключите его с помощью элементов управления, а затем выньте штепсельную вилку из розетки питания.

Не используйте устройство для сушки одежды.

Не размещайте устройство рядом с отопительными приборами.

Не используйте устройство с автоматическим таймером или любым другим техническим средством, обеспечивающим автоматическое включение/выключение устройства или электроцепи, к которой оно подключено.



ПРЕДУПРЕЖДЕНИЯ, которые необходимо тщательно соблюдать, чтобы избежать телесных повреждений.

Используйте устройство исключительно по назначению и в соответствии с инструкцией. Использование устройства способом, не предусмотренным инструкцией, может привести к возгоранию, поражению электрическим током или травмированию, а также прекращение действия гарантии.

Запрещено использовать устройство детям, лицам с ограниченными физическими, сенсорными или умственными способностями, а также лицам, не имеющим соответствующих знаний и опыта, если они не находятся под контролем человека, ответственного за их безопасность, или их как следует не проинструктировали по использованию устройства.

Не оставляйте детей без присмотра возле включенного устройства.

Не позволяйте детям играть с устройством и упаковочными материалами.

Будьте особенно внимательны при использовании устройства в присутствии детей и людей с инвалидностью, а также когда оставляете его включенным без присмотра.

Не используйте устройство в незакрепленном положении. Устройство всегда должно быть надежно закреплено в каминном портале, корпусной мебели, нише стены, гипсокартонном модуле или другом специально подготовленном обрамлении.

Не допускайте попадания воды на устройство.

Не включайте устройство, если на любую его часть попала вода.

Если устройство упало в воду, немедленно выньте штепсельную вилку из розетки питания, не прикасаясь к устройству или воде.

Не прикасайтесь к включенному устройству мокрыми руками.

Устройство нагревается во время эксплуатации. Во избежание получения ожогов не касайтесь его горячих поверхностей.

Ни в коем случае не накрывайте включенное устройство.

Во избежание перегрева и возгорания никогда не закрывайте выпускную решетку, предназначенную для вентиляции устройства и оттока горячего воздуха от обогревателя.

Не устанавливайте устройство на мягких поверхностях (кроватях, диванах, коврах и т.д.) с ограниченной циркуляцией воздуха.

Не допускайте попадания посторонних предметов внутрь устройства, в вентиляционные решетки и отверстия.

Легковоспламеняющиеся предметы (мебель, подушки, постель, бумага, одежда, шторы и т. п.) держите на расстоянии не менее 1-го метра от переднего края устройства. Избегайте размещения таких предметов сзади и с обеих сторон от устройства.

Внутри устройства имеются раскаленные и искрящие части. Не используйте и не храните вблизи устройства нефтепродукты, краски, аэрозоли и другие легковоспламеняющиеся вещества и материалы.

Перед перемещением выключите устройство и дайте ему остыть.

Вынимая штепсельную вилку из розетки питания, не тяните за шнур – держитесь за саму вилку.

Не разбирайте и не изменяйте конструкцию устройства.

Не используйте устройство с поврежденным шнуром питания, штепсельной вилкой, после падения или при нарушениях в работе.

В случае появления из устройства дыма, искрения, сильного запаха горелой изоляции, немедленно прекратите его использование и вытащите штепсельную вилку из розетки питания.

В случае поломки или повреждения устройства не пытайтесь отремонтировать его самостоятельно. Обратитесь к квалифицированному электрику для проверки исправности устройства, электрической и механической настройки устройства.

УСТАНОВКА



ПРЕДУПРЕЖДЕНИЕ! Будьте осторожны с острыми краями и углами устройства.



ПРЕДУПРЕЖДЕНИЕ! Устанавливайте устройство вдвоем, чтобы избежать травм и повреждений.

Устройство следует использовать, встроив в обрамление соответствующего размера (каминный портал, корпусную мебель, нишу стены, гипсокартонный модуль и т.д.).

Для обеспечения надлежащей вентиляции сделайте зазоры не менее 50 мм сверху и сзади устройства, создав воздушный слой между устройством и элементами обрамления.

Не рекомендуется устанавливать устройство вблизи сильных источников света, чтобы не ухудшить качество эффектов режима имитации пламени.

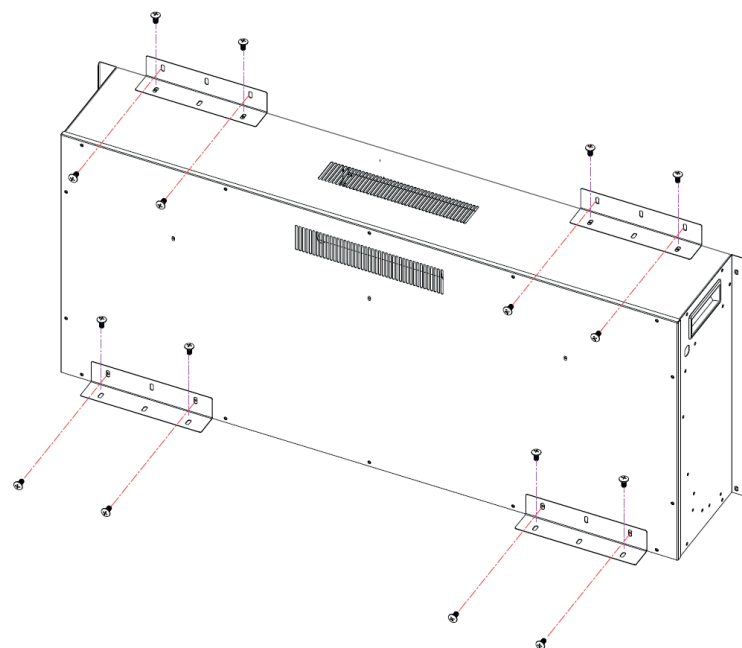
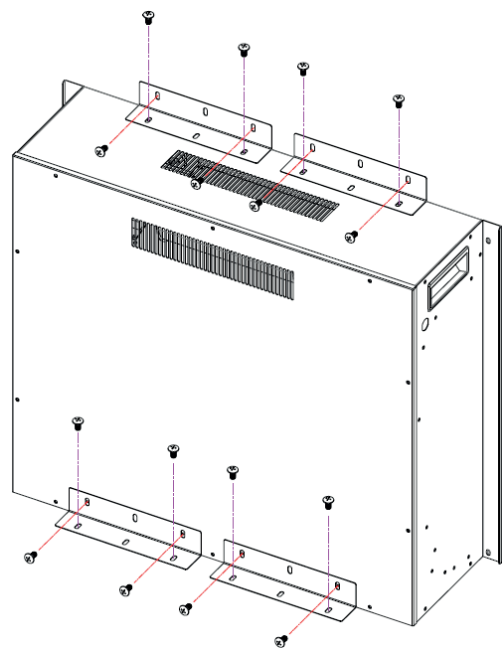
Осторожно достаньте устройство из упаковки. Сохраните упаковку, чтобы при необходимости использовать ее в дальнейшем для безопасной транспортировки устройства.

Перед окончательной установкой устройства выполните пробное включение, при этом используя соответствующую розетку питания.

Устройство устанавливается в обрамление изнутри. Вставьте устройство с задней части обрамления и осторожно сдвиньте его, чтобы рамка камина встала в проем. Не пытайтесь устанавливать устройство с передней части обрамления – оно не станет в проем.

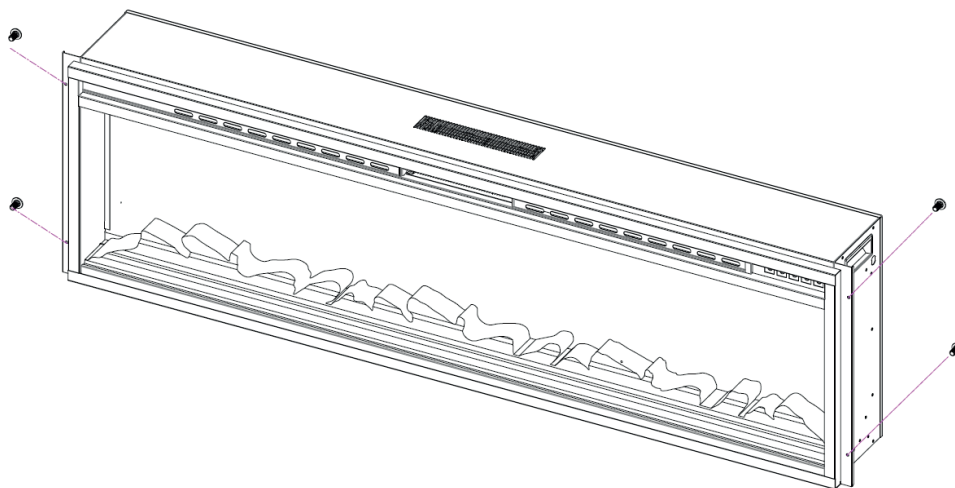
AF24 MULTICOLOR / AF38 MULTICOLOR

Выровняйте и закрепите устройство в обрамлении с помощью монтажных кронштейнов и винтов, вкручивая их сквозь имеющиеся на монтажных кронштейнах и устройстве отверстия.



AF58 MULTICOLOR

Выровняйте и закрепите устройство в обрамлении с помощью винтов, вкручивая их сквозь имеющиеся на крепежных планках отверстия.



Для обеспечения безопасности устройство должно быть надежно установлено и закреплено в обрамлении так, чтобы оно не двигалось во время использования.

УПРАВЛЕНИЕ

Управление устройством осуществляется как с кнопочной панели, так и с пульта дистанционного управления.

Примечание:

Устройство не предназначено для использования только в режиме обогрева без эффектов режима имитации пламени.

Цифровой дисплей и индикатор функций

На цифровом дисплее и индикаторе функций отображается информация о выбранных настройках.



Панель управления

Панель управления расположена в верхнем правом углу передней части устройства. Элементы панели управления:

- кнопка включения/выключения (1),
- кнопка цвета пламени (2),
- кнопка цвета подсветки дров (3),
- кнопка режима обогрева (4),
- кнопка таймера (5).



Управление включением/выключением устройства (1)

Чтобы включить или выключить устройство, нажмите кнопку включения/выключения. Нажмите кнопку включения/выключения один раз, чтобы включить устройство. Нажмите кнопку включения/выключения еще раз, чтобы выключить устройство.

Управление цветом пламени (2)



Нажмите кнопку (2) чтобы установить цвет пламени: F1 (микс оранжевого и синего) – F2 (оранжевый) – F3 (синий) – F4 (циклический / плавное автоматическое изменение цвета пламени).

Управление цветом подсветки дров (3)

Нажмите кнопку (3) чтобы установить цвет подсветки дров: L1 (оранжевый) – L2 (синий) – L3 (розовый) – L4 (циклический с желтым дополнительно / плавное автоматическое изменение цвета подсветки дров).

Управление режимом обогрева (4)

Режим обогрева включается или выключается кнопкой режима обогрева.

Нажатие кнопки режима обогрева	Состояние обогрева	Значение на цифровом дисплее
Первое нажатие	Обогрев выключен	00
Второе нажатие	Непрерывный обогрев на низкой мощности – 900 ватт	Lo 
Третье нажатие	Непрерывный обогрев на высокой мощности – 1800 ватт	Hi 
Четвертое нажатие	Обогрев выключен	00

Чтобы войти или выйти из режима установки температуры, при включенном режиме обогрева нажмите и удерживайте кнопку режима обогрева в течение трех секунд. С помощью кнопки режима обогрева установите желаемую температуру в помещении от 17 °C до 27 °C по Цельсию (от 62 °F до 82 °F по Фаренгейту) или "oN" для непрерывного обогрева. Уровень мощности (низкий / высокий) зависит от мощности обогрева, выбранной при включении режима обогрева. Если задана температура обогрева, то на цифровом дисплее отображается "AUTO". Режим обогрева автоматически выключится, когда температура в помещении достигнет установленного значения, и автоматически включится, когда температура в помещении опустится ниже установленного значения. Убедитесь, что устанавливаемая температура режима обогрева превышает температуру в помещении, иначе режим обогрева может не включиться или будет работать некорректно.

Чтобы изменить шкалу отображения температуры между Цельсием (C) и Фаренгейтом (F), при включенном режиме обогрева осторожно нажмите и удерживайте кнопку цвета пламени (2) в течение трех секунд.

Устройство имеет функцию обнаружения открытого окна. Если в течение 5 минут температура в помещении уменьшится на 3 градуса ниже установленного значения, устройство прекратит подачу тепла, звуковой сигнал прозвучит 5 раз и на цифровом дисплее отобразится:



Примечание:

После выключения режима обогрева вентилятор обогревателя может работать в течение некоторого времени для охлаждения внутренних элементов устройства.

Функция таймера (5)

Устройство оборудовано таймером самостоятельного выключения с интервалами времени от 30 минут до 9 часов. Последовательно нажимая кнопку таймера, выберите интервал времени от 30 минут до 9 часов: 30 – 1Н – 2Н – 3Н – 4Н – 5Н – 6Н – 7Н – 8Н – 9Н. Когда таймер активирован, на цифровом дисплее отображается:

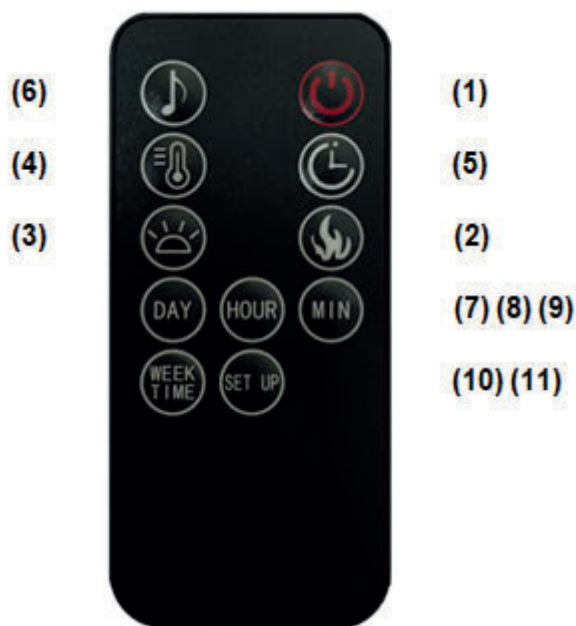


Пульт дистанционного управления

Управление устройством с помощью пульта дистанционного управления осуществляется так же как и с помощью кнопок панели управления, расположенной на передней части устройства. Чтобы узнать больше об управлении устройством с помощью кнопок панели управления, просмотрите раздел "Управление" инструкции.

Элементы пульта дистанционного управления:

- кнопка включения/выключения (1),
- кнопка цвета пламени (2),
- кнопка цвета подсветки дров (3),
- кнопка режима обогрева (4),
- кнопка таймера (5),
- кнопка имитации звука горения дров (6),
- кнопки часов и недельного таймера (7, 8, 9, 10, 11).



Управление функцией имитации звука горения дров (6)

Нажмите кнопку (6) на пульте дистанционного управления, чтобы включить/выключить имитацию звука горения дров. На цифровом дисплее отображается "51", когда имитация звука горения дров включена, и "50", когда имитация звука горения дров выключена.

Функция часов (7, 8, 9)

Нажмите кнопку (7) на пульте дистанционного управления, чтобы установить текущий день недели, и с помощью кнопок (8) для часов и (9) для минут установите текущее время.

Текущий день недели и время отображаются на цифровом дисплее при его активации.

При отключении устройства от сети настройки часов сбрасываются.

Функция недельного таймера (8, 9, 10, 11)

Функция недельного таймера дает возможность настроить автоматическое включение/выключение устройства в режиме обогрева для одного заданного интервала времени в течение дня по недельному циклу (MON – TUE – WED – THU – FRI – SAT – SUN) в пределах настроек обогрева, которые последний раз были установлены вручную.

Нажмите кнопку (10) на пульте дистанционного управления, чтобы активировать функцию недельного таймера. С помощью кнопок (8) для часов и (9) для минут установите время включения режима обогрева в понедельник. Нажмите кнопку (11), чтобы перейти к настройке времени выключения режима обогрева в понедельник. С помощью кнопок (8) для часов и (9) для минут установите время выключения режима обогрева в понедельник.

Нажмите кнопку (10), чтобы продолжить настройку времени включения/выключения режима обогрева для следующего дня.

Аналогично установите интервалы времени для остальных дней.

Если не нажимать кнопки функции недельного таймера более трех секунд, то произойдет выход из режима настройки функции недельного таймера и подтверждение предыдущих настроек.

Чтобы просмотреть настройки функции недельного таймера, последовательно нажимайте кнопку (10) для отображения времени включения режима обогрева для каждого дня; используйте кнопку (11) для отображения времени выключения режима обогрева; чтобы изменить настройки функции недельного таймера, используйте кнопки (8) для часов и (9) для минут.

Чтобы отключить недельный таймер в определенный день недели, установите 00:00 для времени включения и выключения режима обогрева.

Чтобы деактивировать функцию недельного таймера вручную, отсоедините устройство от розетки питания и включите его снова.

Для улучшения работы пульта дистанционного управления наводите его на переднюю часть устройства. Избегайте попадания прямых солнечных лучей на модуль инфракрасного приемника на панели управления.

Не нажимайте на кнопки пульта дистанционного управления слишком сильно или часто. Дайте немного времени, чтобы устройство выполнило команду.

Будьте осторожны с пультом дистанционного управления. Не бросайте его, не наступайте на него и следите за тем, чтобы на пульт дистанционного управления не попадала влага.

Пульт дистанционного управления поставляется с батареей. Код батарейки – CR2025 3V.

Перед первым использованием пульта дистанционного управления снимите изоляционную пленку с батарейки.

Вставляя батарейку, следите, чтобы полярность батарейки соответствовала отметкам внутри отсека для батарейки пульта дистанционного управления.

Извлеките батарейку из пульта дистанционного управления, если не собираетесь использовать его в течение длительного времени.

Вовремя заменяйте батарейку в пульте дистанционного управления.

Старайтесь не использовать аккумуляторные батарейки.

УХОД И ОБСЛУЖИВАНИЕ



ПРЕДУПРЕЖДЕНИЕ! Перед чисткой всегда отсоединяйте устройство от электросети. Сначала выключите устройство с помощью элементов управления, а затем выньте штепсельную вилку из розетки питания.



ПРЕДУПРЕЖДЕНИЕ! Не используйте устройство, если какая-либо его часть была под водой. Немедленно обратитесь к квалифицированному специалисту для проверки исправности устройства.



ПРЕДУПРЕЖДЕНИЕ! Перед чисткой устройства убедитесь, что оно полностью остыло.

Моторы вентилятора обогрева и механизма, обеспечивающего работу режима имитации пламени, предварительно смазаны для длительного использования и не требуют дополнительной смазки или технического обслуживания.

Чтобы убрать скопления пыли, пуха, насекомых и т.д. и очистить выпускную решетку вентилятора обогревателя используйте мягкие щетки или насадки для пылесоса.

Для вытирания пыли используйте мягкую чистую тряпку, чтобы не поцарапать поверхность устройства.

Для чистки поверхности устройства используйте влажную тряпку (не мокрую). Не используйте бытовые абразивные чистящие средства, так как они повредят поверхность устройства.

Для чистки стеклянной панели устройства используйте неабразивную влажную тряпку (не мокрую) и при необходимости жидкий очиститель или жидкое мыло. Не используйте чистящие порошки или другие средства с абразивными веществами, так как они поцарапают стеклянную панель устройства.

Никогда не используйте устройство с поврежденной или треснувшей стеклянной панелью.

Не ударяйте и не бросайте стеклянную панель устройства.

Перед подключением устройства к электросети убедитесь, что оно полностью высохло.

Если устройство не используется, отсоедините шнур питания от розетки, чтобы предотвратить повреждение устройства или случайное отсоединение шнура питания.

УТИЛИЗАЦИЯ



Материалы упаковки устройства поддаются переработке для повторного использования. Пожалуйста, не выбрасывайте упаковочные материалы вместе с бытовым мусором, сдайте их в соответствующий пункт сбора вторсырья.



После окончания срока службы устройство должно быть утилизировано. Устройство содержит ценные материалы, которые могут быть использованы повторно. Пожалуйста, не выбрасывайте устройство вместе с бытовым мусором, сдайте его в соответствующий пункт сбора старого электрооборудования.

Пожалуйста, не выбрасывайте использованные батарейки из пульта дистанционного управления вместе с бытовым мусором, сдайте их в соответствующий пункт сбора использованных элементов питания.

УСТРАНЕНИЕ НЕИСПРАВНОСТЕЙ

Проблема	Решение
Устройство не включается.	Проверьте, подключено ли устройство к электросети. Нажмите кнопку включения/выключения на панели управления.
Индикатор показывает, что устройство включено, но пламя отсутствует.	Откройте заднюю панель и проверьте, не выпал ли шпindel пламени из мотора механизма, который обеспечивает работу режима имитации пламени.
В режиме обогрева не подается теплый воздух.	Убедитесь, что установленная температура режима обогрева превышает температуру в помещении. Несколько раз включите/выключите кнопку режима обогрева, чтобы убедиться, что режим обогрева включен.
Режим обогрева не работает.	Выключите все режимы работы устройства и отсоедините устройство от электросети на 5 минут. Через 5 минут подключите устройство к электросети и используйте как обычно.
На цифровом дисплее отображается ошибка "E1".	Отключите устройство от электросети на 5 минут. Через 5 минут подключите устройство к электросети и используйте как обычно.
Пульт дистанционного управления не работает.	Снимите изоляционную пленку с батарейки. / Поднесите пульт дистанционного управления ближе к устройству. / Замените батарейку в пульте дистанционного управления.

ДЕКЛАРАЦИЯ О СООТВЕТСТВИИ



Данное устройство соответствует следующим европейским директивам: 2014/35/EU (LVD), 2014/30/EU (EMC), 2009/125/EC (ERP), 2011/65/EU (RoHS).

ИНФОРМАЦИОННЫЙ ЛИСТ ПРОДУКТА

Идентификатор(ы) модели: AF24 MULTICOLOR, AF38 MULTICOLOR, AF58 MULTICOLOR					
Показатель	Символ	Значение	Единица измерения	Показатель	Единица измерения
Теплоотдача				Тип потребления тепла, только для электрических аккумуляционных местных обогревателей	
Номинальная тепловая мощность	P_{nom}	1,8	кВт	ручное управление зарядом тепла, со встроенным термостатом	н/д
Минимальная тепловая мощность (ориентировочная)	P_{min}	0,9	кВт	ручное управление зарядом тепла с получением информации о температуре в помещении и/или температуре наружного воздуха	н/д
Максимальная непрерывная тепловая мощность	$P_{max,c}$	1,8	кВт	электронное управление зарядом тепла с получением информации о температуре в помещении и/или температуре наружного воздуха	н/д
Вспомогательное потребление электроэнергии				вентиляторная теплоотдача	н/д
При номинальной тепловой мощности	eI_{max}	н/д	кВт	Тип теплоотдачи/тип терморегулятора	
При минимальной тепловой мощности	eI_{min}	н/д	кВт	одноуровневый обогрев, без терморегулятора	[нет]
В режиме ожидания	eI_{sb}	0,7	Вт	два или более ручных уровня, без терморегулятора	[нет]
				с механическим термостатическим терморегулятором	[нет]
				с электронным терморегулятором	[нет]
				с электронным терморегулятором и суточным таймером	[нет]
				с электронным терморегулятором и недельным таймером	[да]
Другие варианты управления					
				терморегулятор с детектором присутствия	[нет]
				терморегулятор с детектором открытых окон	[да]
				с опцией дистанционного управления	[нет]
				с адаптивным управлением запуска	[нет]
				с ограничением времени работы	[нет]
				с сенсором температуры	[нет]
Контактные данные	ARTIFLAME Sp. z o.o., Grabie 37, 32-002 Węgrzce Wielkie, Польша				

ГАРАНТИЙНЫЕ ОБЯЗАТЕЛЬСТВА

При покупке или получении изделия проверяйте его целостность, комплектность и исправность, а также наличие инструкции по эксплуатации.

Условия гарантийного обслуживания

Гарантийный срок эксплуатации изделия составляет 12 (двенадцать) месяцев от даты продажи или получения при наличии товарного или кассового/фискального или транспортного документа с указанием даты продажи или получения изделия. Покупатель имеет право на гарантийный ремонт изделия в течение гарантийного срока, если оно вышло из строя из-за дефектов материалов или производства. Указанный выше гарантийный срок распространяется только на изделия, используемые в личных, семейных или домашних целях, не связанных с предпринимательской деятельностью.

Покупатель теряет право на гарантийный ремонт в случае:

- Нарушение правил установки и использования, приведенных в инструкции по эксплуатации.
- Использование изделия не по назначению.
- Неправильного подключения изделия к электросети.
- Если неисправности изделия вызваны неправильным хранением или механическими повреждениями во время транспортировки или использования.
- Если изделие имеет сильное загрязнение как внутреннее, так и внешнее, ржавчину.
- Если изделие имеет следы самостоятельного вскрытия/ремонта или подвергалось конструктивным изменениям.
- Если использование прибора продолжалось после появления неисправности и не было прекращено.
- Наличия посторонних предметов, жидкостей, веществ или насекомых внутри изделия.
- Если с изделия удалена маркировочная этикетка/табличка.
- Нормального износа частей изделия вследствие чрезмерной эксплуатации. Равномерный износ деталей по отсутствию заводских дефектов не дает право на их замену по гарантии.
- Повреждений, вызванных стихийным бедствием (пожар, наводнение и т.д.) или бытовыми факторами (перегрузка, перепад напряжения, отключение электроэнергии и т.д.).

Гарантия не распространяется на лампы.

Наименование изделия:	
Модель:	
Дата продажи:	
Наименование продавца:	
Подпись продавца, печать (штамп) продавца:	
Комплектность изделия проверил/проверила, претензий не имею, с условиями гарантийного обслуживания согласен/согласна:	Подпись покупателя

Заполнять эту таблицу не нужно в случае наличия товарного или кассового/фискального либо транспортного документа с указанием даты продажи или получения изделия.